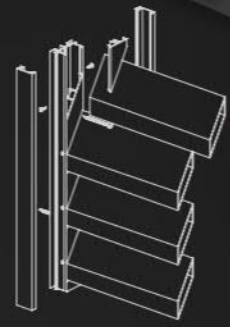
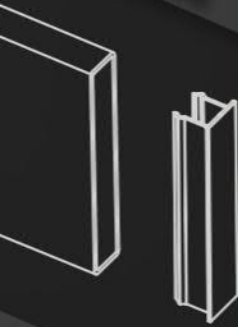


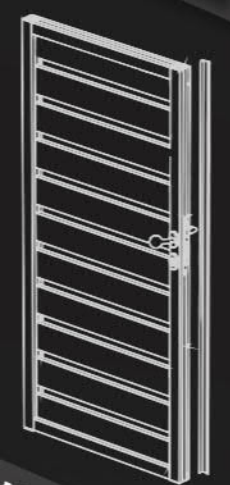
FENCE FIELDS



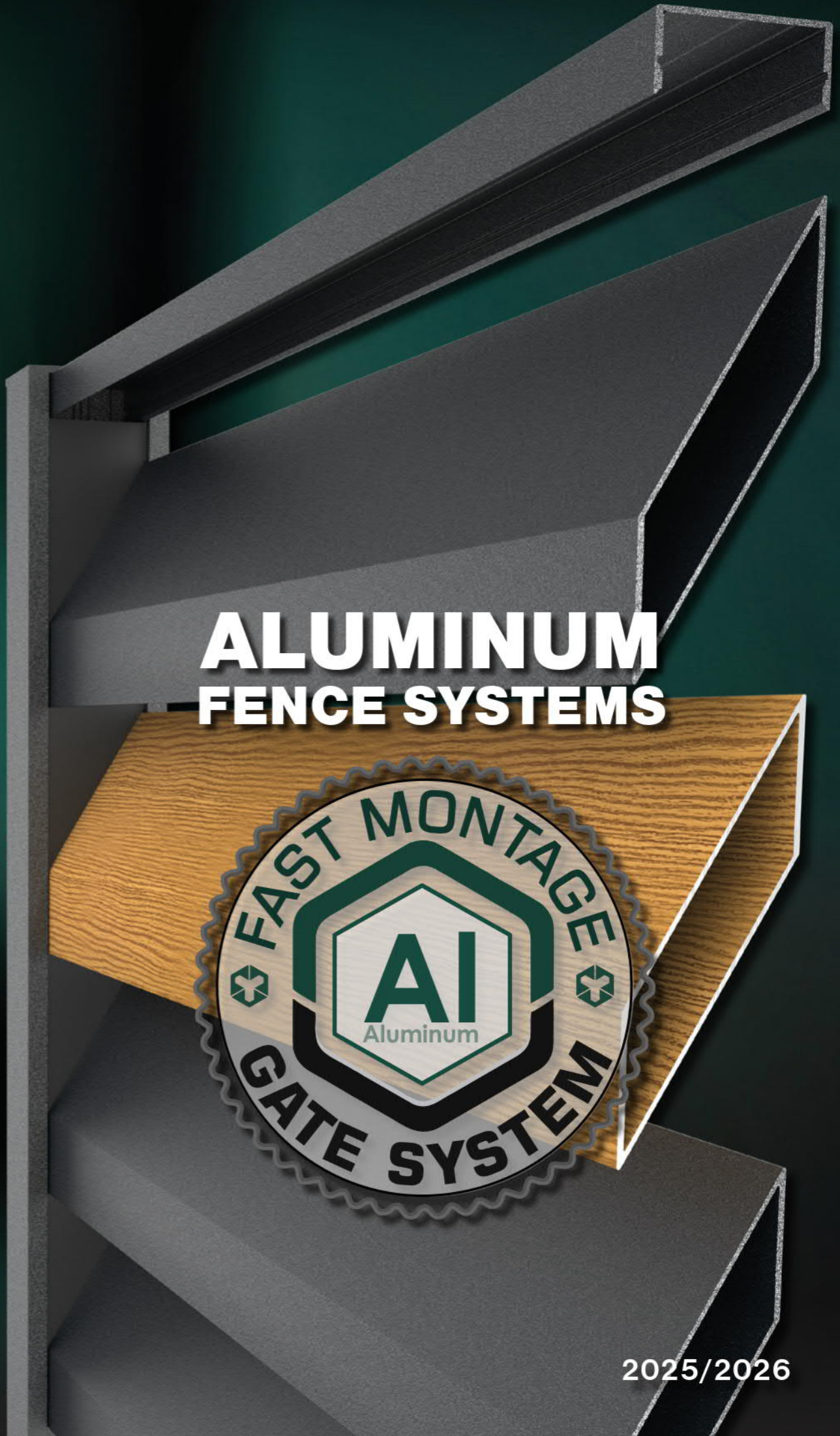
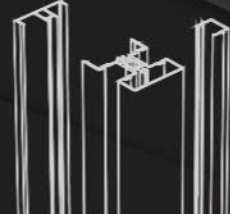
FENCE SLATS



GATE SYSTEMS



ADAPTERS & POSTS



# ALUMINUM FENCE SYSTEMS



2025/2026



Spoločnosť UMAKOV už viac ako 30 rokov vyrába a predáva komponenty pre nerezové a sklenené zábradlia. Spoločnosť má širokú sieť partnerov a pobočiek na Slovensku, v Českej republike, Poľsku a Maďarsku. Má vlastnú produkciu, obchod a administratívu na ploche viac ako 25 000 m<sup>2</sup>. Vysoká kvalita, rýchle doručenie, viac ako 5000 druhov komponentov na sklade a profesionálna technická podpora robí v súčasnosti z UMAKOV-u jedného z lídrov Európskeho trhu v predaji komponentov pre zábradlia. Naše portfólio obsahuje sklenené systémy, prístrešky, schody, brányové príslušenstvo a kované komponenty.



Przez ponad 30 lat firma UMAKOV produkuje i sprzedaje elementy ze stali nierdzewnej oraz składniki dla balustrad szklanych. Działalność firmy Umakov jest realizowana w ich własnych oddziałach oraz sieciach partnerów na Słowacji, w Czechach, Polsce i na Węgrzech. Firma posiada również własną produkcję, przestronne handlowe oraz administracyjne o łącznej powierzchni około 25.000 m<sup>2</sup>. Najwyższa jakość, szybka dostawa, ponad 5000 typów komponentów na magazynie oraz profesjonalne wsparcie techniczne sprawia z firmy UMAKOV jednego z liderów na rynku europejskim w sprzedaży elementów do balustrad nierdzewnych. Nasza oferta obejmuje również systemy szklane, zadaszenia, schody, bramy oraz elementy kute.



Az UMAKOV több, mint 30 éve gyárt és értékesít rozsdamentes acél-, és üvegorlát elemeket. Az UMAKOV üzleti tevékenységét saját leányvállalatain és partner hálózatain keresztül gyakorolja Szlovákiában, Csehországban, Lengyelországban és Magyarországon. A cég saját gyártási tevékenysége, kereskedelmi és adminisztratív központja mintegy 25 000 m<sup>2</sup> alapterületen helyezkedik el. Csúcs minőség, gyors szállítás, több, mint 5000 raktárkészleten lévő termék, valamint professzionális műszaki támogatás teszik az UMAKOV-ot ma Európa egyik vezető vállalatává a korlát elemek területén. Választékunkban megtalálhatók még üveg rendszerek, elötétők, lépcsők, kaputechnika és kovacsoltvas termékek.



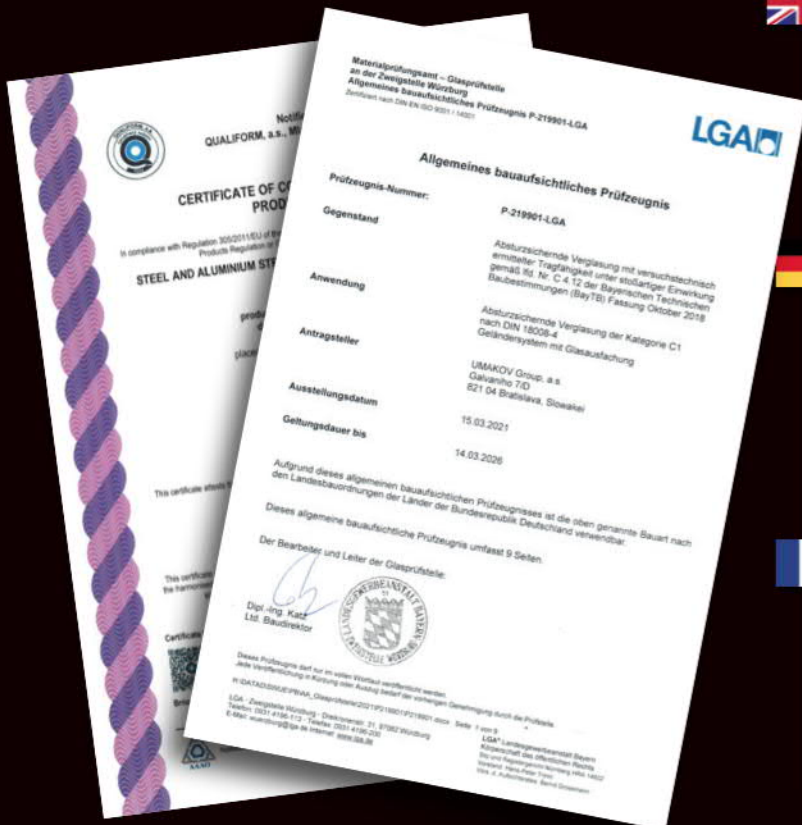
For over 30 years UMAKOV has produced and sold components for stainless steel and glass railings. Umakov business activities are carried out in their own branches and network of partners in Slovakia, Czech Republic, Poland and Hungary. Company also owns their own production, commercial and administrative spaces with total area of about 25 000 m<sup>2</sup>. Top quality, fast delivery, over 5000 types of components in stock and professional technical support makes UMAKOV today one of Europe's market leaders in railing components. Our portfolio also includes glass systems, canopies, stairs, gate accessories and forged components.

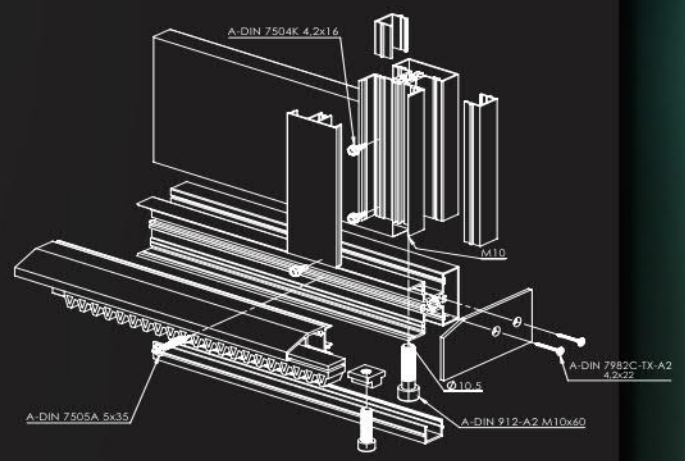
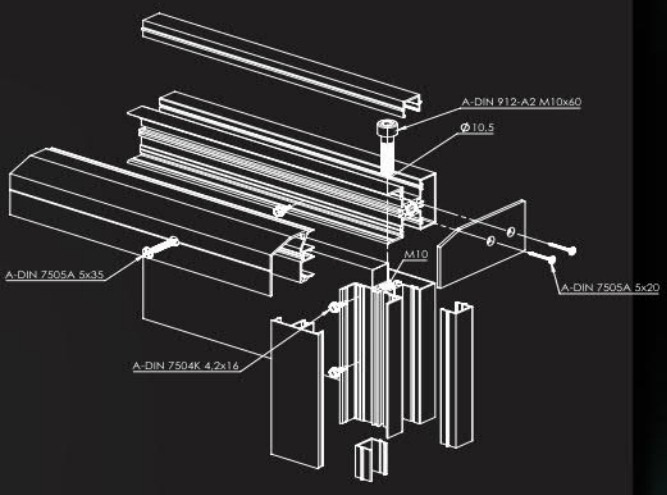
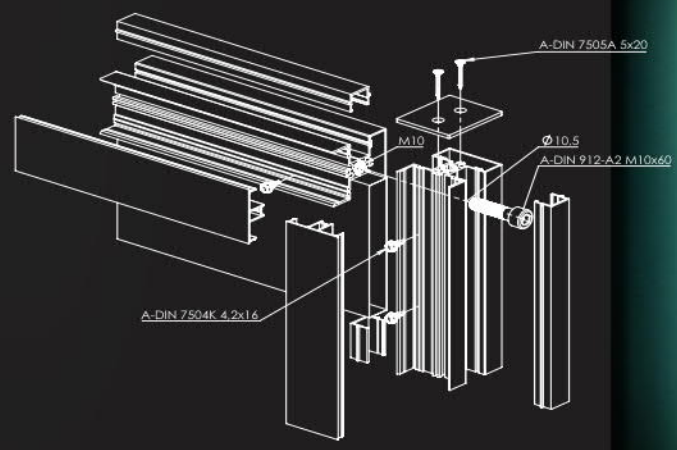
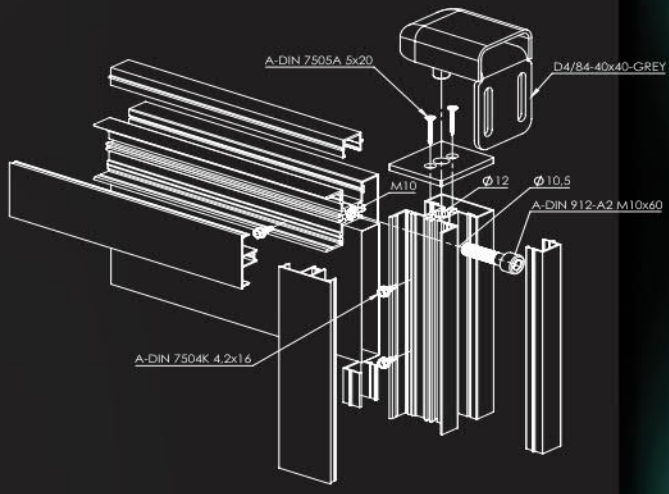


Firma UMAKOV produziert und verkauft die Komponente für Edelstahl- und Glasgeländer schon länger als 30 Jahren. UMAKOV hat Partnern und Filialen in der Slowakei, in der Tschechischen Republik, in Polen und Ungarn. Das Unternehmen verfügt über eigene Produktion, Geschäft und Betriebsverwaltung auf der Fläche von ca 25 000 m<sup>2</sup>. Hohe Qualität, schnelle Lieferung, mehr als 5000 Arten von Komponenten auf dem Lager und professionelle technische Unterstützung, das alles macht von UMAKOV einer der europäischen Marktführer im Verkauf von Komponenten für Geländer. Unser Portfolio umfasst Glassysteme, Vordachsysteme, Treppen, Tor Zubehör und Schmiedeteile.



Depuis plus de 30 ans UMAKOV produit et vend des composants pour les garde-corps inox et verre. La société UMAKOV dispose d'un réseau de filiales et partenaires en Slovaquie, République Tchèque, Pologne et Hongrie. Elle possède ses propres espaces de production, de vente, au sein de son siège administratif, d'une surface d'environ 25 000 m<sup>2</sup>. Haute qualité, livraison rapide, plus de 5000 types de composants en stock et une assistance technique professionnelle, font aujourd'hui d'UMAKOV un des leaders européens dans le secteur des composants de garde-corps. Notre gamme comprend également des systèmes en verre, auvents, escaliers, accessoires pour portails et pièces forgées.







# 1

## MODEL 20

FOR ALUMINUM FENCES

- DESIGN GALLERY
- INFILLS
- ADAPTERS
- FENCE/GATE SETS

4 - 33

# 2

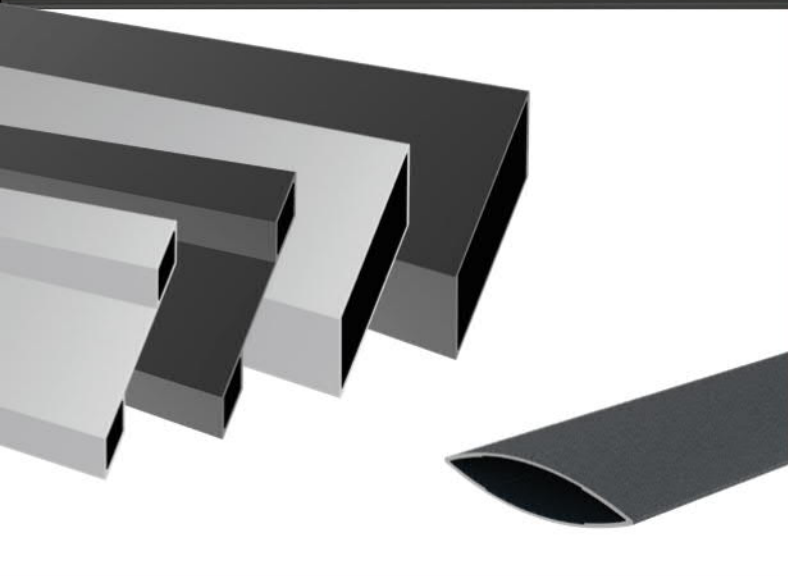
## MODEL 40

FOR ALUMINUM FENCES

- DESIGN GALLERY
- INFILLS
- ADAPTERS
- FENCE SETS



34 - 43



# 3

## MODEL 46

FOR ALUMINUM FENCES

- DESIGN GALLERY
- INFILLS
- ADAPTERS
- FENCE SETS

44 - 49

# 4

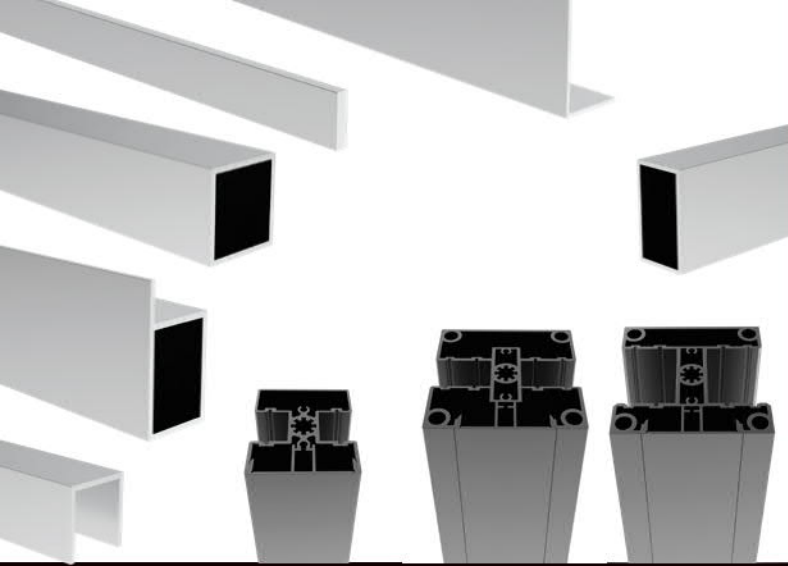
## FACADES

ALUMINUM

- FLEX SYSTEM
- FLEX VARIO SYSTEM
- APPLICATIONS



50 - 53



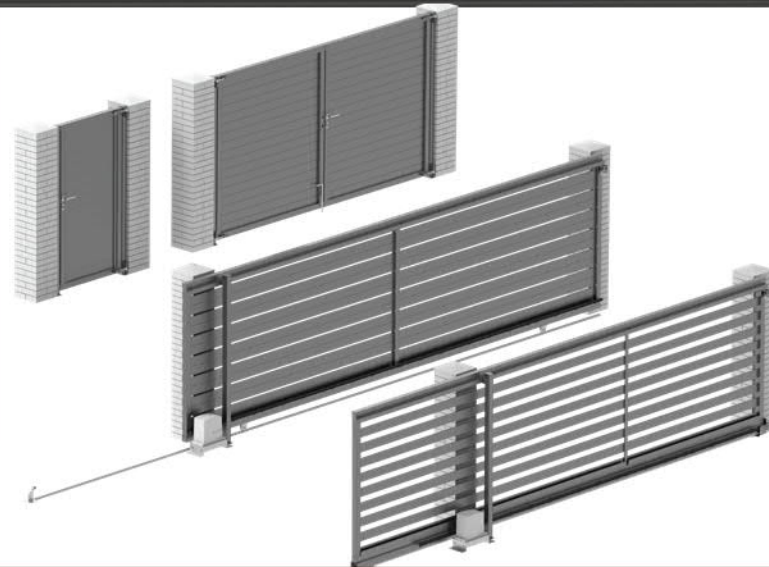
# 5 POSTS

- MODEL 20
- MODEL 40
- 50x60
- 60x80
- 70x70
- 80x80

54 - 65

# 6 GATES

- SINGLE SWING GATE - SSG
- DOUBLE SWING GATE - DSG
- ROLLING GATE - RLG
- CANTILEVER GATE - CLG



66 - 93



# 7 FENCE & GATE ACCESSORIES

- GATE DRIVES
- FRAME PROFILES
- HINGES, LOCKS, DOOR HANDLES
- GATE STOPPERS, BOLTS
- RACKS, WHEELS
- SUPPORT BRACE CHANNEL + LED

94 - 119

# 8 REALIZATIONS

- DESIGN GALLERY



120 - 134

# 1

## MODEL 20 FOR ALUMINUM FENCES



**W01**  
WALNUT

**W02**  
LIGHT  
OAK

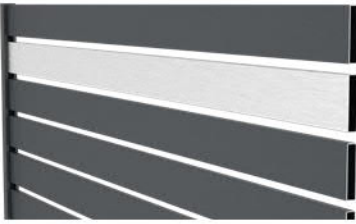
**INOX**

**RAL 7016**

**RAL 9006**

**RAL 9005**





## DESIGN GALLERY

MODEL 20



## INFILLS

MODEL 20

- 20F (full system)
- 20S (standard system)
- 20L (louver 20mm)
- 20/8 (louver 8mm)
- 20P (panel system)
- 20PV (solar system)
- 20V (vertical system)



## ADAPTERS

MODEL 20



DISASSEMBLED

## FENCE/GATE SETS

- MODEL AIR
- MODEL L1S
- MODEL L2S

**01S**

SLAT dimension	art.
20x120	FG/S20x120-2000-R7016
20x100	A/20x100x0,8-6000

**INOX** **RAL 7016**

**02S**

SLAT dimension	art.
20x120	FG/S20x120-2000-R7016
	FG/S20x120x1,2-6000-W01

**W01 WALNUT** **RAL 7016**

**05S**

SLAT dimension	art.
20x120	FG/S20x120-2000-R7016
20x40	FG/S20x40-2000-R7016

**RAL 7016**

**06S**

SLAT dimension	art.
20x120	FG/S20x120-2000-R7016
20x40	A/20x40x0,6-6000

**INOX** **RAL 7016**

**09S**

SLAT dimension	art.
20x120	FG/S20x120-2000-R7016
20x20	FG/S20x20-2000-R7016
	A/20x20x0,4-6000

**INOX** **RAL 7016**

**10S**

SLAT dimension	art.
20x120	FG/S20x120-2000-R7016
20x20	A/20x20x0,4-6000

**INOX** **RAL 7016**



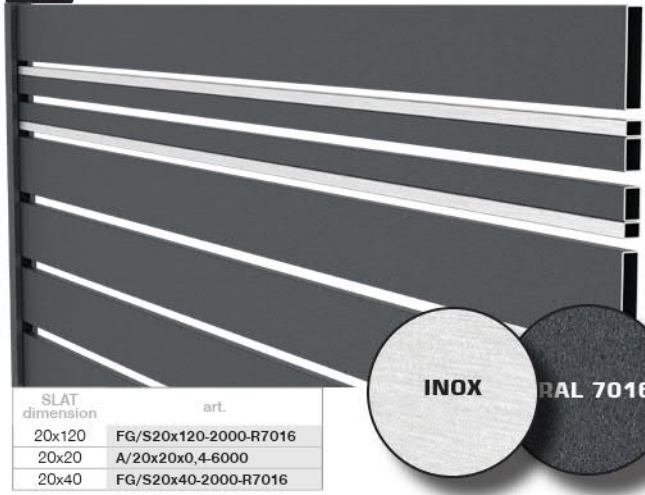
03S



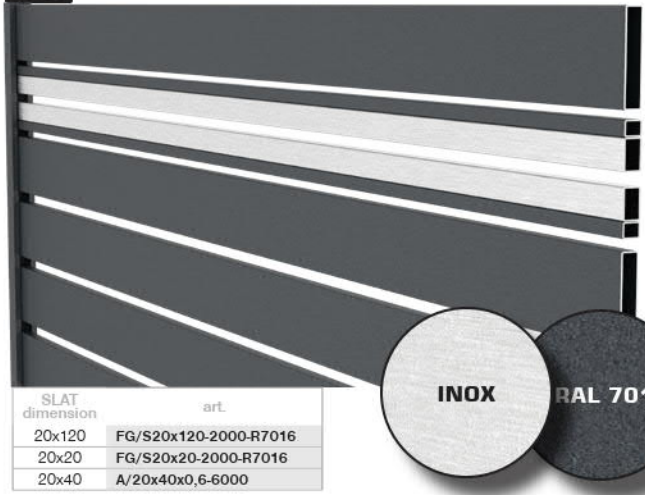
04S



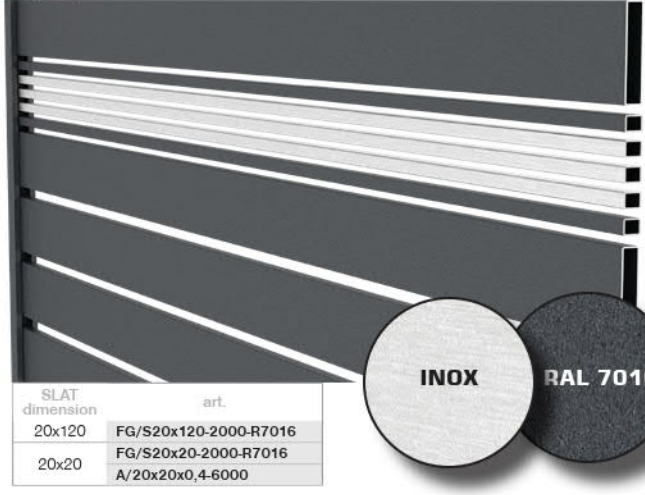
07S



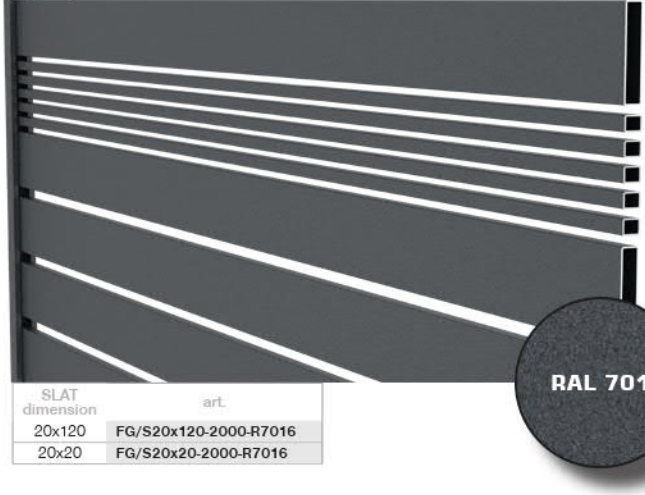
08S



11S



12S



**01F**

**ELOX** **RAL 7016**

SLAT dimension	art.
20x160	FG/S20x160-2000-R7016
20x120	FG/S20x120x1,2-6000-W01

**02F**

**W01 WALNUT** **RAL 7016**

SLAT dimension	art.
20x160	FG/S20x160-2000-R7016
20x120	FG/S20x120x1,2-6000-W01

**05F**

**RAL 8017** **RAL 7016**

SLAT dimension	art.
20x160	FG/S20x160-2000-R7016
20x100	FG/S20x100x1-6000-R8017

**06F**

**RAL 9005** **RAL 7016**

SLAT dimension	art.
20x160	FG/S20x160-2000-R7016
20x100	FG/S20x100x1-6000-R9005

**09F**

**INOX** **RAL 7016**

SLAT dimension	art.
20x160	FG/S20x160-2000-R7016
20x20	A/20x20x0,4-6000

**10F**

**RAL 9006** **RAL 7016**

SLAT dimension	art.
20x120	FG/S20x120x1,3-2000-R9006
20x20	FG/S20x20-2000-R7016

03F



SLAT dimension	art.
20x120	FG/S20x120x1,3-2000-R9006
20x100	FG/S20x100x1-6000-R8017



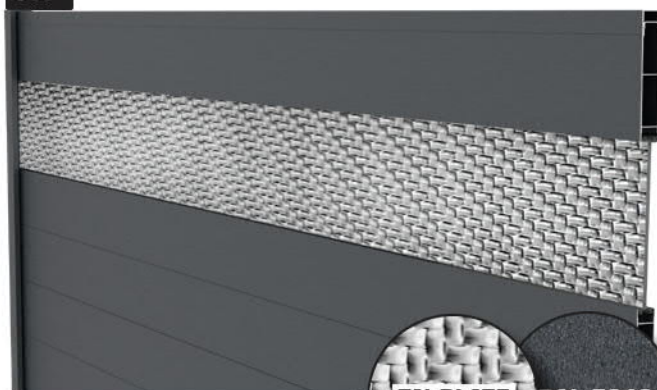
04F



SLAT dimension	art.
20x120	FG/S20x120x1,3-2000-R9006
20x100	FG/S20x100x1-6000-R9005



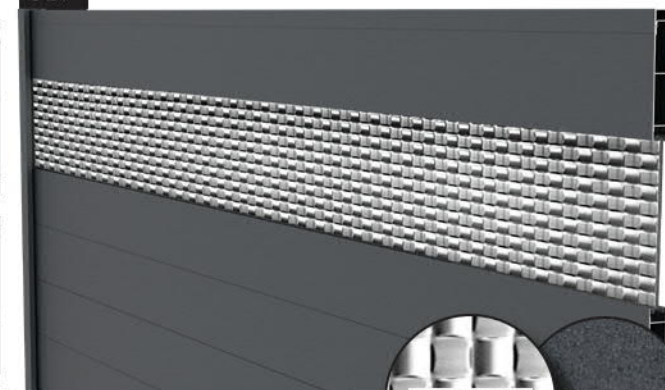
07F



SLAT dimension	art.
20x120	FG/F20x120-2000-R7016
20x27	FG/FC-2000-R7016
2000x1000x1,2	FG/PS01-100x200-1,2-Zn



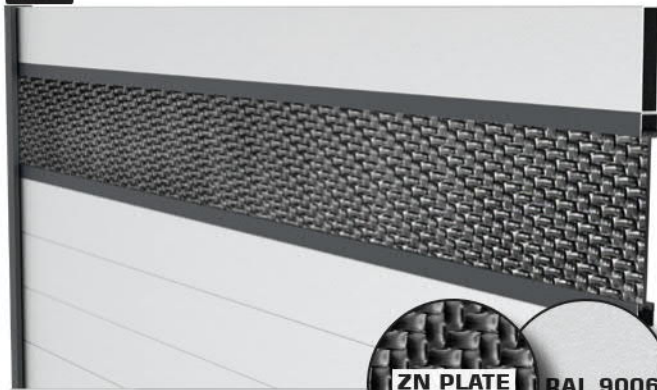
08F



SLAT dimension	art.
20x120	FG/F20x120-2000-R7016
20x27	FG/FC-2000-R7016
2000x1000x1,2	FG/PS03-100x200-1,2-Zn



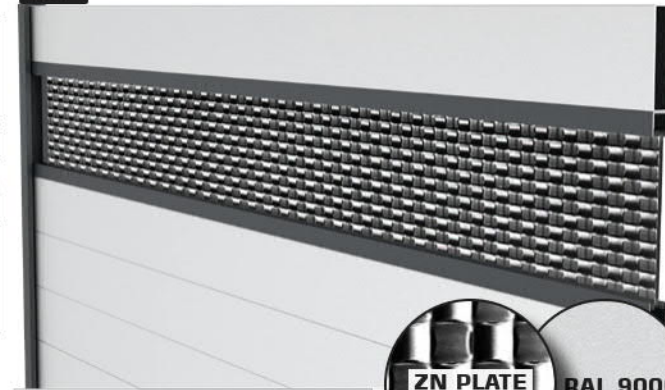
11F



SLAT dimension	art.
20x120	FG/S20x120x1,3-2000-R9006
20x27	FG/FC-2000-R7016
2000x1000x1,2	FG/PS01-100x200-1,2-Zn

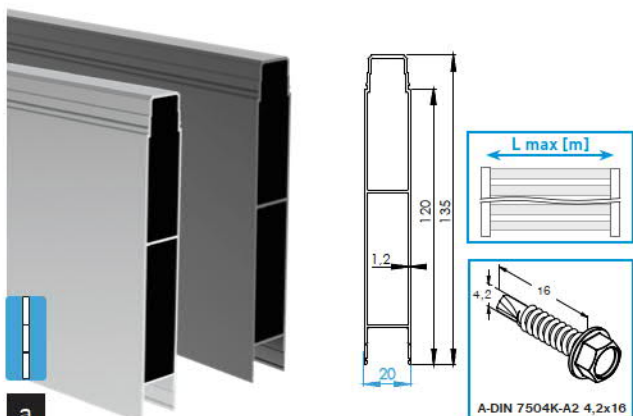


12F



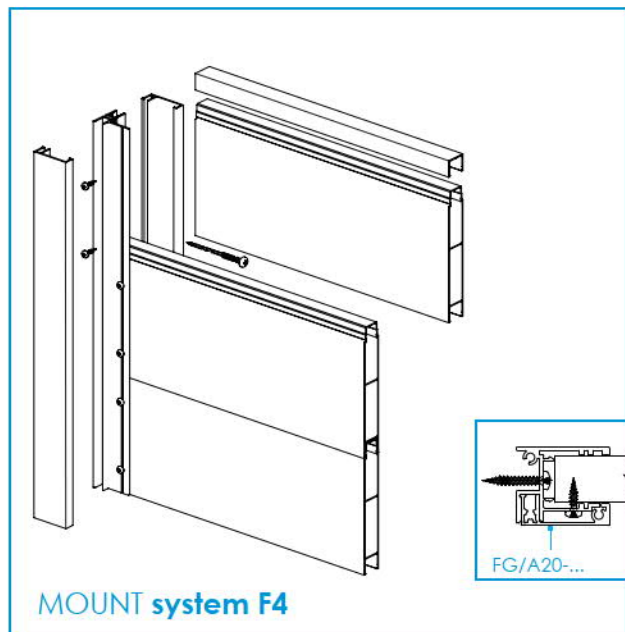
SLAT dimension	art.
20x120	FG/S20x120x1,3-2000-R9006
20x27	FG/FC-2000-R7016
2000x1000x1,2	FG/PS03-100x200-1,2-Zn





**a**

Material	Finish	Effect	art.	L	L max	MOUNT system
ALUMINIUM	matte	RAL 7016	FG/F20x120-2000-R7016	2000	3	F4
			FG/F20x120-6000-R7016	6000		
	natural	-	FG/F20x120-6000-N			

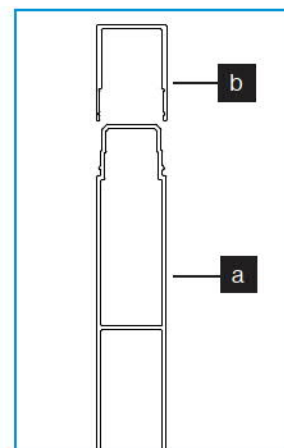


MOUNT system F4



**b**

Material	Finish	Effect	art.	L	MOUNT system
ALUMINIUM	matte	RAL 7016	FG/FC20-2000-R7016	2000	F4
			FG/FC20-6000-R7016	6000	
	natural	-	FG/FC20-6000-N		



RAL POWDER COATING WITH TEXTURE

R9005

NATURAL AL

NATURAL INOX

R7016

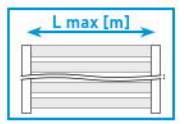
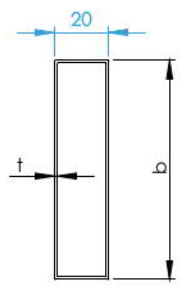
R8017

R9006

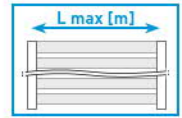
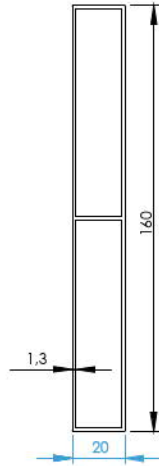
WOOD DECOR POWDER COATED SUBLIMATION FILMS

W01 - WALNUT

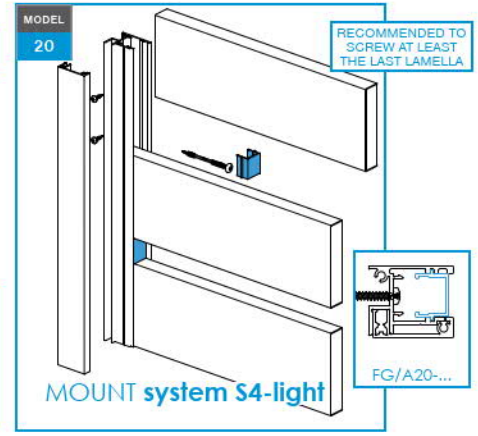
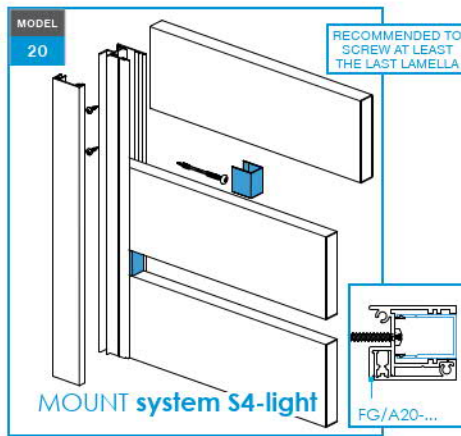
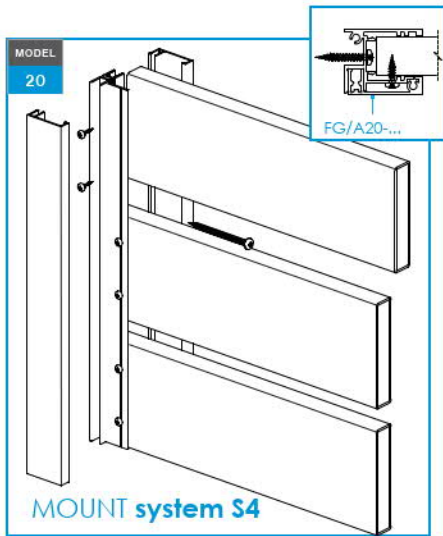
W02 - LIGHT OAK



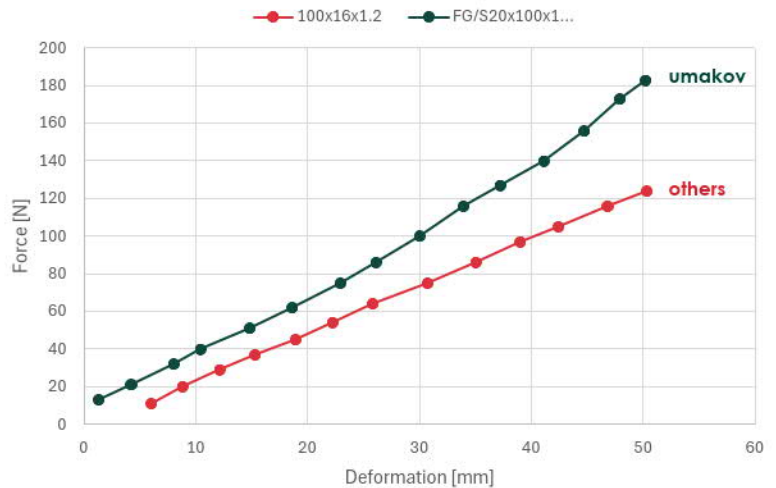
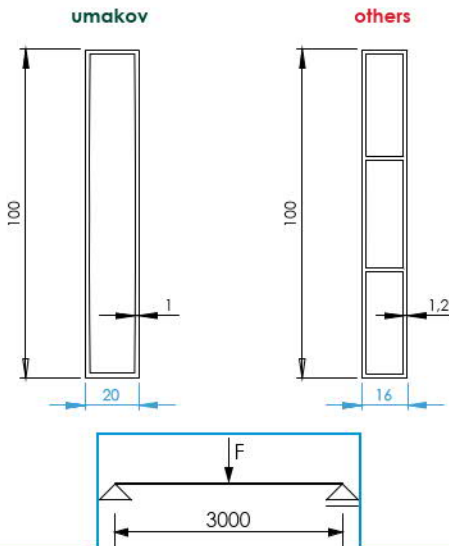
Material	Finish	art.	NATUR	R9006	R7016	R9005	R8017	W01	W02	L	b	t	L max	MOUNT system
ALUMINIUM	matte	FG/S20x10x1,5-6000-R9006		✓						6000	10			S4
		FG/S20x10x1,5-6000-R8017				✓								
	natural	FG/S20x20-2000-R7016			✓					2000	20	1,5	3	
		FG/S20x20-3000-R7016			✓				3000					
ALUMINIUM	matte	FG/S20x20-6000-N	✓							6000	30	0,4	2	
		FG/S20x20-6000-R7016			✓									
ALUMINIUM	matte	FG/S20x20-7000-R7016			✓					7000	30	1,5	3	
		FG/S20x30-2000-R7016			✓				2000					
ALUMINIUM	matte	FG/S20x30-3000-R7016			✓					3000	30	0,4	2	
		FG/S20x30-6000-N	✓							6000				
ALUMINIUM	matte	FG/S20x30-6000-R7016			✓					6000	40	1,2	3	
		FG/S20x30-7000-R7016			✓				7000					
ALUMINIUM	matte	FG/S20x40-2000-R7016			✓					2000	40	0,6	2	
		FG/S20x40-3000-R7016			✓				3000					
ALUMINIUM	matte	FG/S20x40-6000-N	✓							6000	60	1,2	3	
		FG/S20x40-6000-R7016			✓									
ALUMINIUM	matte	FG/S20x40-7000-R7016			✓					7000	60	0,6	2	
		AL/4376-1800-R7016			✓					1800				
ALUMINIUM	matte	AL/4376-6000-R7016			✓					6000	55	1,5	3	
		FG/S20x60-2000-R7016			✓				2000					
ALUMINIUM	matte	FG/S20x60-3000-R7016			✓					3000	60	1,2	3	
		FG/S20x60-6000-N								6000				
ALUMINIUM	matte	FG/S20x60-6000-R7016			✓					6000	60	0,6	2	
		FG/S20x60-7000-R7016			✓				7000					
ALUMINIUM	matte	FG/S20x80-2000-R7016			✓					2000	80	1,1	2,5	
		FG/S20x80-2500-R7016			✓				2500					
ALUMINIUM	matte	FG/S20x80-3000-R7016			✓					3000	80	0,8	2	
		FG/S20x80-6000-N	✓							6000				
ALUMINIUM	matte	FG/S20x80-6000-R7016			✓					6000	100	1,1	2,5	
		FG/S20x80-7000-R7016			✓				7000					
ALUMINIUM	matte	FG/S20x100x1,1-1000-R7016			✓					1000	100	1,1	2,5	
		FG/S20x100x1,1-2000-R7016			✓				2000					
ALUMINIUM	matte	FG/S20x100x1,1-2500-R7016			✓					2500	100	1,1	2,5	
		FG/S20x100x1,1-3000-R7016			✓				3000					
ALUMINIUM	matte	FG/S20x100x1,1-6000-N	✓								100	1,1	2,5	
		FG/S20x100x1,1-6000-R7016			✓									
ALUMINIUM	matte	FG/S20x100x1,1-6000-R8017					✓				100	1,1	2,5	
		FG/S20x100x1,1-6000-R9005				✓								
ALUMINIUM	matte	FG/S20x100x1,1-6000-R9006		✓							100	1,1	2,5	
		FG/S20x100x1,1-6000-W01						✓						
ALUMINIUM	matte	FG/S20x100x1,2-6000-W02							✓		100	1,2	3	
		FG/S20x100x1,2-6000-N	✓											
ALUMINIUM	matte	FG/S20x100x1,1-7000-R7016			✓					7000	120	1,1	2,5	
		FG/S20x100x1,1-7000-R7016			✓									
ALUMINIUM	matte	FG/S20x120x1,2-2000-R7016			✓					2000	120	1,2	3	
		FG/S20x120x1,2-2500-R7016			✓				2500					
ALUMINIUM	matte	FG/S20x120x1,2-3000-R7016			✓					3000	120	1,2	3	
		FG/S20x120x1,2-6000-N	✓											
ALUMINIUM	matte	FG/S20x120x1,2-6000-R7016			✓					6000	120	1,4	3	
		FG/S20x120x1,4-6000-W02							✓					
ALUMINIUM	matte	FG/S20x120x1,2-6000-W01						✓			120	1,2	3	
		FG/S20x120x1,2-7000-R7016			✓				7000					
ALUMINIUM	natural	FG/S20x200x1,9-6000-N	✓							6000	200	1,9		



Material	Finish	Effect	art.	L	L max	MOUNT system
ALUMINIUM	natural	RAL 7016	FG/S20x160-2000-R7016	2000	3	S4
		silver	FG/S20x160-3000-R7016	3000		
		RAL 7016	FG/S20x160-6000-N	6000		
		silver	FG/S20x160-6000-R7016	6000		
		RAL 7016	FG/S20x160-7000-R7016	7000		

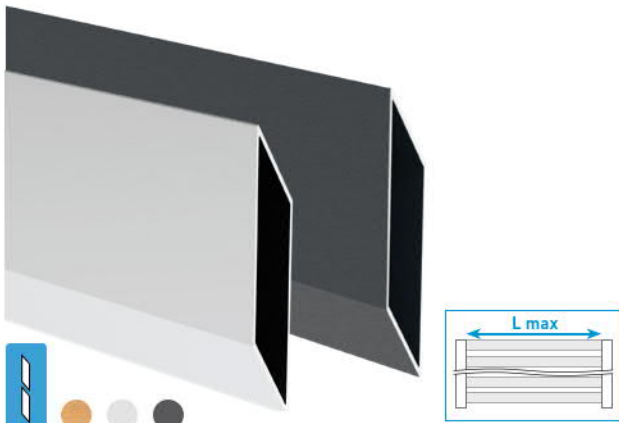


GREAT PERFORMANCE IN HEAVY LOAD TESTS

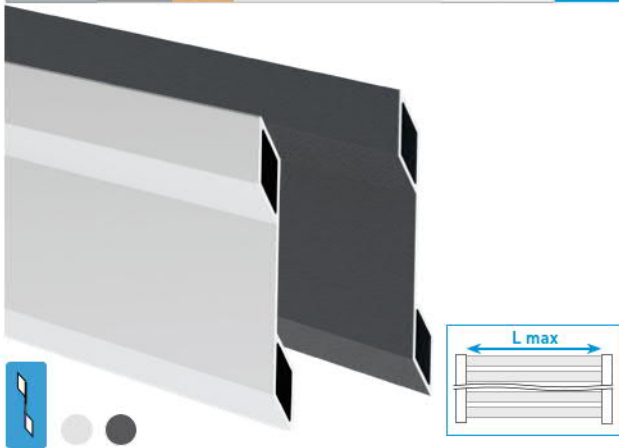


INFILLS

MODEL 20L



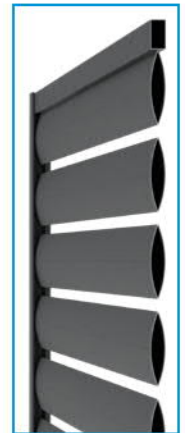
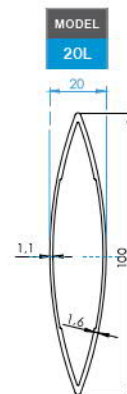
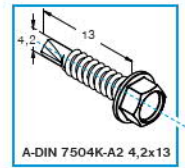
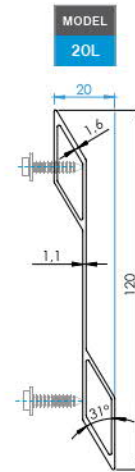
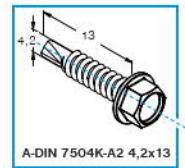
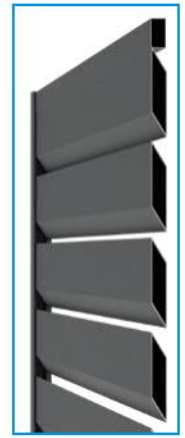
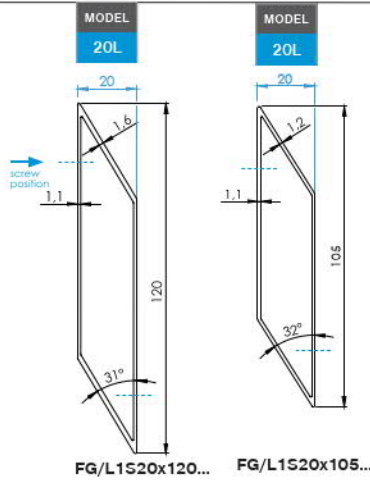
Material	Finish	Effect	art.	L	L max	MOUNT system
ALUMINIUM	matte	RAL 7016	FG/L1S20x120-2000-R7016	2000	2,5	L4
			FG/L1S20x120-3000-R7016	3000		
			FG/L1S20x120-6000-R7016	6000		
	natural	-	FG/L1S20x120-6000-N	7000		
			FG/L1S20x105-2000-R7016	2000		
	matte	RAL 7016	FG/L1S20x105-2500-R7016	2500		
			FG/L1S20x105-6000-R7016	6000		
			FG/L1S20x105-6000-W02			



Material	Finish	Effect	art.	L	L max	MOUNT system
ALUMINIUM	matte	RAL 7016	FG/L2S20x120-2000-R7016	2000	2	L4
			FG/L2S20x120-3000-R7016	3000		
			FG/L2S20x120-6000-R7016	6000		
	natural	-	FG/L2S20x120-6000-N	7000		
			FG/L2S20x120-7000-R7016			



Material	Finish	Effect	art.	L	L max	MOUNT system
ALUMINIUM	matte	RAL 7016	FG/O20x100-2000-R7016	2000	2,5	L4
			FG/O20x100-3000-R7016	3000		
			FG/O20x100-6000-R7016	6000		
	natural	-	FG/O20x100-6000-N	7000		
			FG/O20x100-7000-R7016			



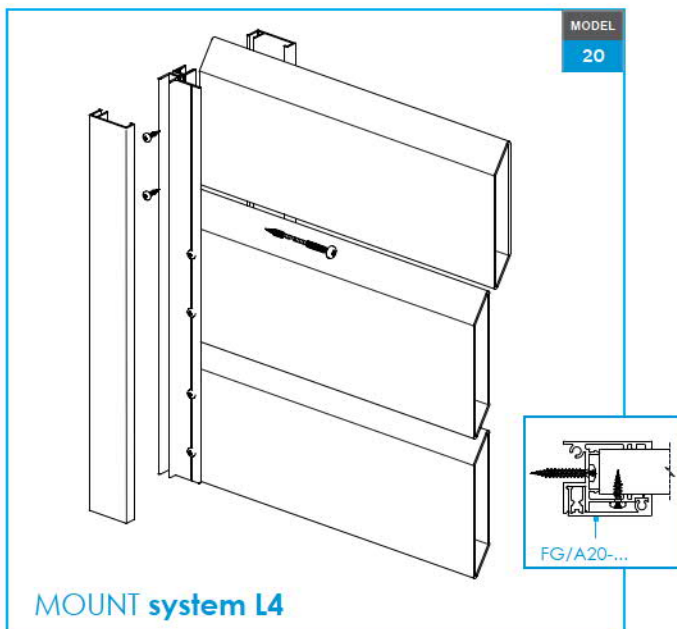
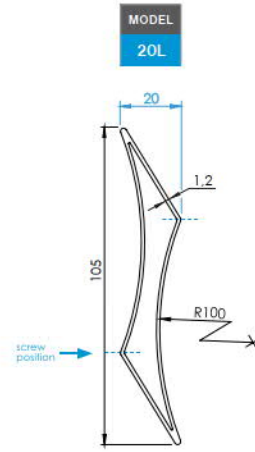
MOUNT system	A	B
L4	20	100

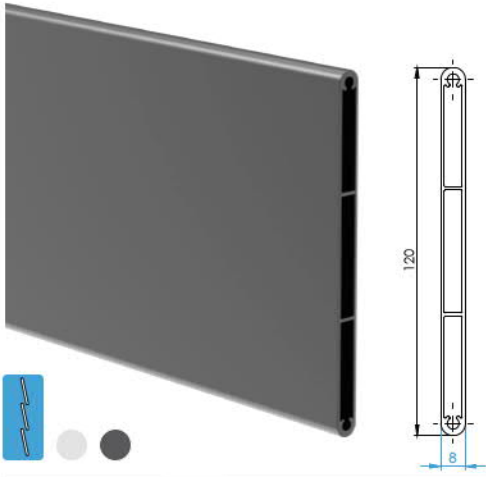
thermal expansion 0,02mm/1m/1°C



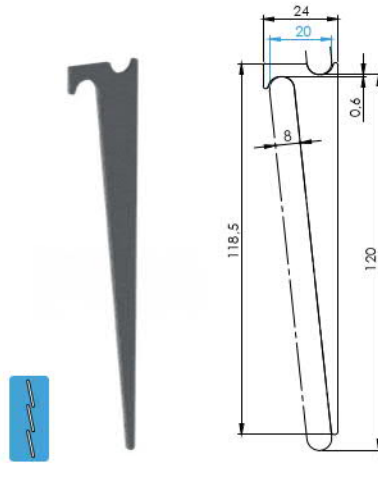


Material	Finish	Effect	art.	L	L max	MOUNT system
ALUMINIUM	matte	RAL 7016	FG/L1R20x105-6000-R7016	6000	2,5	L4
		RAL 8017	FG/L1R20x105-6000-R8017			
		RAL 9006	FG/L1R20x105-6000-R9006			
	natural	-	FG/L1R20x105-6000-N	7000		
		matte	RAL 7016		FG/L1R20x105-7000-R7016	
		natural	-		FG/L1R20x105-7000-N	



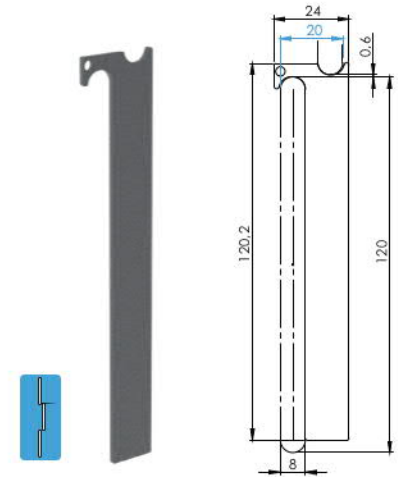


Material	Finish	Effect	art.	L
ALUMINIUM	matte	RAL 7016	FG/L8x120-2000-R7016	2000
		-	FG/L8x120-6000-R7016	6000
	natural	-	FG/L8x120-6000-N	



ALTERNATIVE 1

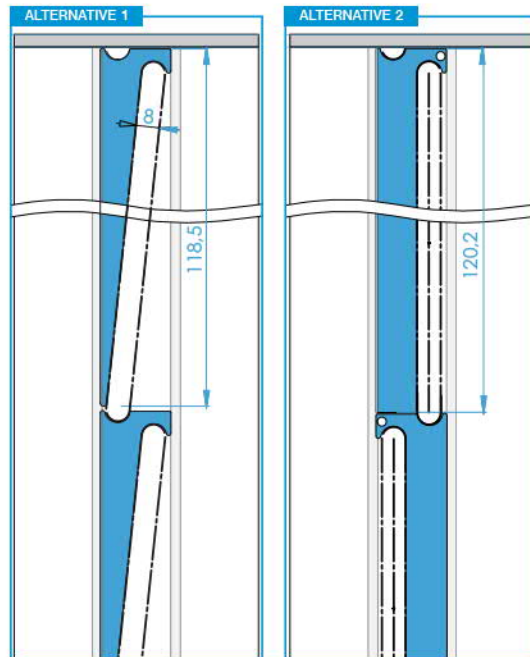
Material	Finish	Effect	art.
ALUMINIUM	matte	RAL 7016	FG/A8x120-R7016



ALTERNATIVE 2

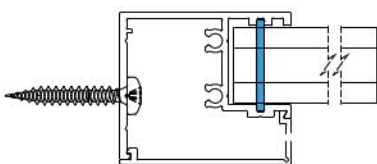
Material	Finish	Effect	art.
ALUMINIUM	matte	RAL 7016	FG/A8x120x2-R7016

LOUVRE-ATYP

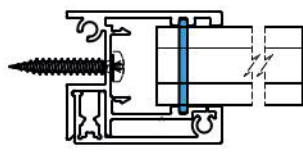


Post profile height	label count
979,5 mm	8x (n=7)
1098 mm	9x (n=8)
1216,5 mm	10x (n=9)
1335 mm	11x (n=10)
1453,5 mm	12x (n=11)
1572 mm	13x (n=12)
1690,5 mm	14x (n=13)
1809 mm	15x (n=14)

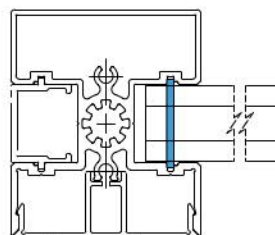
**height calculation formula**  
150+118,5n



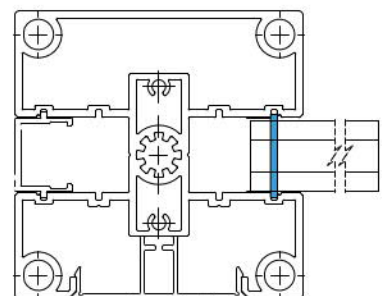
FG/AT16-...



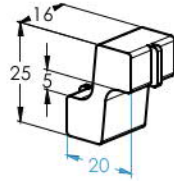
FG/A20-...



FG/FP50X60-...

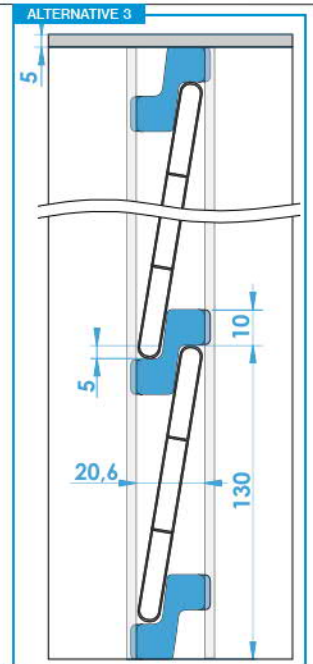


FG/FP80X80-...



ALTERNATIVE 3

Material	Effect	art.
PVC	RAL 7016	A19/2545-R7016

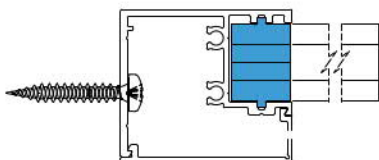


LOUVRE-ATYP

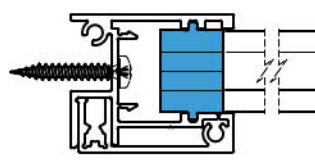


Post profile height	lamel count
1005 mm	8x (n=7)
1130 mm	9x (n=8)
1255 mm	10x (n=9)
1380 mm	11x (n=10)
1505 mm	12x (n=11)
1630 mm	13x (n=12)
1755 mm	14x (n=13)
1880 mm	15x (n=14)

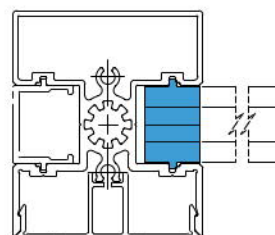
**height calculation formula**  
 $130+n(130-5)$



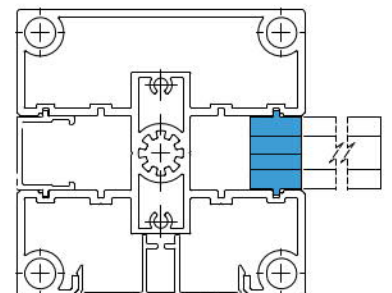
FG/AT16-...



FG/A20-...



FG/FP50X60-...



FG/FP80X80-...

Material	Finish	Effect	art.	t	MOUNT system	RUBBER SEALS * SOLD AS A PAIR
steel	Zn	-	FG/PS01-100x200-1,2-Zn	1,2	P7	A19/PC20x16-002-M

Material	Finish	Effect	art.	t	MOUNT system	RUBBER SEALS * SOLD AS A PAIR
steel	Zn	-	FG/PS03-100x200-1,2-Zn	1,2	P7	A19/PC20x16-002-M

Material	Finish	Effect	art.	t	MOUNT system	RUBBER SEALS * SOLD AS A PAIR
steel	Zn	-	FG/PS04-100x200-1,2-Zn	1,2	P7	A19/PC20x16-002-M

Material	Finish	Effect	art.	t	MOUNT system	RUBBER SEALS * SOLD AS A PAIR
steel	Zn	-	FG/PS05-100x200-1,2-Zn	1,2	P7	A19/PC20x16-002-M

Material	Finish	Effect	art.	t	MOUNT system	RUBBER SEALS * SOLD AS A PAIR
ALUMINIUM	natural	-	AL/1348-100x200-3-N	3	P7	A19/PC20x16-002-M

Material	Finish	Effect	art.	t	MOUNT system	RUBBER SEALS * SOLD AS A PAIR
ALUMINIUM	natural	-	AL/1762-100x200-3-N	3	P7	A19/PC20x16-002-M

**ZOOM 1000%**

1000  
2000  
wire size  
1.5x2 mm

**MAX SIZE** 1400x3500 mm  
(available only on request)

Material	Finish	Effect	art.	t	hole size	opening weight	MOUNT system
AISI304	satin	copper	FG/DM01-100x200x2	3,5	4x18 mm	42% 7kg/m <sup>2</sup>	P7

**ZOOM 1000%**

1000  
2000  
wire size  
1x2,5 mm

**MAX SIZE** 1400x3500 mm  
(available only on request)

Material	Finish	Effect	art.	t	hole size	opening weight	MOUNT system
AISI304	satin	copper	FG/DM02-100x200x2	2	2 mm	20% 9kg/m <sup>2</sup>	P7

**ZOOM 1000%**

1000  
2000  
well wire  
2x4 mm  
warp wire  
2 mm

**MAX SIZE** 1400x3500 mm  
(available only on request)

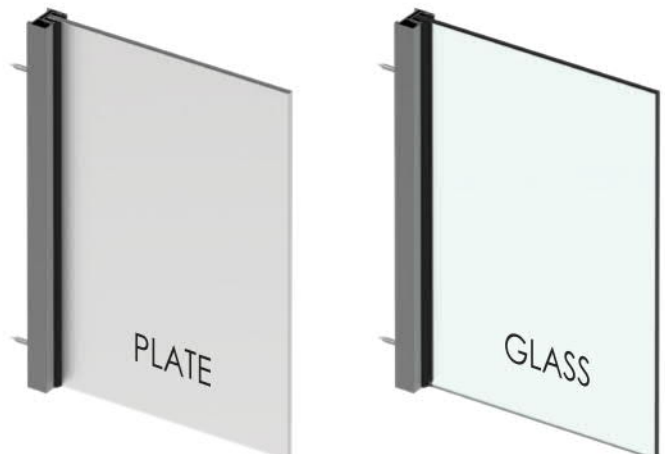
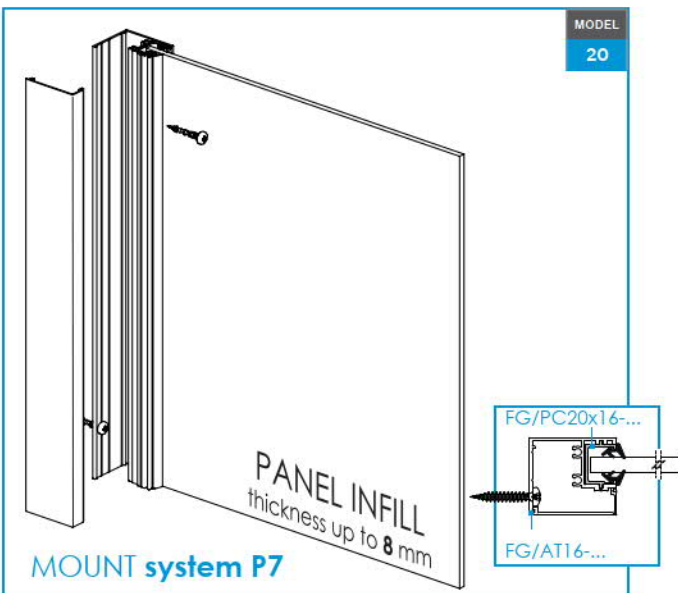
Material	Finish	Effect	art.	t	hole size	opening weight	MOUNT system
AISI304	natur	copper	FG/DM01-100x200x2	6	2 mm	0% 15kg/m <sup>2</sup>	P7

**ZOOM 1000%**

1000  
2000  
wire size  
1x7 mm

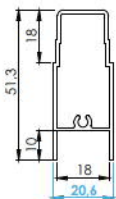
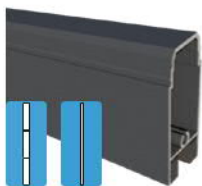
**MAX SIZE** 1400x3500 mm  
(available only on request)

Material	Finish	Effect	art.	t	hole size	opening weight	MOUNT system
AISI304	satin	copper	FG/DM04-100x200x2	2	1,8 mm	5% 12kg/m <sup>2</sup>	P7



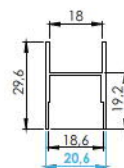
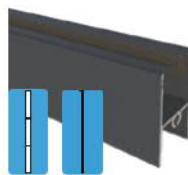
INFILLS MODEL 20P - PANEL SYSTEM

MODEL 20



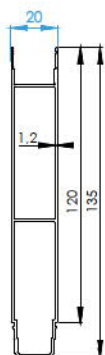
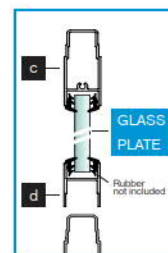
**c** GLASS PLATE

Material	Finish	Effect	art.	L	MOUNT system
ALUMINIUM	matte	RAL 7016	AL/4308-1800-R7016	1800	F4



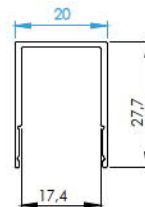
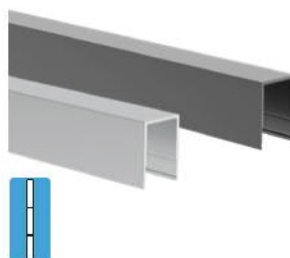
**d** GLASS PLATE

Material	Finish	Effect	art.	L	MOUNT system
ALUMINIUM	matte	RAL 7016	AL/4307-1800-R7016	1800	F4
			AL/4307-6000-R7016	6000	F4



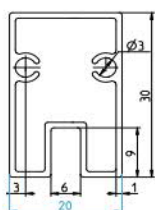
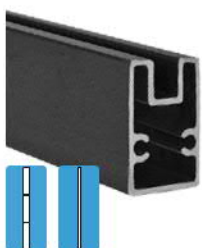
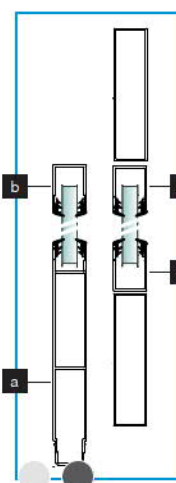
**a**

Material	Finish	Effect	art.	L	MOUNT system
ALUMINIUM	matte	RAL 7016	FG/F20x120-2000-R7016	2000	F4
			FG/F20x120-6000-R7016	6000	F4
	natural	-	FG/F20x120-6000-N		



**b**

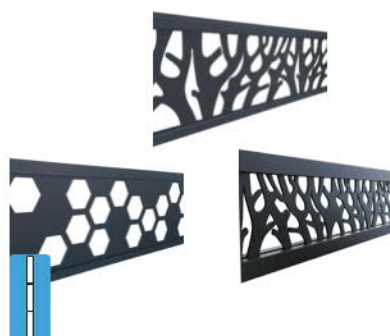
Material	Finish	Effect	art.	L	MOUNT system
ALUMINIUM	matte	RAL 7016	FG/FC20-2000-R7016	2000	F4
			FG/FC20-6000-R7016	6000	F4
	natural	-	FG/FC20-6000-N		



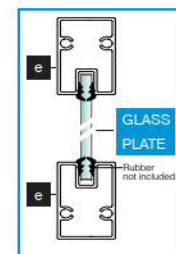
**e** GLASS PLATE

Material	Finish	Effect	art.	MOUNT system
ALUMINIUM	matte	RAL 7016	YDG03AL02-1850/7016-G	F4

top aluminium bar



Material	Finish	Effect	art.	MOUNT system
ALUMINIUM	matte	RAL 7016	YDG08AL04-1830x0250/7016G	F4
			YDG08AL02-1830x0250/7016G	F4
			YDG08AL02-1830x0125/7016G	F4





RUBBER SEALS INFILL (t=1-8 mm)



Material	Finish	art.	L	t	MOUNT system
Rubber	black	A19/PC20x16-001-M	m*	1	PV, P7

\* SOLD AS A PAIR



Material	Finish	art.	L	t	MOUNT system
Rubber	black	A19/PC20x16-002-M	m*	2	PV, P7

\* SOLD AS A PAIR



Material	Finish	art.	L	t	MOUNT system
Rubber	black	A19/PC20x16-004/006-M	m*	4-5	PV, P7

\* SOLD AS A PAIR



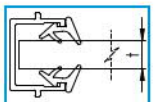
Material	Finish	art.	L	t	MOUNT system
Rubber	black	A19/PC20x16-006-M	m*	6	PV, P7

\* SOLD AS A PAIR



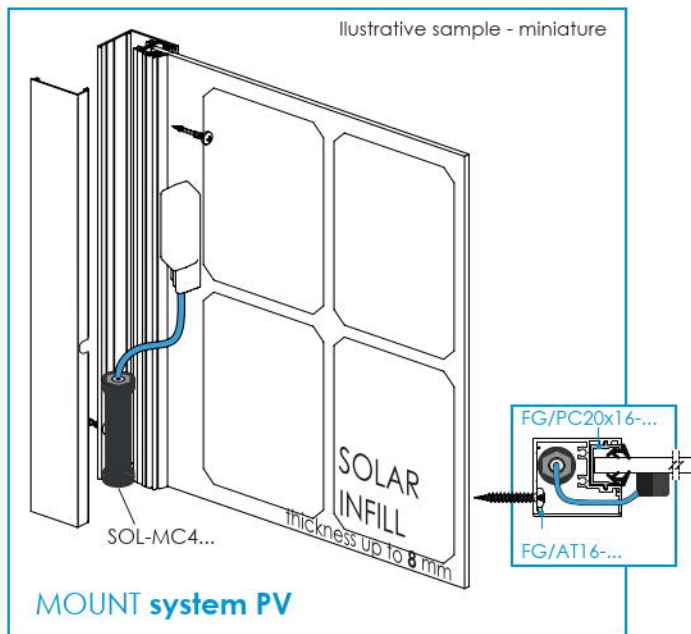
Material	Finish	art.	L	t	MOUNT system
Rubber	black	A19/PC20x16-008-M	m*	8	PV, P7

\* SOLD AS A PAIR



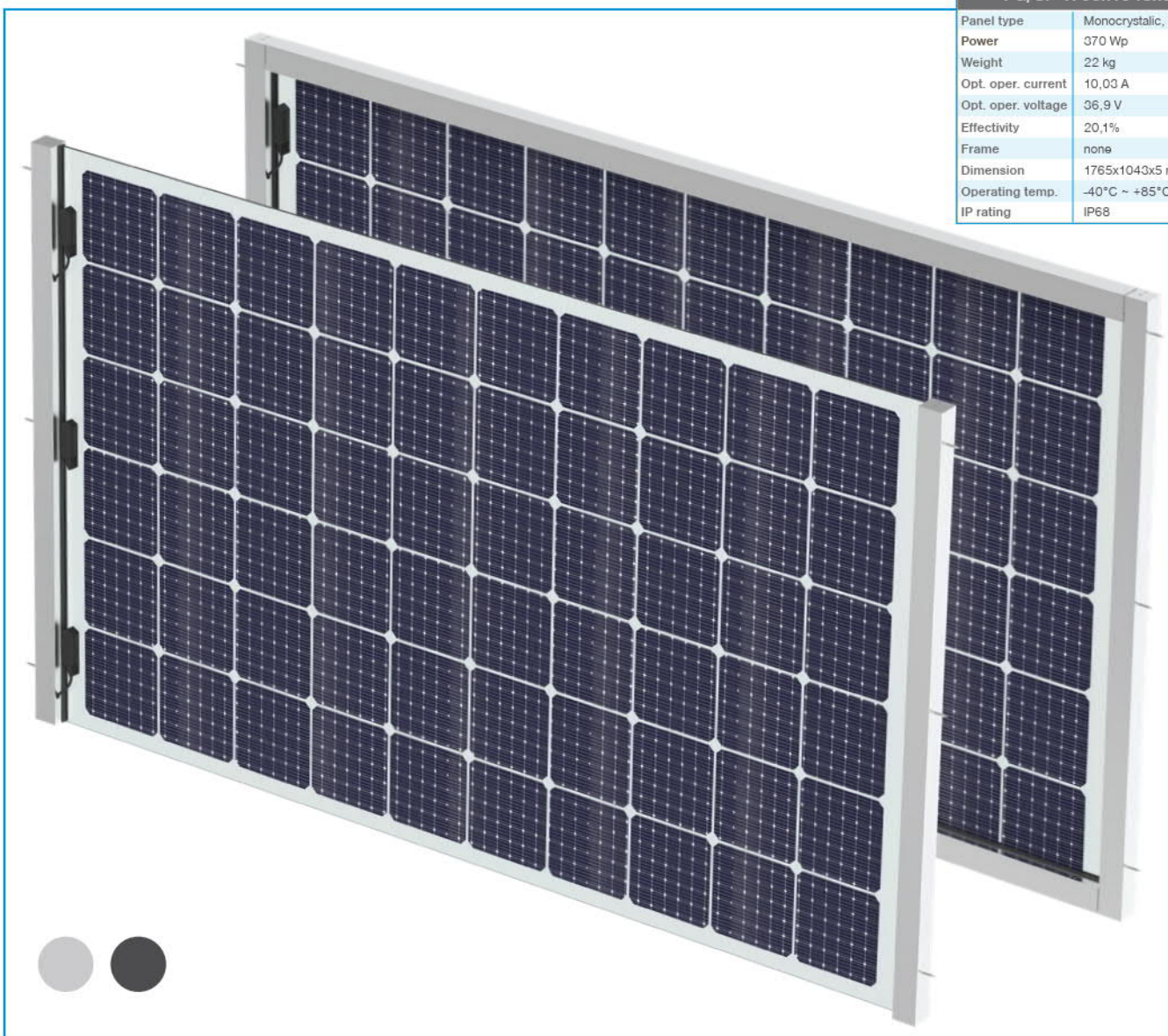


Illustrative sample - miniature

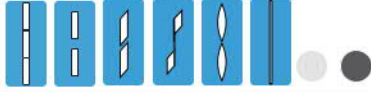
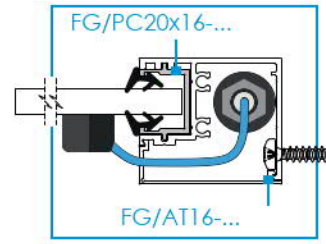
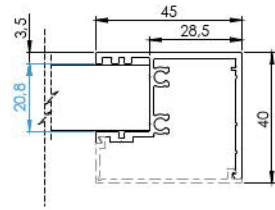


Material	use	Effect	art.	t	MOUNT system
GLASS	SOLAR	grain structure	SOL-AGORA-B60-370	5	PV

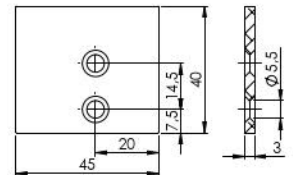
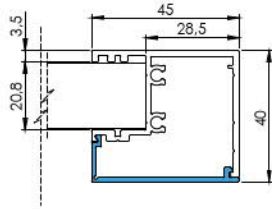
FG/SP-1765x1043x5	
Panel type	Monocrystalline, bifacial
Power	370 Wp
Weight	22 kg
Opt. oper. current	10,03 A
Opt. oper. voltage	36,9 V
Effectivity	20,1%
Frame	none
Dimension	1765x1043x5 mm
Operating temp.	-40°C ~ +85°C
IP rating	IP68





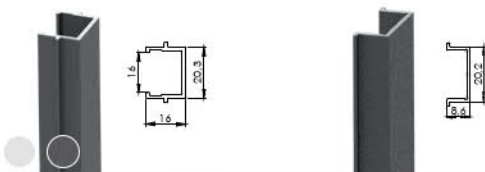
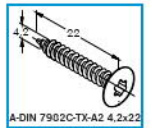


Material	Finish	Effect	art.	L	Mount system
ALUMINIUM	matte	RAL 7016	FG/AT16-1850-R7016	1850	PV, P7
		-	FG/AT16-6000-R7016	6000	
	natural	-	FG/AT16-6000-N		



Material	Finish	Effect	art.	L
ALUMINIUM	matte	RAL 7016	FG/AF45x14-1850-R7016	1850
		-	FG/AF45x14-6000-R7016	6000
	natural	-	FG/AF45x14-6000-N	

Material	Finish	Effect	art.
ALUMINIUM	matte	RAL 7016	FG/CA45x40-R7016

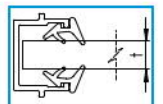


Material	Finish	Effect	art.	L
ALUMINIUM	matte	RAL 7016	FG/PC20x16-20-R7016	20
			FG/PC20x16-50-R7016	50
			FG/PC20x16-1850-R7016	1850
			FG/PC20x16-6000-R7016	6000
			FG/PC20x8-20-R7016	20
			FG/PC20x8-50-R7016	50
	natural	-	FG/PC20x8-2000-R7016	2000
			FG/PC20x8-2000-N	

*new*  
*new*  
*new*  
*new*  
*new*

Material	Finish	art.	L	t	Mount system
Rubber	black	A19/PC20x16-004/006-M	m	4-5	PV, P7

\* SOLD AS A PAIR



color	art.	žila	L(m)
red	SOL-H1Z2Z2-K 1x4 red	1x	100
black	SOL-H1Z2Z2-K 1x4 black	4mm	
red	SOL-H1Z2Z2-K 1x6 red	1x	100
black	SOL-H1Z2Z2-K 1x6 black	6mm	



art. SOL-MC4-EVO2-F



art. SOL-MC4-EVO2-M

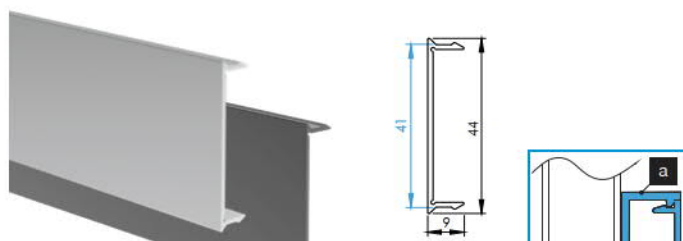


art. SOL-MC4-TOOL



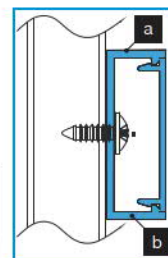
**a** ● ●

Material	Finish	Effect	art.	L
ALUMINIUM	matte	RAL 7016	FG/AL40U-1850-R7016	1850
		-	FG/AL40U-6000-R7016	6000
	natural	-	FG/AL40U-6000-N	6000



**b** ● ●

Material	Finish	Effect	art.	L
ALUMINIUM	matte	RAL 7016	FG/AL40U-1850-R7016	1850
		-	FG/AL40U-6000-R7016	6000
	natural	-	FG/AL40U-6000-N	7000



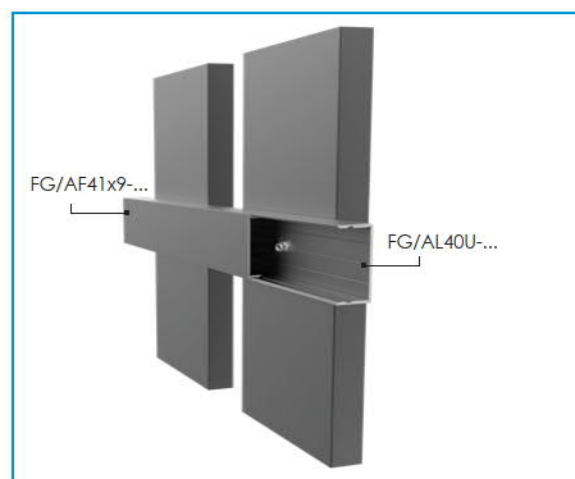
● ●

Material	Finish	Effect	art.	L
ALUMINIUM	matte	RAL 7016	FG/AL20U-6000-R7016	6000
		-	FG/AL20U-6000-N	6000



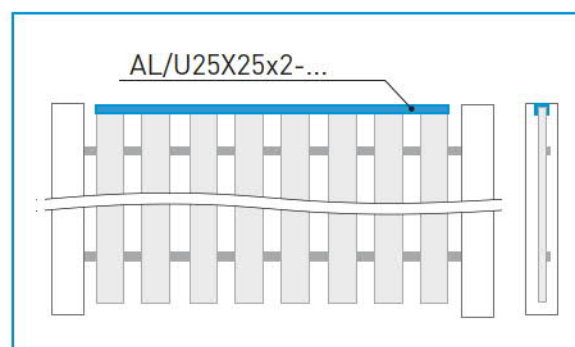
● ●

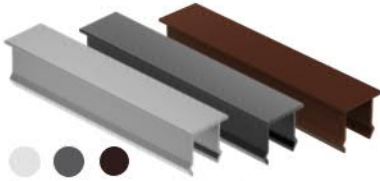
Material	Finish	Effect	art.	L
ALUMINIUM	matte	RAL 7016	FG/PC20x9-6000-R7016	6000
		-	FG/PC20x9-6000-N	6000



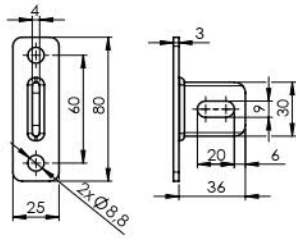
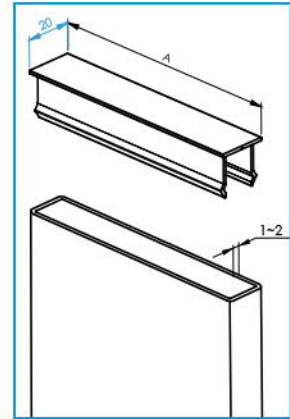
● ●

Quality	Finish	Effect	art.	a	t	L
ALUMINIUM	natural	-	AL/U25x25x2-6000	25	2	6000

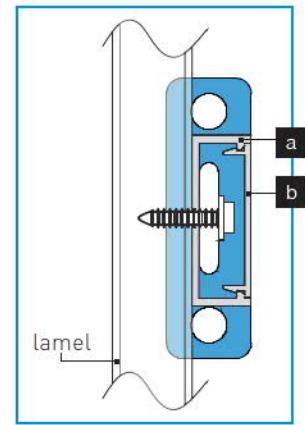




Quality	Finish	Effect	art.	A
ALUMINIUM	matte	RAL 7016	FG/SC20x20-R7016	20
			FG/SC20x45-R7016	45
			FG/SC20x50-R7016	50
			FG/SC20x60-R7016	60
			FG/SC20x80-R7016	80
			FG/SC20x100-R7016	
		RAL 8017	FG/SC20x100-R8017	100
		RAL 9006	FG/SC20x100-R9006	
		RAL 7016	FG/SC20x120-R7016	120



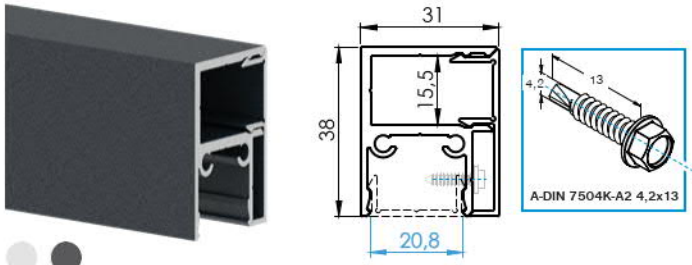
Material	Finish	Effect	art.
steel	Zn	RAL 9005	B2/01-80x25-R9005
		raw	B2/01-80x25



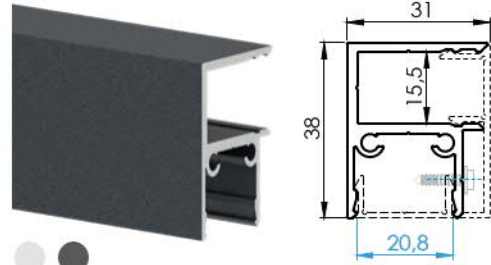
Quality	Finish	Effect	art.
ALUMINIUM	natural	-	FG/BP60x30-01-N



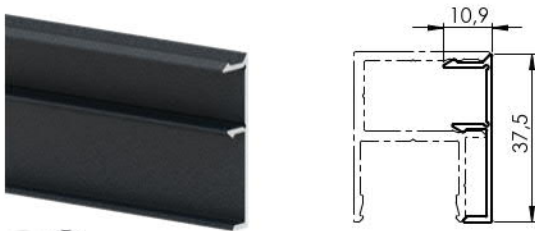
Quality	Finish	Effect	art.
ALUMINIUM	natural	-	FG/BP60x30-02-N



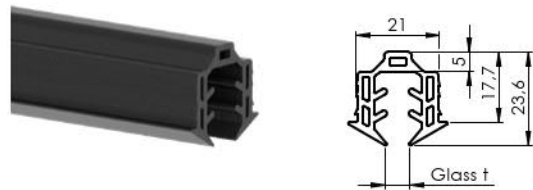
Material	Finish	Effect	art.	L
ALUMINIUM	natural	-	FG/A20G-6000-N	6000
	satin	INOX	FG/A20G-6000-S-VA	
	matte	RAL 7016	FG/A20G-6000-R7016	



Material	Finish	Effect	art.	L
ALUMINIUM	natural	-	FG/AS20G-6000-N	6000
	satin	INOX	FG/AS20G-6000-S-VA	
	matte	RAL 7016	FG/AS20G-6000-R7016	



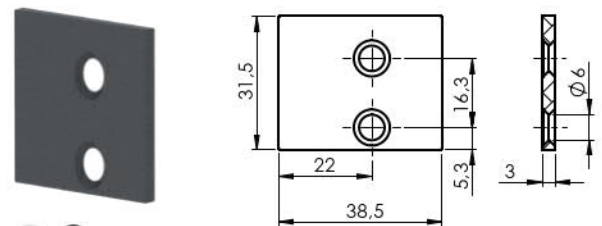
Material	Finish	Effect	art.	L
ALUMINIUM	natural	-	FG/AF20G-6000-N	6000
	satin	INOX	FG/AF20G-6000-S-VA	
	matte	RAL 7016	FG/AF20G-6000-R7016	



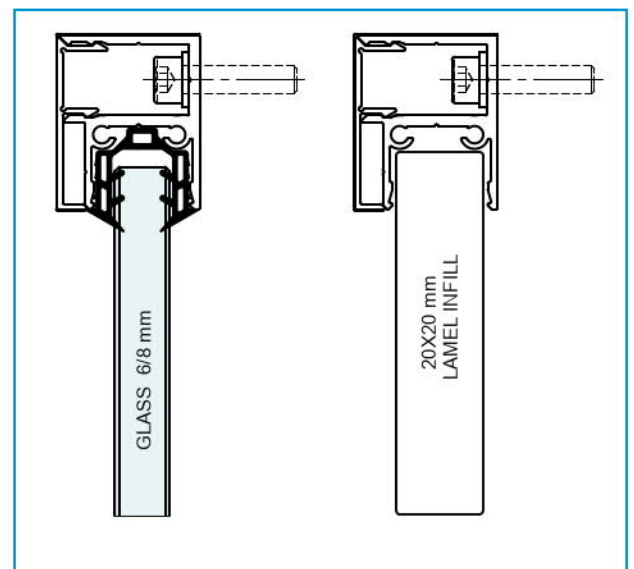
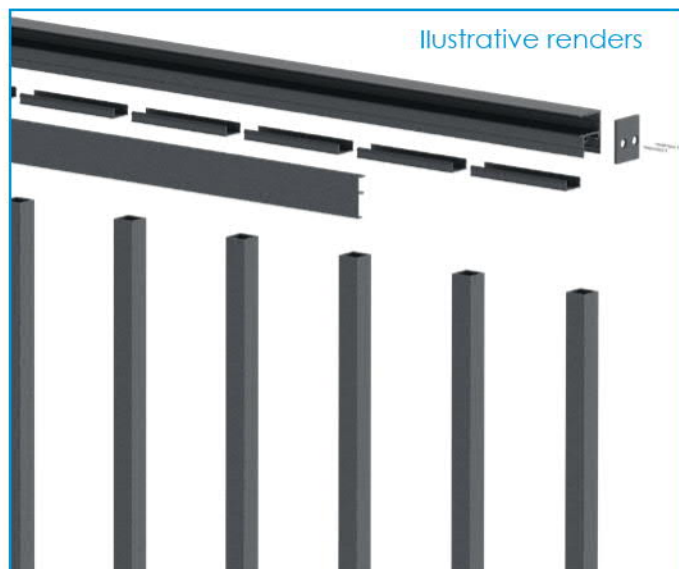
Material	Finish	Effect	art.	t	L
Rubber	black			6	M
				8	



Material	Finish	Effect	art.	L
ALUMINIUM	natural	-	FG/PC20x9-6000-N	6000
	satin	INOX	FG/PC20x9-6000-S-VA	
	matte	RAL 7016	FG/PC20x9-6000-R7016	



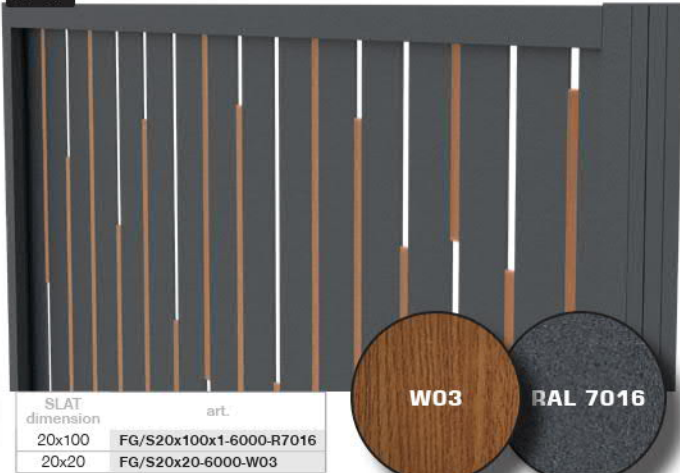
Material	Finish	Effect	art.	L
ALUMINIUM	natural	-	FG/CA31x38-N	6000
	satin	INOX	FG/CA31x38-S-VA	
	matte	RAL 7016	FG/CA31x38-R7016	



01V



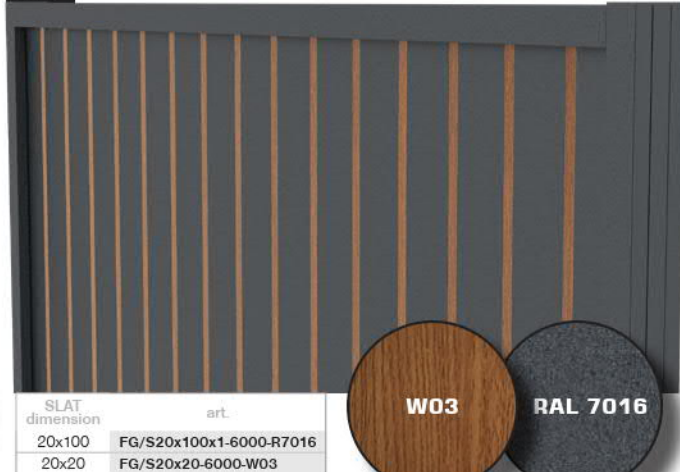
02V



03V



04V



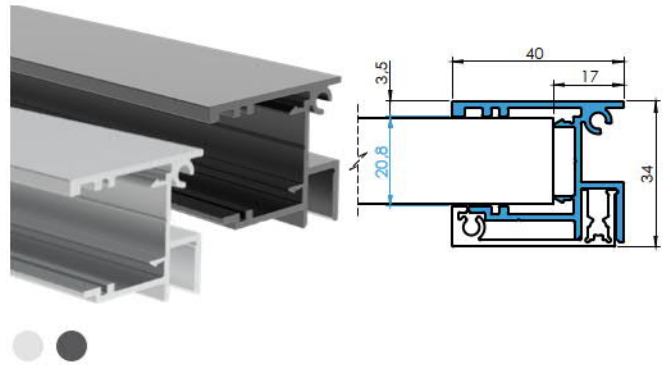
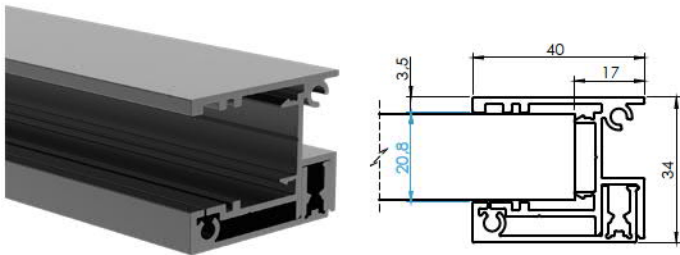
05V



06V

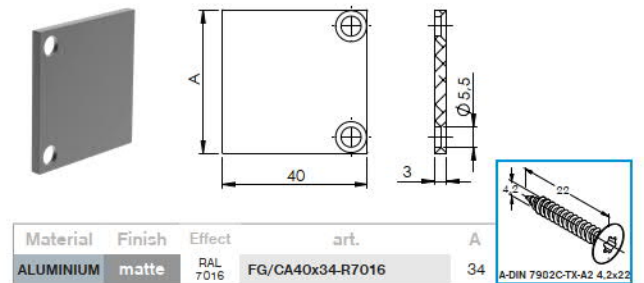
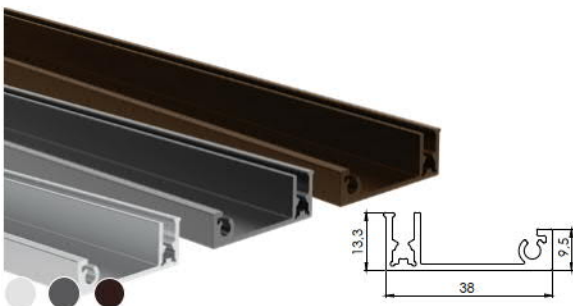


ADAPTER PROFILE MODEL 20 ...



Material	Finish	Effect	art.	L	MOUNT system
ALUMINIUM	matte	RAL 7016	FG/A20-1200-R7016	1200	S4 S4-light
			FG/A20-1500-R7016	1500	
			FG/A20-1700-R7016	1700	

Material	Finish	Effect	art.	L	MOUNT system
ALUMINIUM	matte	RAL 7016	FG/AS20-6000-R7016	6000	S4 S4-light
	natural	-	FG/AS20-6000-N		



Material	Finish	Effect	art.	L
ALUMINIUM	matte	RAL 7016	FG/A2F20x14-6000-R7016	6000
		RAL 8017	FG/A2F20x14-6000-R8017	
	natural	-	FG/A2F20x14-6000-N	

Material	Finish	Effect	art.	A
ALUMINIUM	matte	RAL 7016	FG/CA40x34-R7016	34



Material	Finish	Effect	art.	L	MOUNT system
ALUMINIUM	matte	RAL 7016	FG/FC20-20-R7016	20	S4, S4-light, L2-vario
			FG/FC20-50-R7016	50	
			FG/FC20-100-R7016	100	
			FG/FC20-2000-R7016	2000	
			FG/FC20-6000-R7016	6000	
			natural	-	

MODEL 20

FG/A20-...

FG/A20-...

MOUNT system S4-light



Material	Finish	Effect	art.	L
ALUMINIUM	matte	RAL 7016	FG/PC20x16-20-R7016	20
			FG/PC20x16-50-R7016	50
			FG/PC20x16-1850-R7016	1850
			FG/PC20x16-6000-R7016	6000
			FG/PC20x8-20-R7016	20
			FG/PC20x8-50-R7016	50
	FG/PC20x8-2000-R7016	2000		
	natural	-	FG/PC20x8-2000-N	2000

*new*

*new*

*new*

*new*

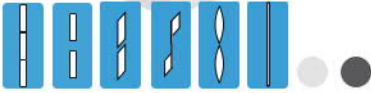
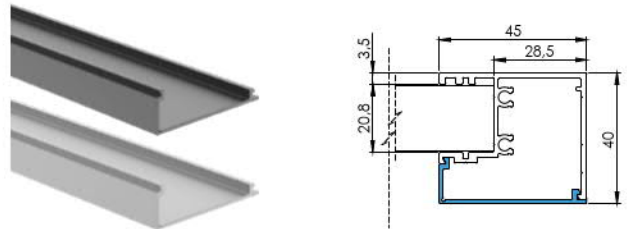
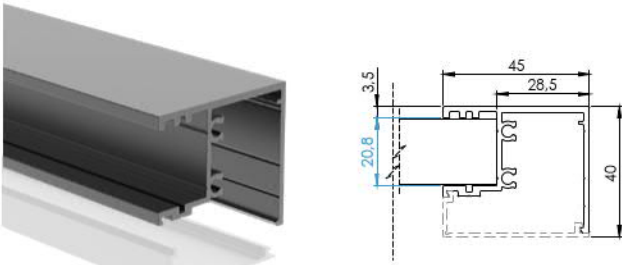
MODEL 20

FG/A20-...

FG/A20-...

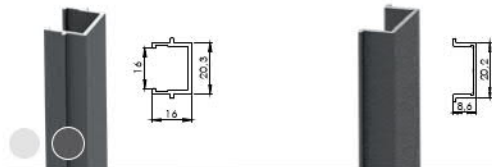
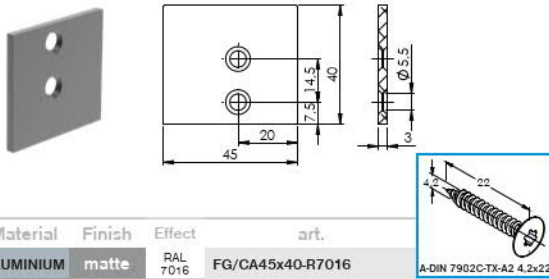
MOUNT system S4-light

ADAPTER PROFILE MODEL 20 ...



Material	Finish	Effect	art.	L	MOUNT system
ALUMINIUM	matte	RAL 7016	FG/AT16-1850-R7016	1850	PV, P7
			FG/AT16-6000-R7016	6000	
	natural	-	FG/AT16-6000-N		

Material	Finish	Effect	art.	L	MOUNT system
ALUMINIUM	matte	RAL 7016	FG/AF45x14-1850-R7016	1850	PV, P7
			FG/AF45x14-6000-R7016	6000	
	natural	-	FG/AF45x14-6000-N		



Material	Finish	Effect	art.	L	MOUNT system
ALUMINIUM	matte	RAL 7016	FG/CA45x40-R7016		

Material	Finish	Effect	art.	L	MOUNT system
ALUMINIUM	matte	RAL 7016	FG/PC20x16-20-R7016	20	new new new new
			FG/PC20x16-50-R7016	50	
			FG/PC20x16-1850-R7016	1850	
			FG/PC20x16-6000-R7016	6000	
			FG/PC20x8-20-R7016	20	
			FG/PC20x8-50-R7016	50	
			FG/PC20x8-2000-R7016	2000	
			natural	-	

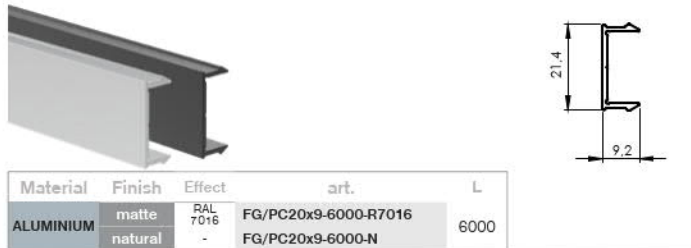
ADAPTER PROFILE MODEL 20 ...



Material	Finish	Effect	art.	L	MOUNT system
ALUMINIUM	natural	-	AL/U25x25x2-6000	6000	

Material	Finish	Effect	art.	L	MOUNT system
ALUMINIUM	matte	RAL 7016	FG/AL20U-6000-R7016	6000	
	natural	-	FG/AL20U-6000-N		

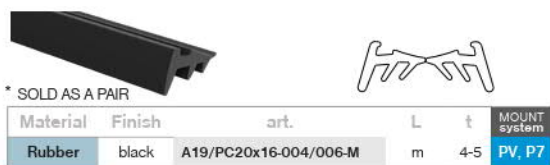
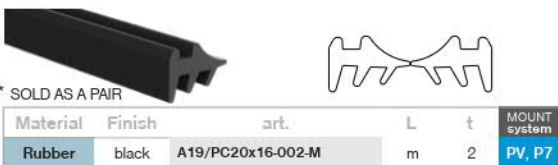
RUBBER SEALS INFILL (t=1-8 mm)



\* SOLD AS A PAIR

Material	Finish	art.	L	t	MOUNT system
Rubber	black	A19/PC20x16-001-M	m	1	PV, P7

Material	Finish	Effect	art.	L	MOUNT system
ALUMINIUM	matte	RAL 7016	FG/PC20x9-6000-R7016	6000	
	natural	-	FG/PC20x9-6000-N		

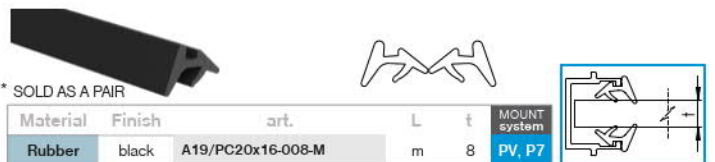
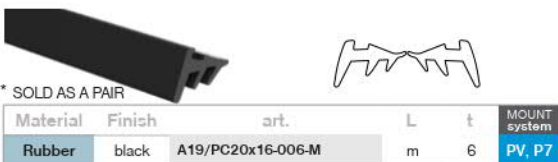


\* SOLD AS A PAIR

Material	Finish	art.	L	t	MOUNT system
Rubber	black	A19/PC20x16-002-M	m	2	PV, P7

\* SOLD AS A PAIR

Material	Finish	art.	L	t	MOUNT system
Rubber	black	A19/PC20x16-004/006-M	m	4-5	PV, P7



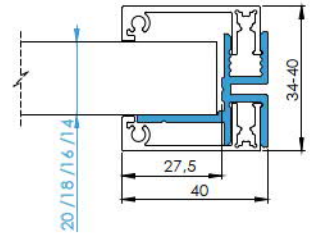
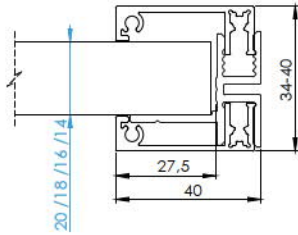
\* SOLD AS A PAIR

Material	Finish	art.	L	t	MOUNT system
Rubber	black	A19/PC20x16-006-M	m	6	PV, P7

\* SOLD AS A PAIR

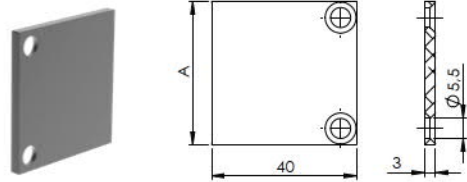
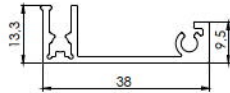
Material	Finish	art.	L	t	MOUNT system
Rubber	black	A19/PC20x16-008-M	m	8	PV, P7

ADAPTER PROFILE MODEL 20 / 18 / 16 / 14 ... adjustable cavity



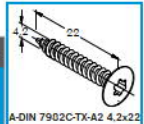
Material	Finish	Effect	art.	L	MOUNT system
ALUMINIUM	matte	RAL 7016	FG/A20x14-1200-R7016	1200	S4, L4
			FG/A20x14-1500-R7016	1500	
			FG/A20x14-1700-R7016	1700	

Material	Finish	Effect	art.	L	MOUNT system
ALUMINIUM	matte	RAL 7016	FG/AS20x14-6000-R7016	6000	S4, L4
	natural	-	FG/AS20x14-6000-N		

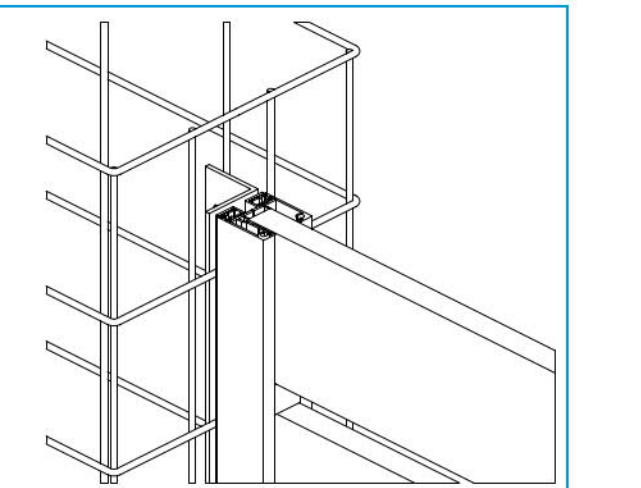
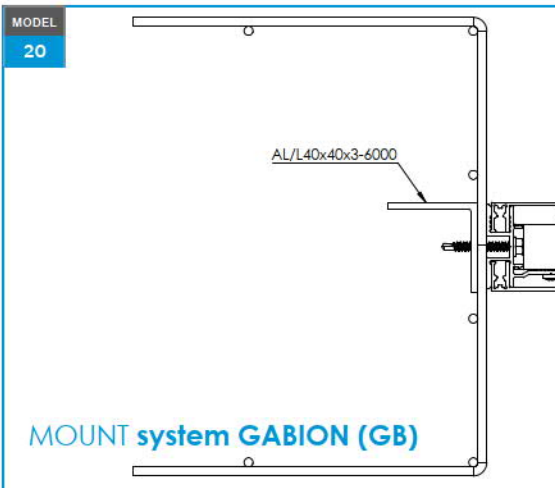
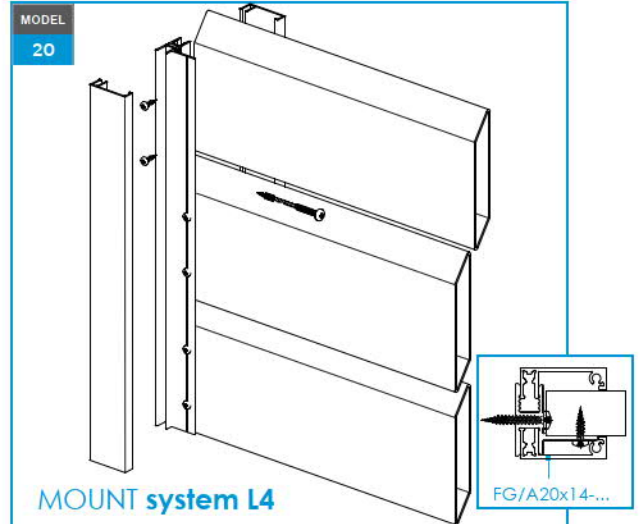
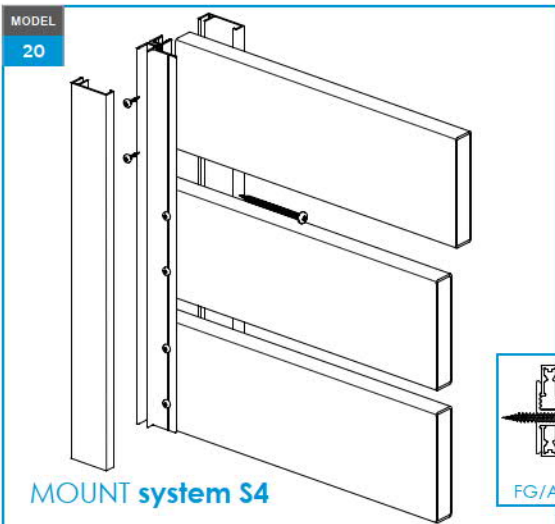


Material	Finish	Effect	art.	L
ALUMINIUM	matte	RAL 7016	FG/A2F20x14-6000-R7016	6000
		RAL 8017	FG/A2F20x14-6000-R8017	
	natural	-	FG/A2F20x14-6000-N	

Material	Finish	Effect	art.	A	MODEL
ALUMINIUM	matte	RAL 7016	FG/CA40x40-R7016	40	20
			FG/CA40x36-R7016	36	16

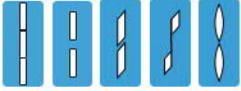
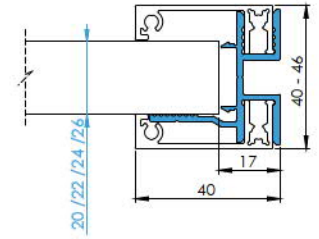
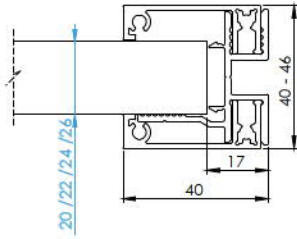


new

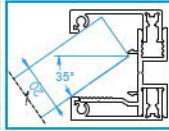




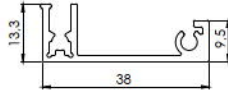
ADAPTER PROFILE MODEL 20 /22 /24 /26 ... adjustable cavity



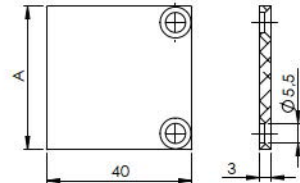
Material	Finish	Effect	art.	L	MOUNT system
ALUMINIUM	matte	RAL 7016	FG/A20x26-1200-R7016	1200	F4, S4, L4, GB, S4-light
			FG/A20x26-1500-R7016	1500	
			FG/A20x26-1700-R7016	1700	



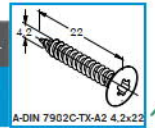
Material	Finish	Effect	art.	L	MOUNT system
ALUMINIUM	matte	RAL 7016	FG/AS20x26-6000-R7016	6000	F4, S4, L4, GB, S4-light
	natural	-	FG/AS20x26-6000-N		



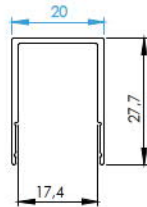
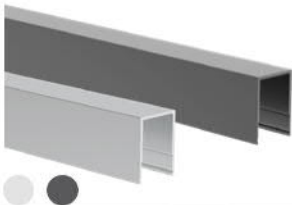
Material	Finish	Effect	art.	L
ALUMINIUM	matte	RAL 7016	FG/A2F20x14-6000-R7016	6000
		RAL 8017	FG/A2F20x14-6000-R8017	
		-	FG/A2F20x14-6000-N	



Material	Finish	Effect	art.	A	MODEL
ALUMINIUM	matte	RAL 7016	FG/CA40x40-R7016	40	20
			FG/CA40x44-R7016	44	24



new



Material	Finish	Effect	art.	L	MOUNT system
ALUMINIUM	matte	RAL 7016	FG/FC20-20-R7016	20	S4, S4-light, L2-vario
			FG/FC20-50-R7016	50	
			FG/FC20-100-R7016	100	
			FG/FC20-2000-R7016	2000	
			FG/FC20-6000-R7016	6000	
	natural	-	FG/FC20-6000-N	6000	F4

MODEL 20

MOUNT system S4-light

FG/A20x26-...

FG/A20x26-...

MODEL 20

MOUNT system S4

FG/A20x26-...

MODEL 20

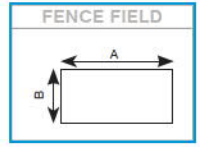
MOUNT system L4

FG/A20x26-...

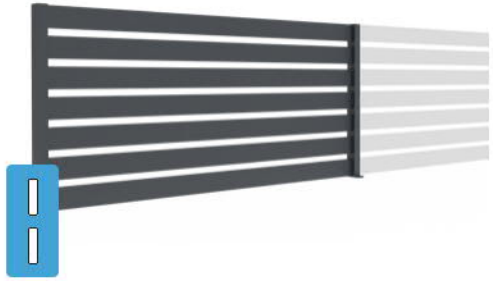
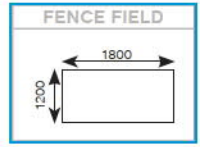
FENCE SETS



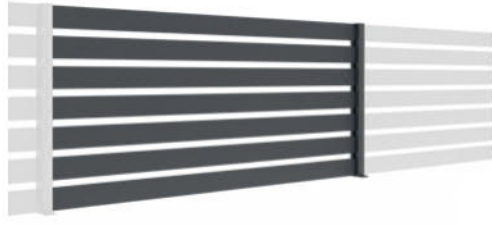
Material	Finish	Effect	art.	A	B	MODEL
ALUMINIUM	matte	RAL7016	FG/AIR20x100-1,2x2-R7016		1200	20
			FG/AIR20x100-1,5x2-R7016	2000	1500	
			FG/AIR20x120-1,7x2-R7016		1700	
			FG/AIR20x120-1,2x2,5R7016	2500	1200	
			FG/AIR20x120-1,7x2,5R7016		1700	



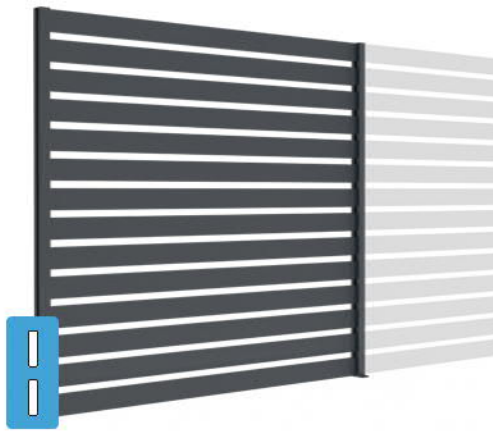
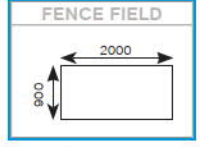
Material	Finish	Effect	art.	MODEL
ALUMINIUM	matte	RAL7016	FG/PN20x120-1,2x1,8-R7016	20



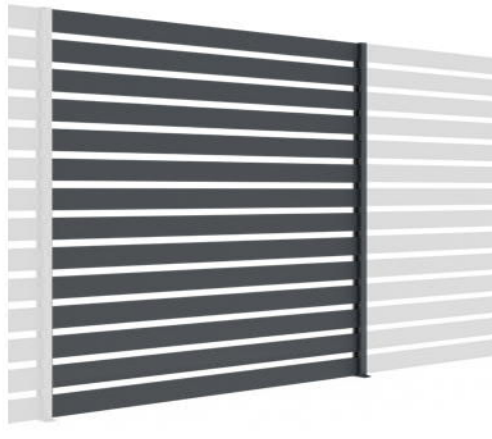
Material	Finish	Effect	art.	MODEL
ALUMINIUM	matte	RAL7016	FG/WP20x100-0,9x2-R7016	20



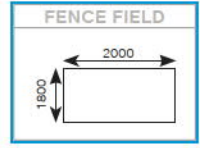
Material	Finish	Effect	art.	MODEL
ALUMINIUM	matte	RAL7016	FG/2WP20x100-0,9x2-R7016	20

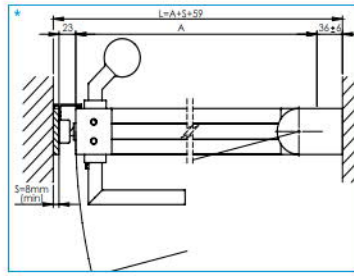


Material	Finish	Effect	art.	MODEL
ALUMINIUM	matte	RAL7016	FG/WP20x100-1,8x2-R7016	20

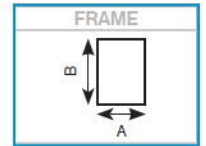


Material	Finish	Effect	art.	MODEL
ALUMINIUM	matte	RAL7016	FG/2WP20x100-1,8x2-R7016	20

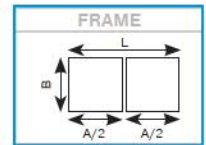
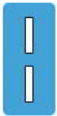




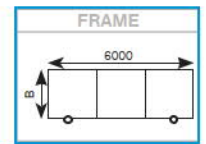
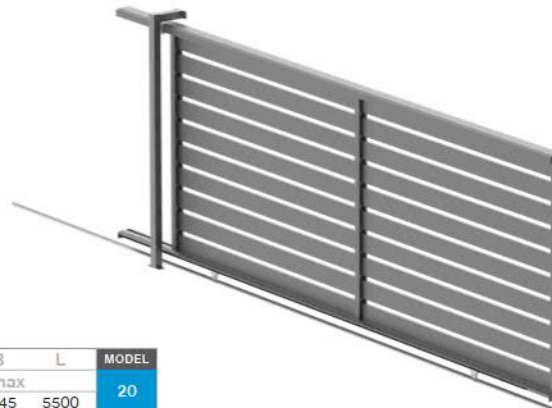
FG/S-SSG-LIGHT-R7016-SET



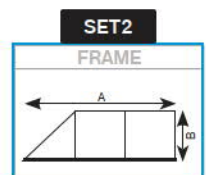
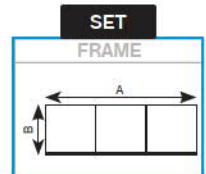
Material	Finish	Effect	art.	A	B	L	MODEL
ALUMINIUM	matte	RAL7016	FG/S-SSG-1x1.5-R7016-SET		max		20
			FG/S-SSG-LIGHT-R7016-SET	1025	1500	S+1084	
			FG/S-SSG-R7016-SET		1850		



Material	Finish	Effect	art.	A	B	L	MODEL
ALUMINIUM	matte	RAL7016	FG/S-DSG-R7016-SET	3923	max	3995	20



Material	Finish	Effect	art.	A	B	L	MODEL
ALUMINIUM	matte	RAL7016	FG/S-RLG-R7016-SET	6000	max	5500	20



Material	Finish	Effect	art.	A	B	L	MODEL
ALUMINIUM	matte	RAL7016	FG/S-CLG-R7016-SET-ECO	6000	max	4500	20
			FG/S-CLG-R7016-SET-PRO		2125	4100	

new

**2**

**MODEL 40**  
FOR ALUMINUM FENCES



**W02**  
LIGHT OAK



**RAL 7016**



**RAL 9006**



**RAL 9005**





## DESIGN GALLERY

MODEL 40



## LOUVER INFILLS

MODEL 40



## LOUVER ADAPTERS

MODEL 40



## LOUVER FENCE SETS

MODEL 40



**01L**

**RAL 7016**

SLAT dimension	art.
20x105	FG/L1S20x105-6000-R7016
20x40	FG/S20x40-2000-R7016

**02L**

**W02 LIGHT OAK** **RAL 7016**

SLAT dimension	art.
20x105	FG/L1S20x105-6000-W01
20x40	FG/S20x40-2000-R7016

**05L**

**RAL 7016**

SLAT dimension	art.
40x60	FG/S40x60-6000-R7016
20x40	FG/S20x40-2000-R7016

**06L**

**W02 LIGHT OAK** **RAL 7016**

SLAT dimension	art.
40x60	FG/S40x60-6000-W01
	FG/S40x60-6000-R7016
20x40	FG/S20x40-2000-R7016

**09L**

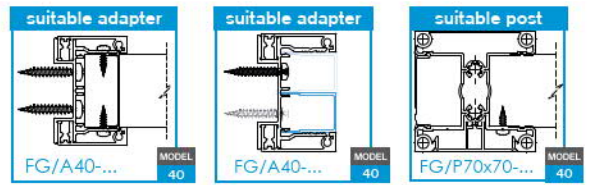
**RAL 7016**

SLAT dimension	art.
20x105	FG/L1S20x105-6000-R7016
20x40	FG/S20x40-2000-R7016

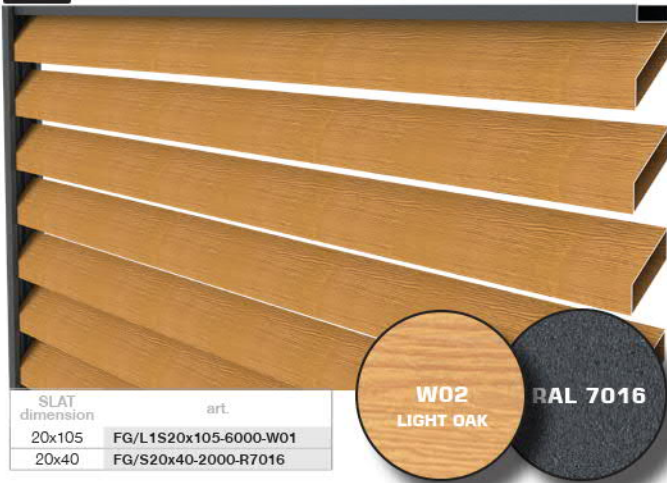
**10L**

**INOX** **RAL 7016**

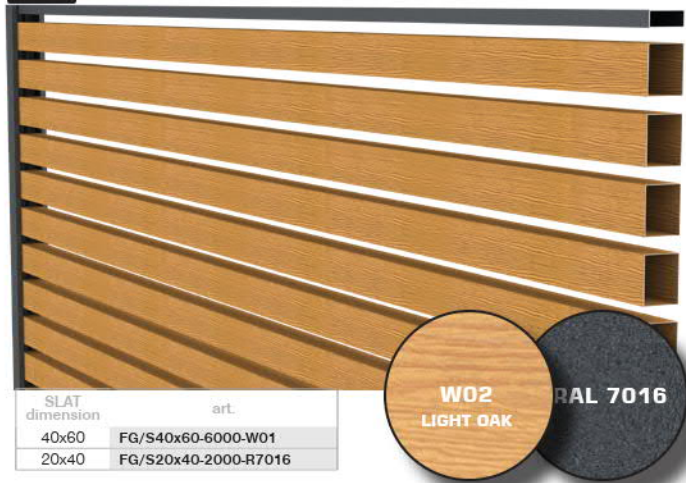
SLAT dimension	art.
20x100	A/20x100x0,8-6000
20x40	FG/S20x40-2000-R7016



03L



04L



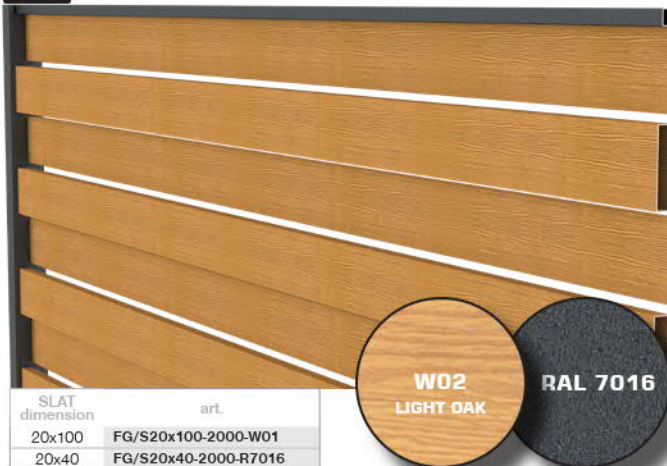
07L



08L

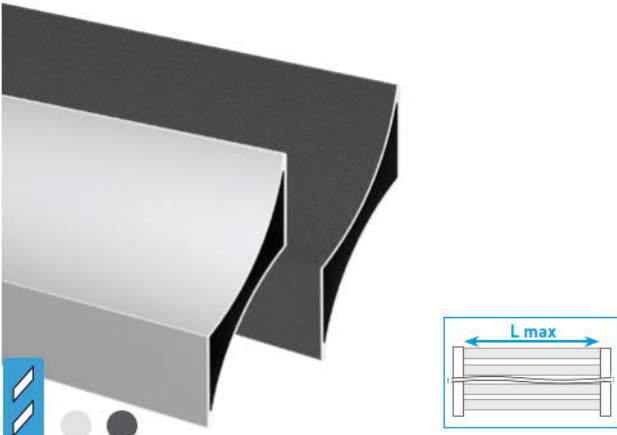


11L

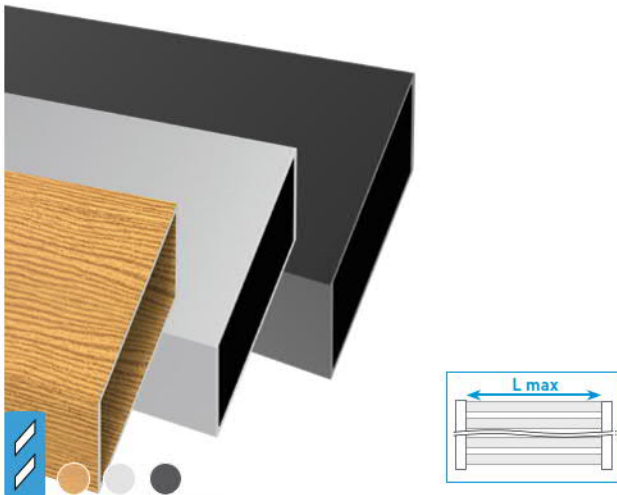
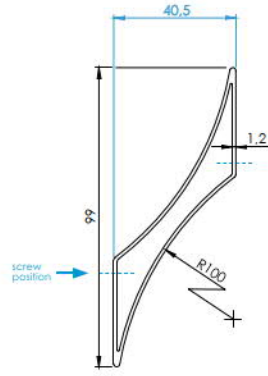


12L

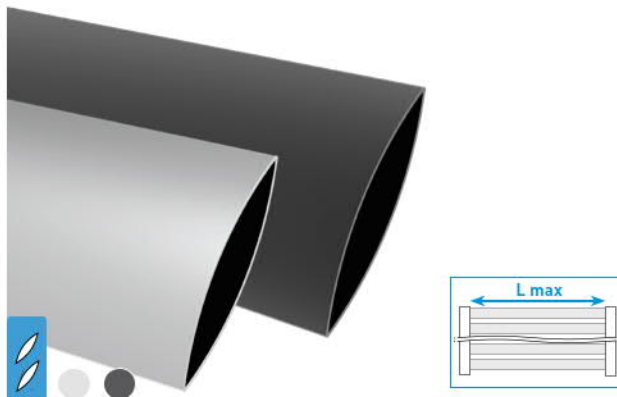
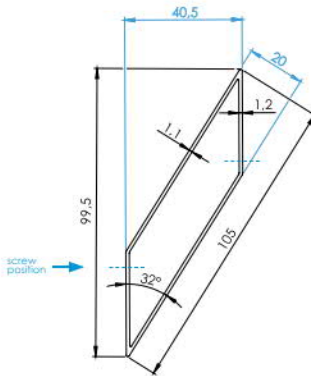




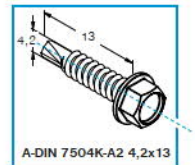
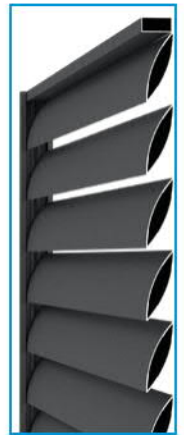
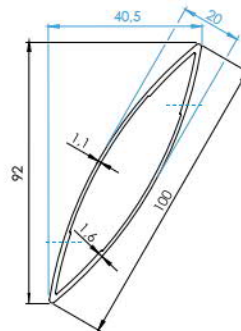
Material	Finish	Effect	art.	L	L max	MOUNT system
ALUMINIUM	matte	RAL 7016	FG/L1S40x99-2000-R7016	2000	2,5	L2, L2-vario
		RAL 7016	FG/L1S40x99-3000-R7016	3000		
	-	FG/L1S40x99-6000-R7016	6000			
	natural	-	FG/L1S40x99-6000-N	6000		
	matte	RAL 7016	FG/L1S40x99-7000-R7016	7000		



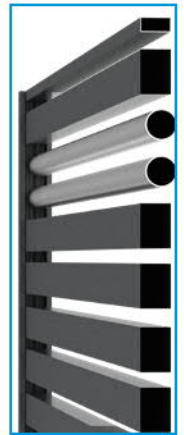
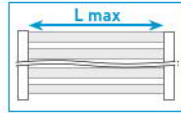
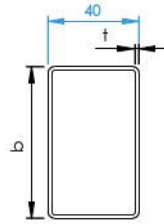
Material	Finish	Effect	art.	L	L max	MOUNT system
ALUMINIUM	matte	RAL 7016	FG/L1S20x105-2000-R7016	2000	2,5	L2, L2-vario
		RAL 7016	FG/L1S20x105-2500-R7016	2500		
	-	FG/L1S20x105-6000-R7016	6000			
	natural	-	FG/L1S20x105-6000-N	6000		
	matte	W02	FG/L1S20x105-6000-W02	6000		



Material	Finish	Effect	art.	L	L max	MOUNT system
ALUMINIUM	matte	RAL 7016	FG/O20x100-2000-R7016	2000	2,5	L2, L2-vario
		RAL 7016	FG/O20x100-3000-R7016	3000		
	-	FG/O20x100-6000-R7016	6000			
	natural	-	FG/O20x100-6000-N	6000		
	matte	RAL 7016	FG/O20x100-7000-R7016	7000		

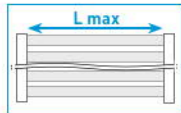




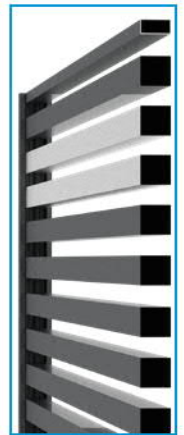
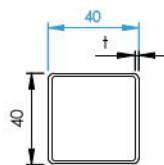
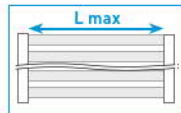
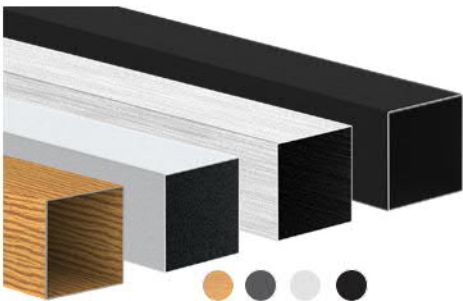


Material	Finish	Effect	art.	L	b	t	L max	MOUNT system
ALUMINIUM	matte	RAL 7016	FG/S20x40-2000-R7016	2000	20	1,2		L2
	natural	-	FG/S20x40-3000-R7016	3000				
	matte	RAL 7016	FG/S20x40-6000-N	6000				
ALUMINIUM	matte	RAL 7016	FG/S20x40-6000-R7016	7000	60	1	2,5	
	natural	-	FG/S20x40-7000-R7016	6000				
AISI304	satin	-	A/20x40x0,6-6000	6000	60	3		
ALUMINIUM	matte	W01	FG/S40x60x1-6000-W01	6000	80	1,2		
	natural	-	FG/S40x60x1-6000-N					
	matte	W02	FG/S40x80x1,2-6000-W02					
	natural	RAL 7016	FG/S40x80x1,2-6000-R7016					
ALUMINIUM	natural	-	FG/S40x80x1,2-6000-N	6000	60	2	3	
	natural	-	AL/60x40x2-6000					
AISI304	satin	-	A/60x40x2-6000		80	2		
ALUMINIUM	natural	-	AL/80x40x2-6000	6000	80	3		
	natural	-	AL/80x40x3-6000					

new  
new  
new

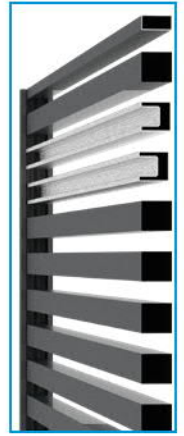
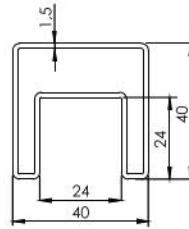
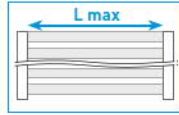


Material	Finish	Effect	art.	t	L max	MOUNT system
AISI304	satin	-	A/40x2-6000	1	2,5	L2

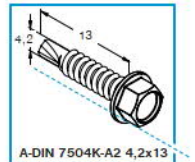
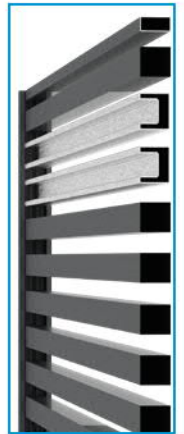
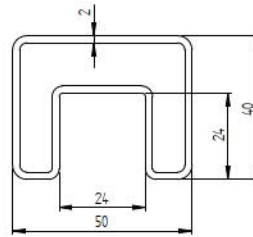
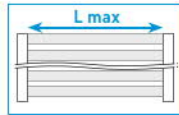


Material	Finish	Effect	art.	L	t	L max	MOUNT system
AISI304	satin	PVD black	A-PVD/40x40x2-3000	3000	2		L2
	natural	-	AL/40x40x3-6000		3		
	natural	-	AL/40x40x2-6000		2		
ALUMINIUM	matte	W02	AL/40x40x1,2-6000-W02	6000	1,2		
	natural	RAL 7016	AL/40x40x1,2-6000-R7016				
	natural	-	AL/40x40x1,2-6000-N				
AISI304	satin	-	A/40x40x2-1500	1500	2	2,5	
			A/40x40x2-2000	2000			
			A/40x40x2-3000	3000			
			A/40x40x2-6000	6000			
AISI316	satin	-	A/40x40x2-6000-EXCLUSIVE	6000			
			A/40x40x2-6000-L	6000			
AISI316	satin	-	A14/40x40x2-3000	3000			

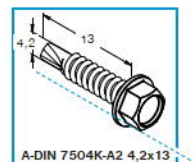
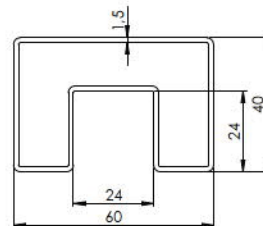
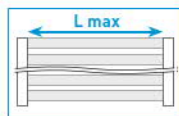
new  
new  
new



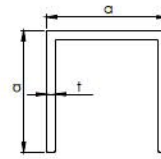
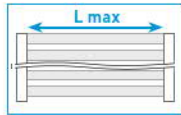
Material	Finish	Effect	art.	L	L max	MOUNT system
AISI304	satin	-	A/6925-040	2500	2,5	L2
			A/6920-040	5000		
			A/6921-040	6000		
AISI316			A14/6920-040	5000		



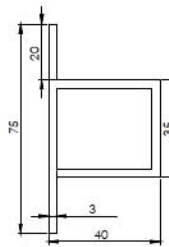
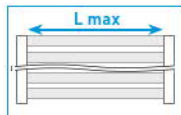
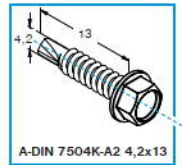
Quality	Finish	Effect	art.	L	L max	MOUNT system
ALUMINIUM	satin	ELOX	AL/6925-540-S-E	3000	2,5	L2
			AL/6920-540-S-E	6000		
		ELOX black	AL/6925-540-S-EB	3000		
			AL/6920-540-S-EB	6000		



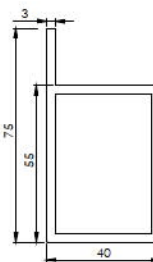
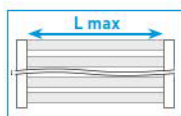
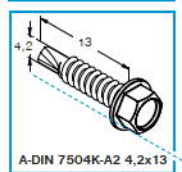
Material	Finish	Effect	art.	L	L max	MOUNT system
AISI304	satin	-	A/6925-640	2500	2,5	L2
			A/6920-640	5000		
AISI316			A14/6925-640	2500		
			A14/6920-640	5000		



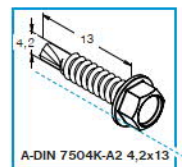
Quality	Finish	Effect	art.	a	t	L	L max	MOUNT system
ALUMINIUM	natural	-	AL/U40x40x3-6000	40	3	6000	2,5	L2

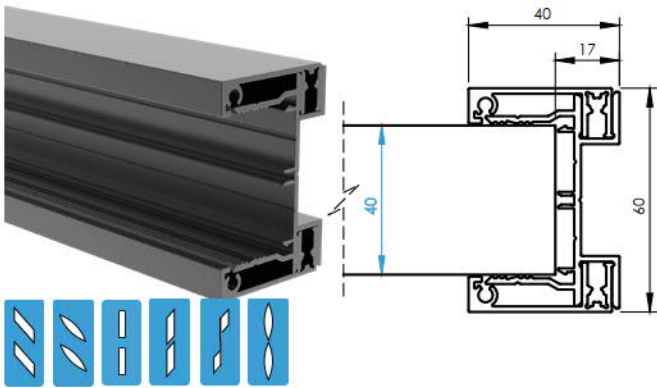


Quality	Finish	Effect	art.	t	L	L max	MOUNT system
ALUMINIUM	natural	-	AL/T75x35x40x3-6000	2	6000	2,5	L2

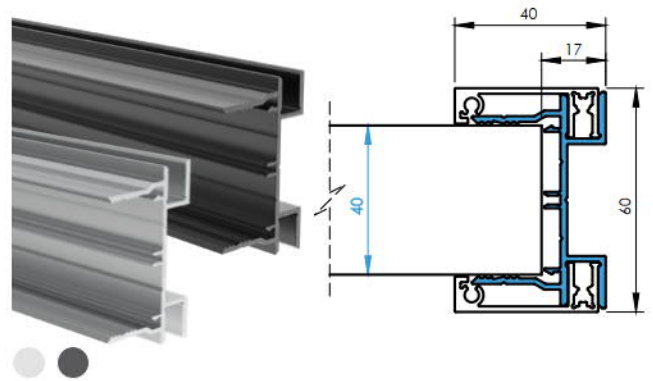


Quality	Finish	Effect	art.	t	L	L max	MOUNT system
ALUMINIUM	natural	-	AL/P75x55x40x3-6000	3	6000	2,5	L2

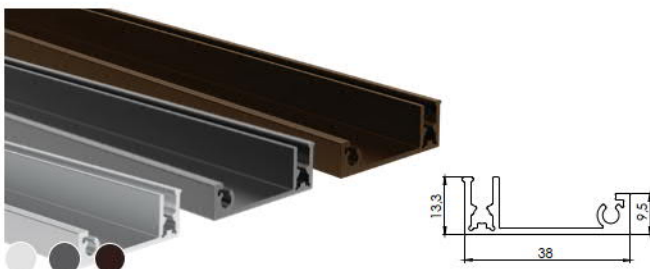




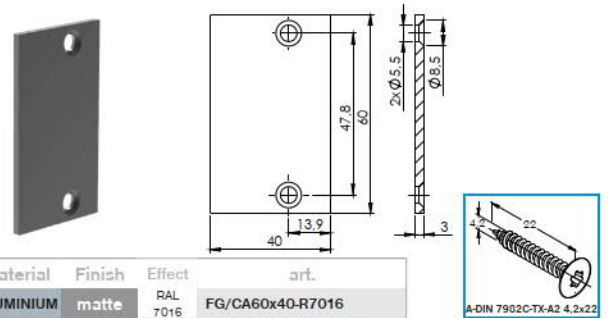
Material	Finish	Effect	art.	L	MOUNT system
ALUMINIUM	matte	RAL 7016	FG/A40-1200-R7016	1200	L2, L2-vario
			FG/A40-1500-R7016	1500	
			FG/A40-1700-R7016	1700	



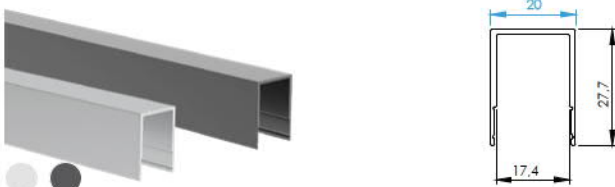
Material	Finish	Effect	art.	L	MOUNT system
ALUMINIUM	matte	RAL 7016	FG/AL40-6000-R7016	6000	L2, L2-vario
	natural	-	FG/AL40-6000-N		



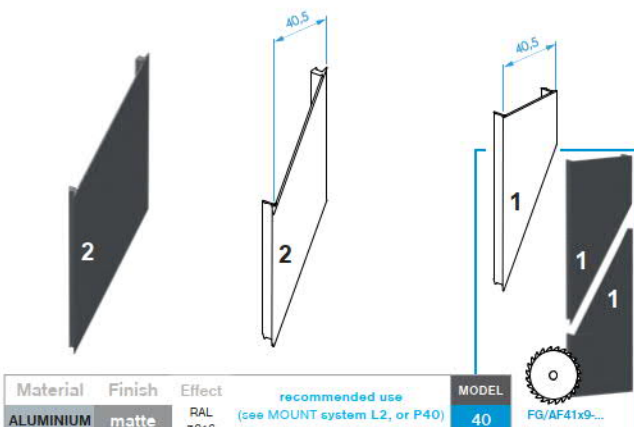
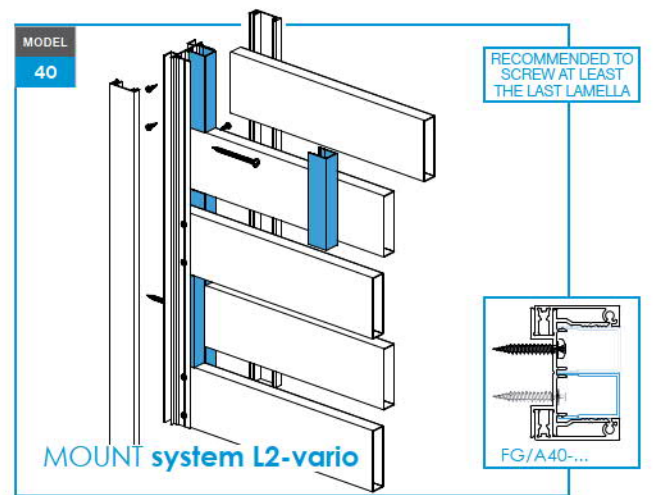
Material	Finish	Effect	art.	L
ALUMINIUM	matte	RAL 7016	FG/A2F20x14-6000-R7016	6000
	natural	RAL 8017	FG/A2F20x14-6000-R8017	
		-	FG/A2F20x14-6000-N	



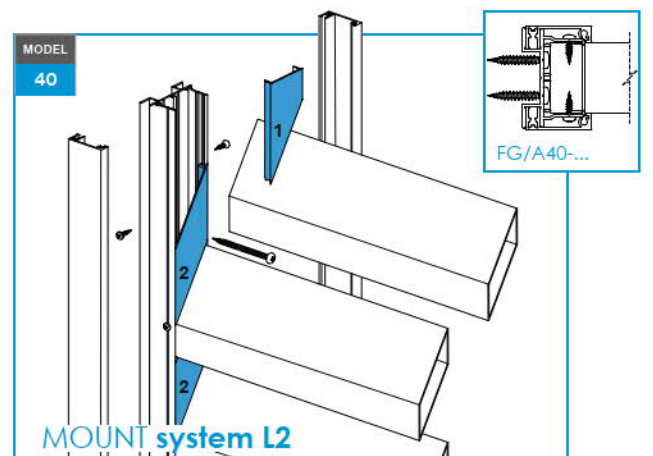
Material	Finish	Effect	art.
ALUMINIUM	matte	RAL 7016	FG/CA60x40-R7016

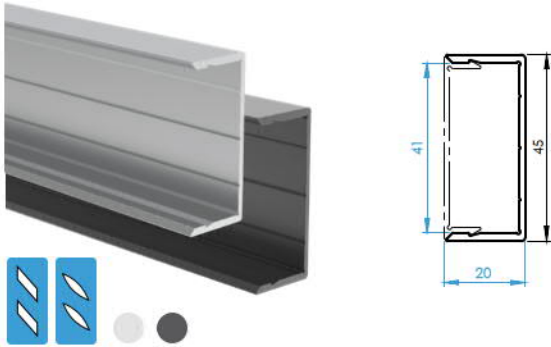


Material	Finish	Effect	art.	L	MOUNT system
ALUMINIUM	matte	RAL 7016	FG/FC20-20-R7016	20	S4, S4-light, L2-vario
			FG/FC20-50-R7016	50	
			FG/FC20-100-R7016	100	
			FG/FC20-2000-R7016	2000	F4
			FG/FC20-6000-R7016	6000	
			FG/FC20-6000-N		

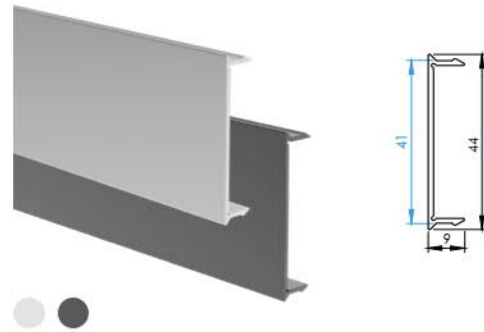


Material	Finish	Effect	recommended use (see MOUNT system L2, or P40)	MODEL	art.
ALUMINIUM	matte	RAL 7016		40	FG/AF41x9...

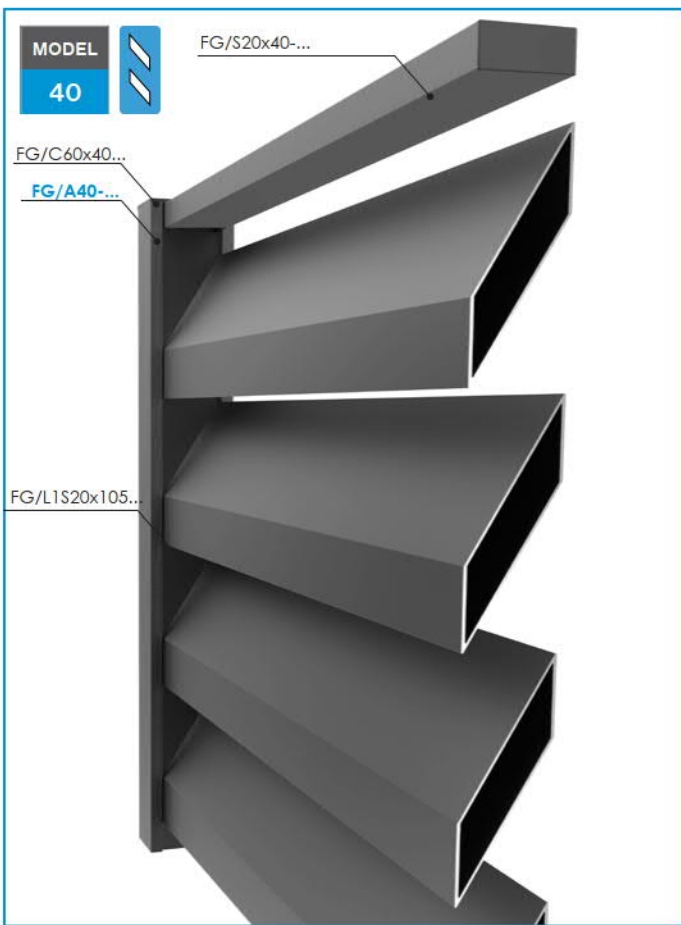




Material	Finish	Effect	art.	L	MODEL
ALUMINIUM	matte	RAL 7016	FG/AL40U-1850-R7016	1850	40
			FG/AL40U-6000-R7016	6000	
	natural	-	FG/AL40U-6000-N		



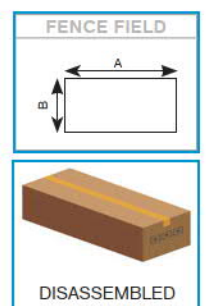
Material	Finish	Effect	art.	L	MODEL
ALUMINIUM	matte	RAL 7016	FG/AF41x9-1850-R7016	1850	40
			FG/AF41x9-6000-R7016	6000	
	natural	-	FG/AF41x9-6000-N	7000	



FENCE SETS



Material	Finish	Effect	art.	A	B	MODEL
ALUMINIUM	matte	RAL 7016	FG/L1S20x105-1,2x2-R7016	2000	1200	40
			FG/L1S20x105-1,7x2-R7016		1700	



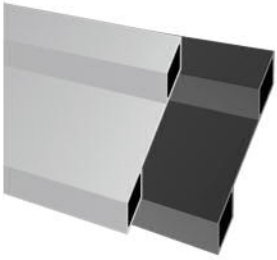
**3**

**MODEL 46**  
FOR ALUMINUM FENCES





## DESIGN GALLERY



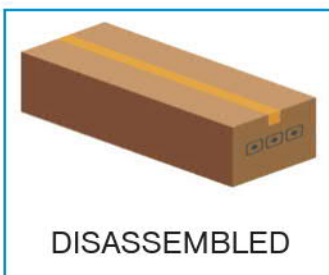
## LOUVER INFILLS

MODEL 46



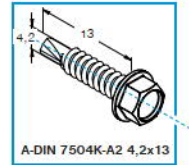
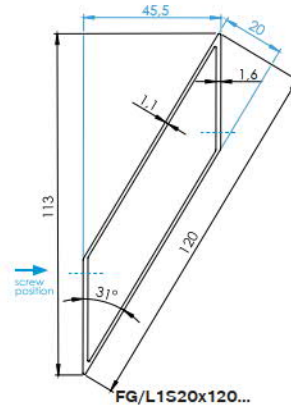
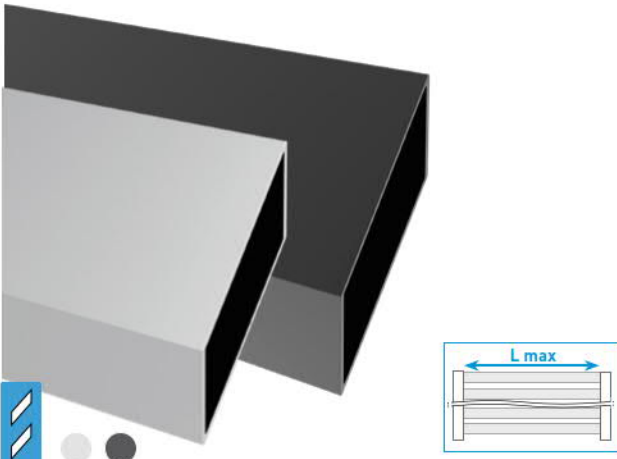
## LOUVER ADAPTERS

MODEL 46

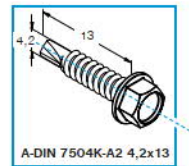
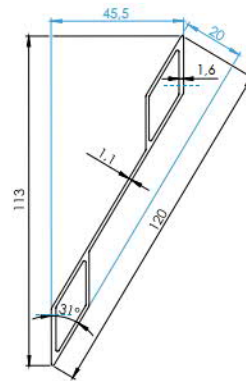
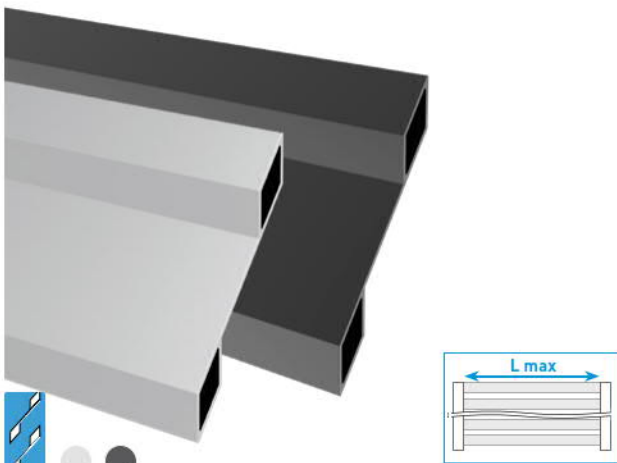


DISASSEMBLED

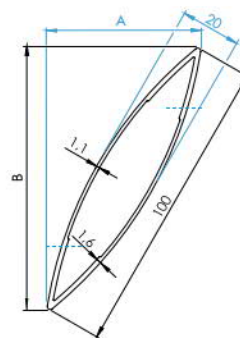
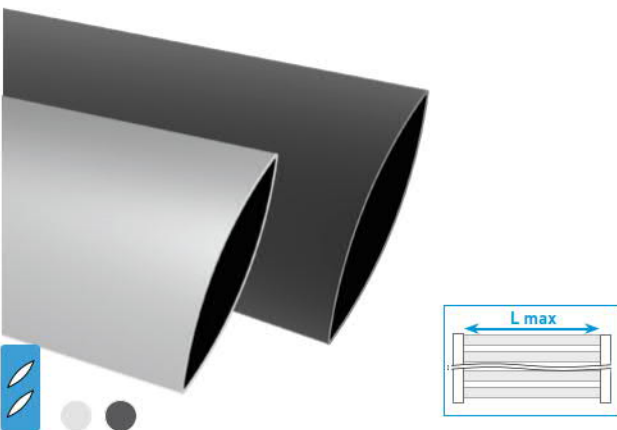
## LOUVER FENCE SETS



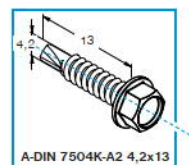
Material	Finish	Effect	art.	L	L max	MOUNT system
ALUMINIUM	matte	RAL 7016	FG/L1S20x120-2000-R7016	2000	2,5	L1
		RAL 7016	FG/L1S20x120-3000-R7016	3000		
	natural	-	FG/L1S20x120-6000-R7016	6000		
	matte	RAL 7016	FG/L1S20x120-7000-R7016	7000		



Material	Finish	Effect	art.	L	L max	MOUNT system
ALUMINIUM	matte	RAL 7016	FG/L2S20x120-2000-R7016	2000	2	L1
		RAL 7016	FG/L2S20x120-3000-R7016	3000		
	natural	-	FG/L2S20x120-6000-R7016	6000		
	matte	RAL 7016	FG/L2S20x120-7000-R7016	7000		

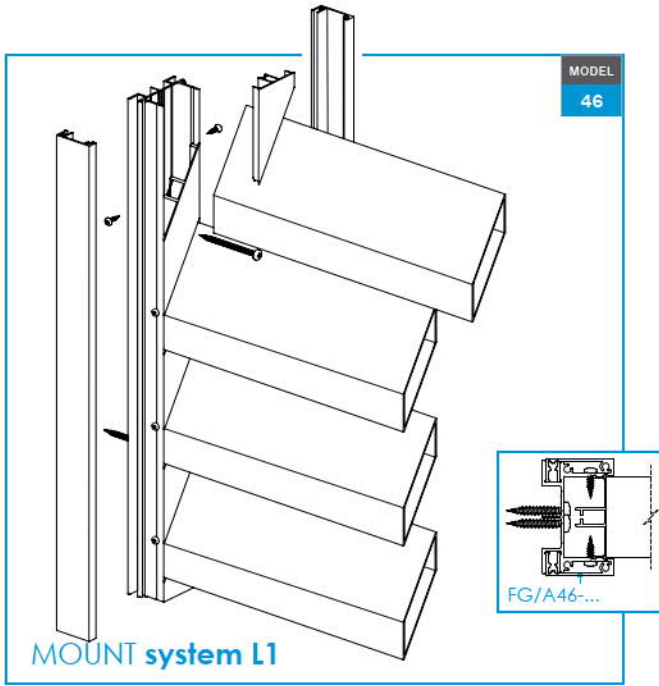


MOUNT system	A	B
L1	46	90,5

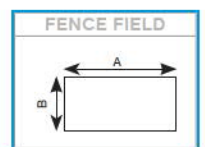
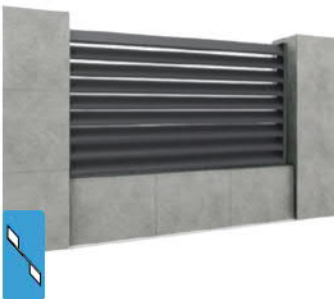


Material	Finish	Effect	art.	L	L max	MOUNT system
ALUMINIUM	matte	RAL 7016	FG/O20x100-2000-R7016	2000	2,5	L1
		RAL 7016	FG/O20x100-3000-R7016	3000		
	natural	-	FG/O20x100-6000-R7016	6000		
	matte	RAL 7016	FG/O20x100-7000-R7016	7000		



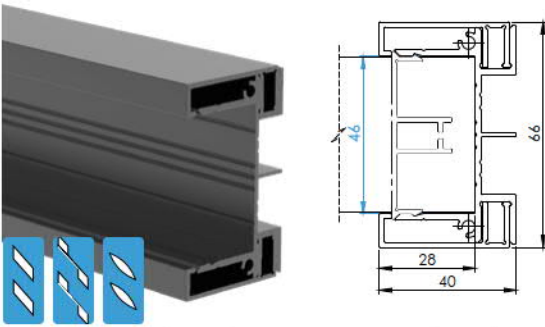


FENCE SETS

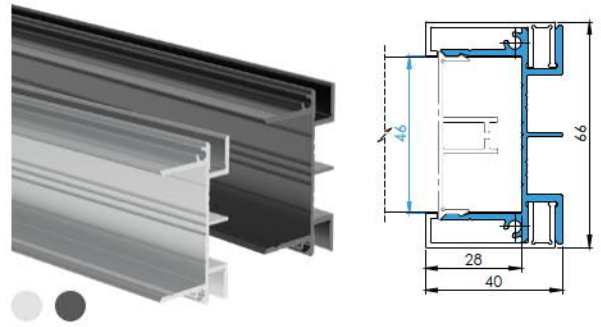


Material	Finish	Effect	art.	A	B	MODEL
ALUMINIUM	matte	RAL 7016	FG/L2S20x120-1,2x2-R7016	2000	1200	46
			FG/LsS20x120-1,7x2-R7016		1700	

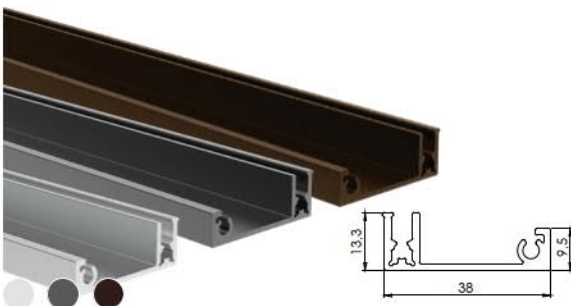
ADAPTER PROFILE MODEL 46 ...



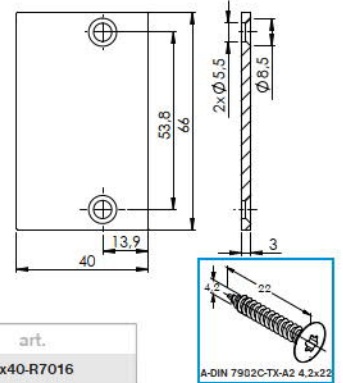
Material	Finish	Effect	art.	L	MOUNT system
ALUMINIUM	matte	RAL 7016	FG/A46-1200-R7016	1200	L1
			FG/A46-1500-R7016	1500	
			FG/A46-1700-R7016	1700	



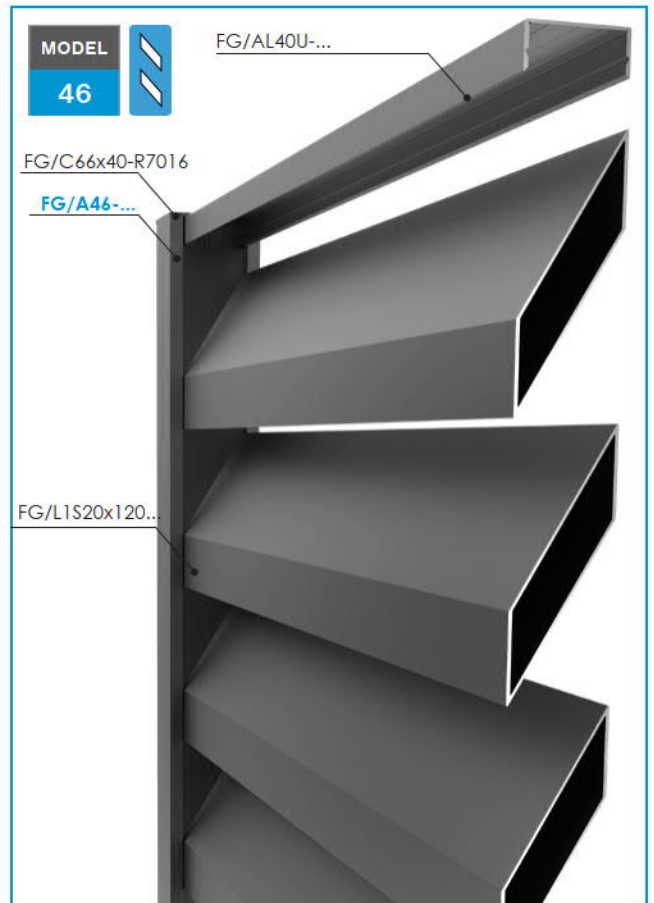
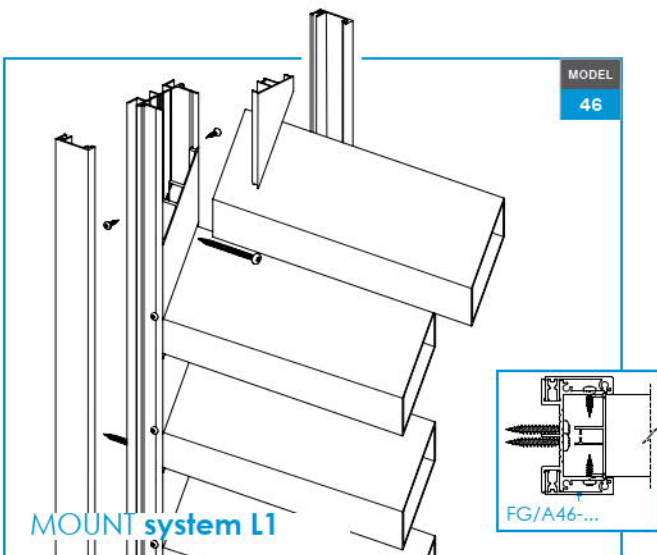
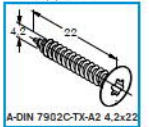
Material	Finish	Effect	art.	L	MOUNT system
ALUMINIUM	matte	RAL 7016	FG/AL46-6000-R7016	6000	L1
	natural	-	FG/AL46-6000-N		



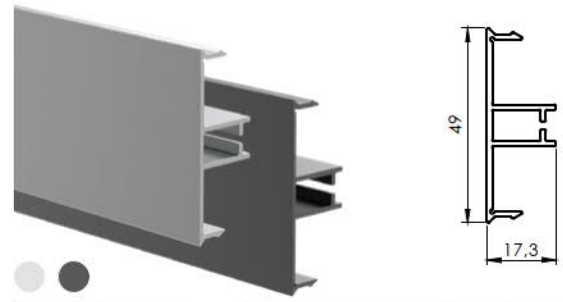
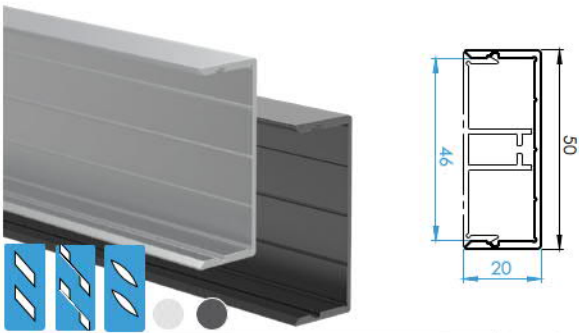
Material	Finish	Effect	art.	L
ALUMINIUM	matte	RAL 7016	FG/A2F20x14-6000-R7016	6000
		RAL 8017	FG/A2F20x14-6000-R8017	
	natural	-	FG/A2F20x14-6000-N	



Material	Finish	Effect	art.
ALUMINIUM	matte	RAL 7016	FG/CA66x40-R7016



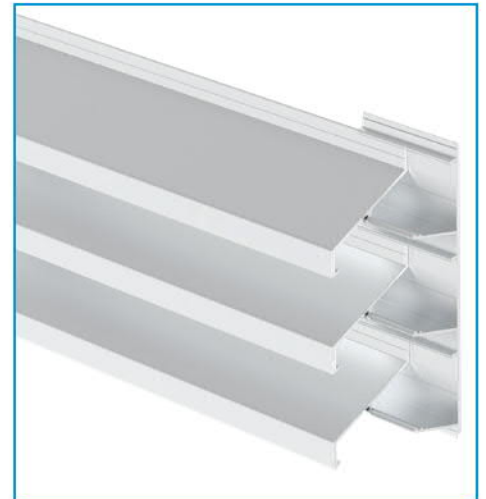
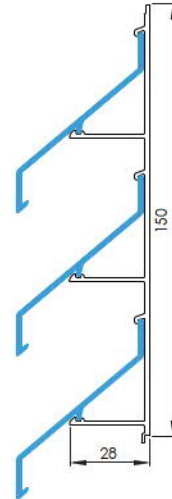
ADAPTER PROFILE MODEL 46 ...



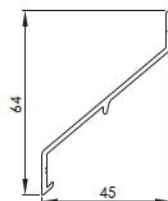
Material	Finish	Effect	art.	L	MODEL
ALUMINIUM	matte	RAL 7016	FG/AL46U-1850-R7016	1850	46
			FG/AL46U-6000-R7016	6000	
	natural	-	FG/AL46U-6000-N		

Material	Finish	Effect	art.	L	MODEL
ALUMINIUM	matte	RAL 7016	FG/PC49x17-1850-R7016	1850	46
			FG/PC49x17-6000-R7016	6000	
	natural	-	FG/PC49x17-7000-N	7000	

ADAPTER PROFILE MODEL 46 ...



Material	Finish	Effect	art.	L	MOUNT system
ALUMINIUM	natural	-	FG/LB45-6000-N	6000	L1

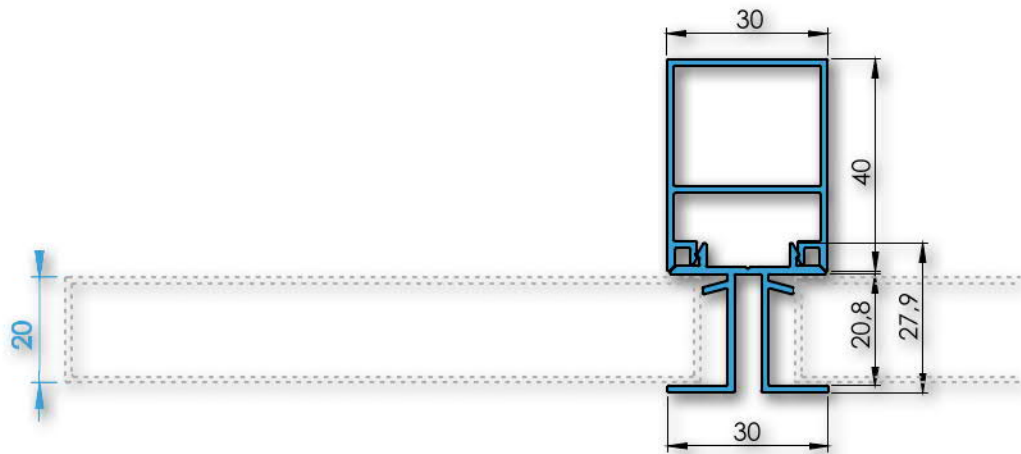


Material	Finish	Effect	art.	L	MOUNT system
ALUMINIUM	natural	-	FG/L45-6000-N	6000	L1

# 4

## FACADES

FOR ALUMINUM FENCES & GATES



**W02**  
LIGHT OAK

**RAL 7016**





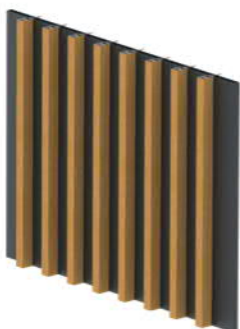
## FLEX SYSTEM

EFFECTIVE WIDTH  
180mm / 120mm / 60mm  
+0,2

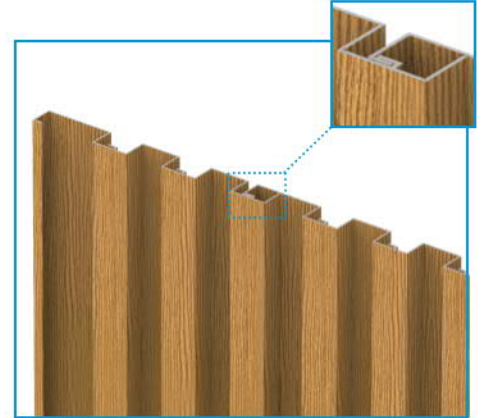
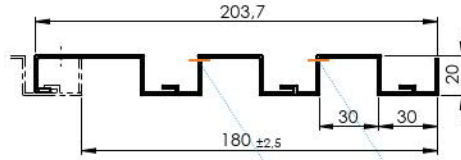


## FLEX VARIO SYSTEM

CUSTOM WIDTH  
CUSTOM COLOR



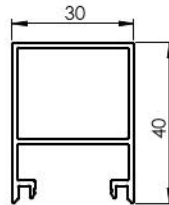
## VARIOUS APPLICATIONS



● Mechanization  

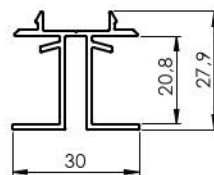
Material	Finish	Effect	art.	L
ALUMINIUM	matte	RAL 7016	FG/FD20X30x180-6000-R7016	6000
		W02	FG/FD20X30x180-6000-W02	

*new new*



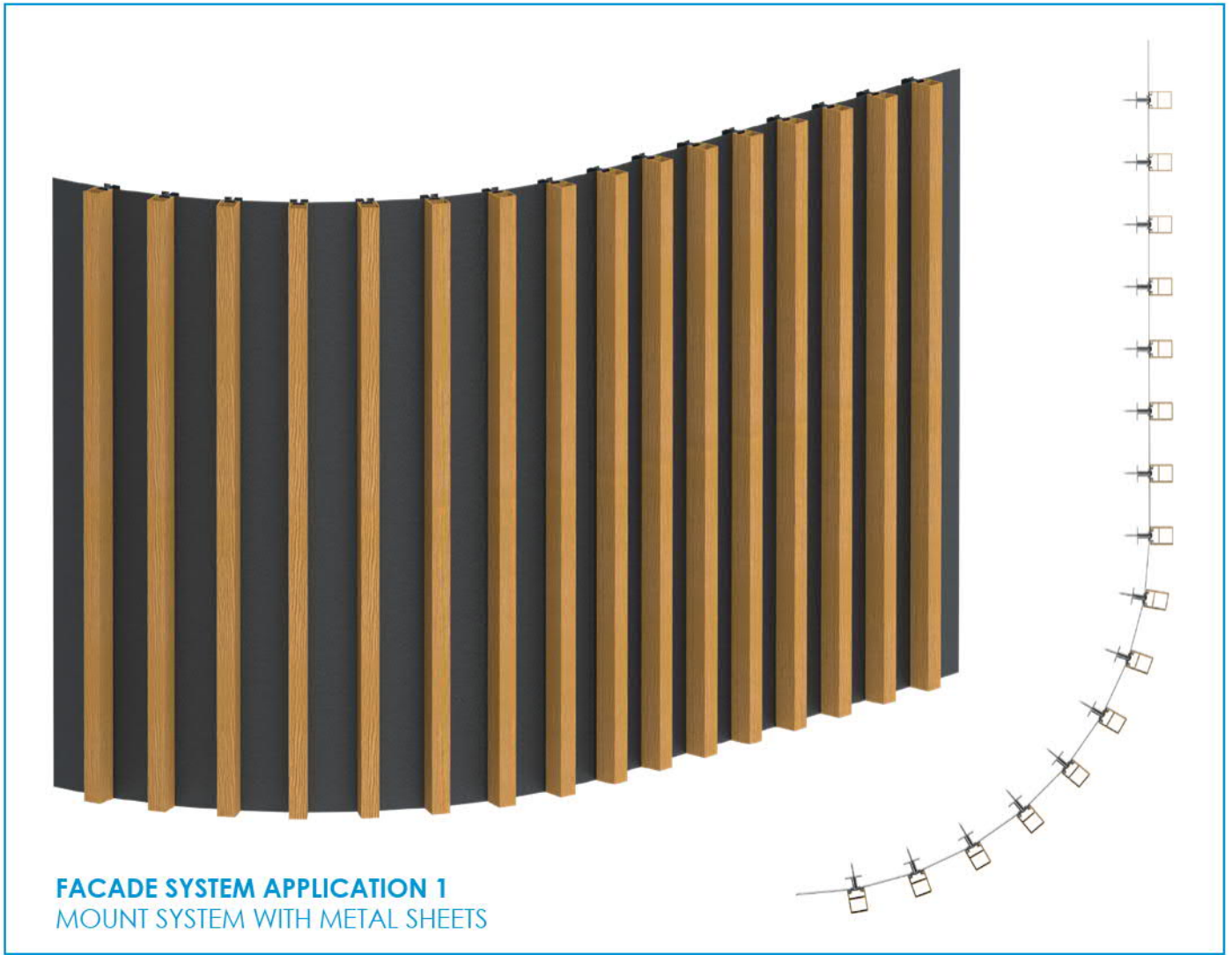
Material	Finish	Effect	art.	L
ALUMINIUM	matte	RAL 7016	FG/FD40X30-6000-R7016	6000
		W02	FG/FD40X30-6000-W02	

*new new*



Material	Finish	Effect	art.	L
ALUMINIUM	matte	RAL 7016	FG/FD28X30-6000-R7016	6000
	natur	-	FG/FD28X30-6000-N	

*new new*



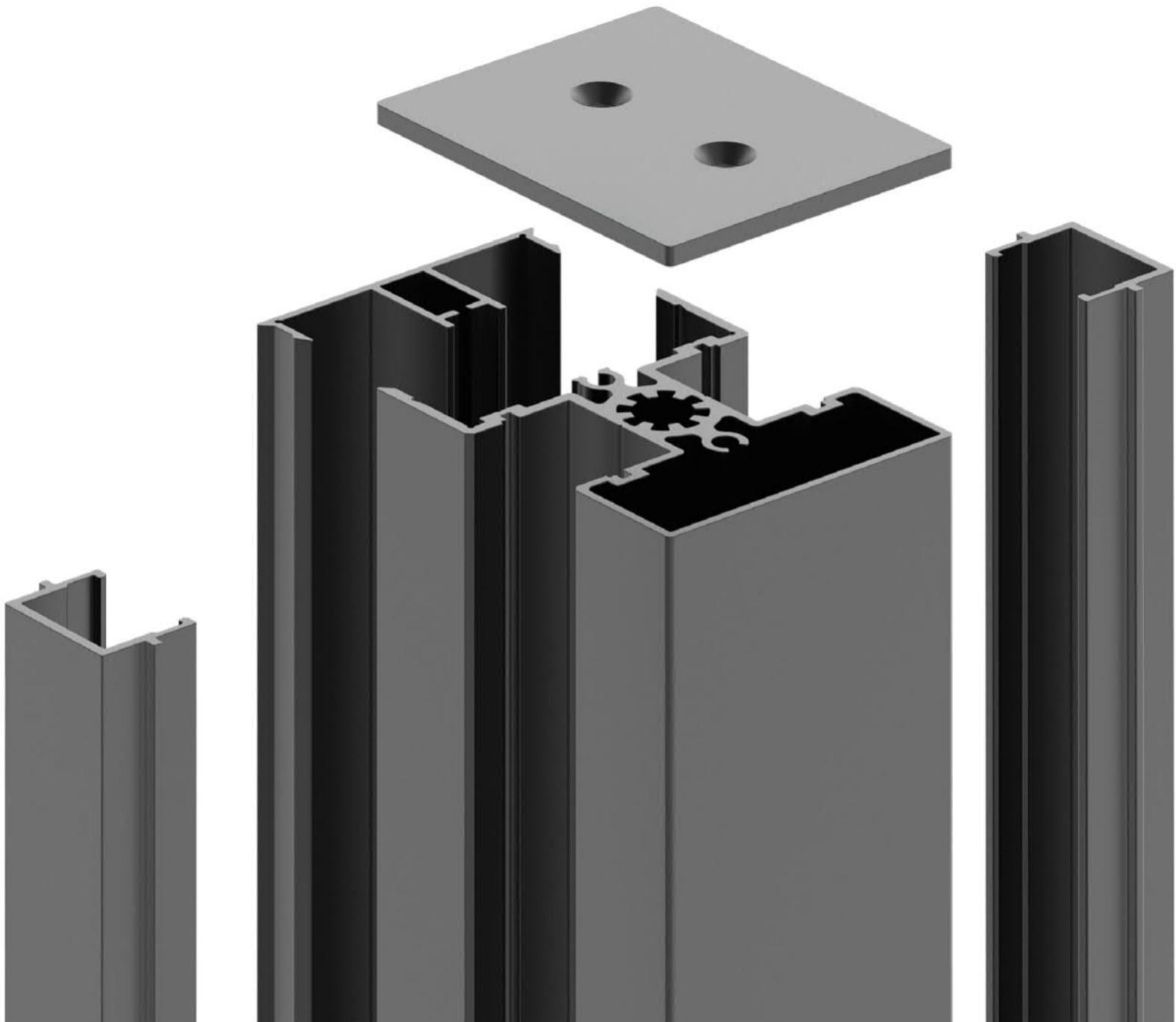
**FACADE SYSTEM APPLICATION 1**  
MOUNT SYSTEM WITH METAL SHEETS



**FACADE SYSTEM APPLICATION 2**  
MOUNT SYSTEM WITH ALUMINUM FENCE SLATS

# 5

## POSTS FOR ALUMINUM FENCES & GATES







## POST PROFILES

50x60  
60x80  
70x70  
80x80



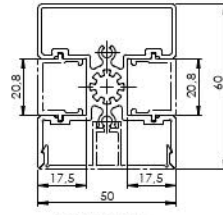
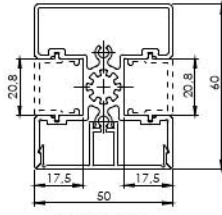
## MULTIBOXES

MODEL S-1  
MODEL S-2  
MODEL X



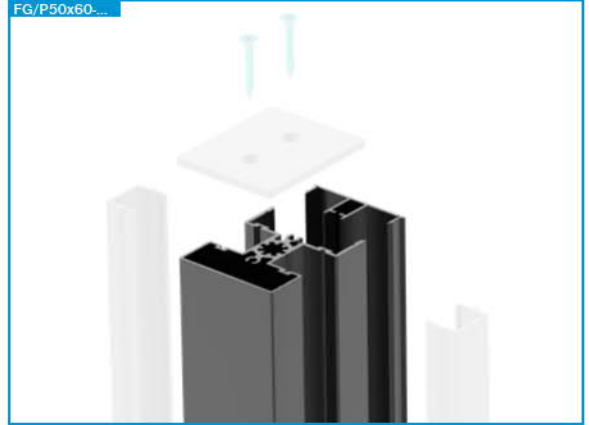
## POST ACCESSORIES and DIY PROFILES

END CAPS  
FLANGES  
PROFILES

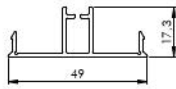


FG/P50x60...

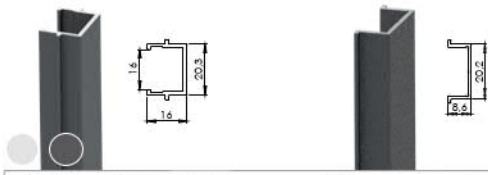
FG/FP50x60...



Material	Finish	Effect	art.	L	MODEL
ALUMINIUM	matte	RAL 7016	FG/FP50x60-1850-R7016	1850	20
	natural	-	FG/FP50x60-6000-R7016	6000	
	matte	RAL 7016	FG/P50x60-1850-R7016	1850	
	natural	-	FG/P50x60-6000-R7016	6000	

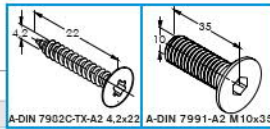
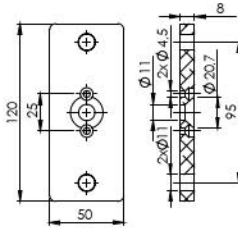


Material	Finish	Effect	art.	L
ALUMINIUM	matte	RAL 7016	FG/PC49x17-1850-R7016	1850
	natural	-	FG/PC49x17-6000-R7016	6000
	natural	-	FG/PC49x17-7000-N	7000



Material	Finish	Effect	art.	L
ALUMINIUM	matte	RAL 7016	FG/PC20x16-20-R7016	20
			FG/PC20x16-50-R7016	50
			FG/PC20x16-1850-R7016	1850
			FG/PC20x16-6000-R7016	6000
			FG/PC20x8-20-R7016	20
			FG/PC20x8-50-R7016	50
			FG/PC20x8-2000-R7016	2000
			FG/PC20x8-2000-N	2000

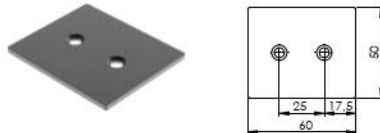
new  
new  
new  
new



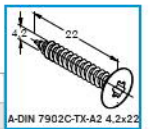
Material	Finish	Effect	art.
AISI304	matte	-	FG/BP120x50x8-R7016

A-DIN 7902C-TX-A2 4.2x22

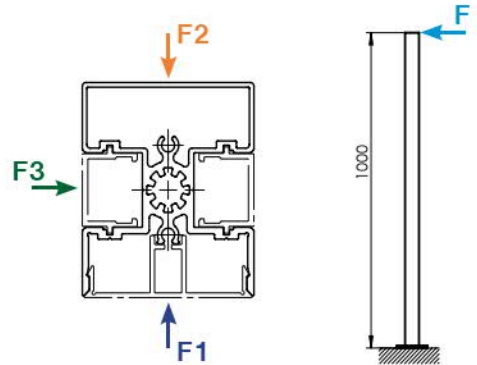
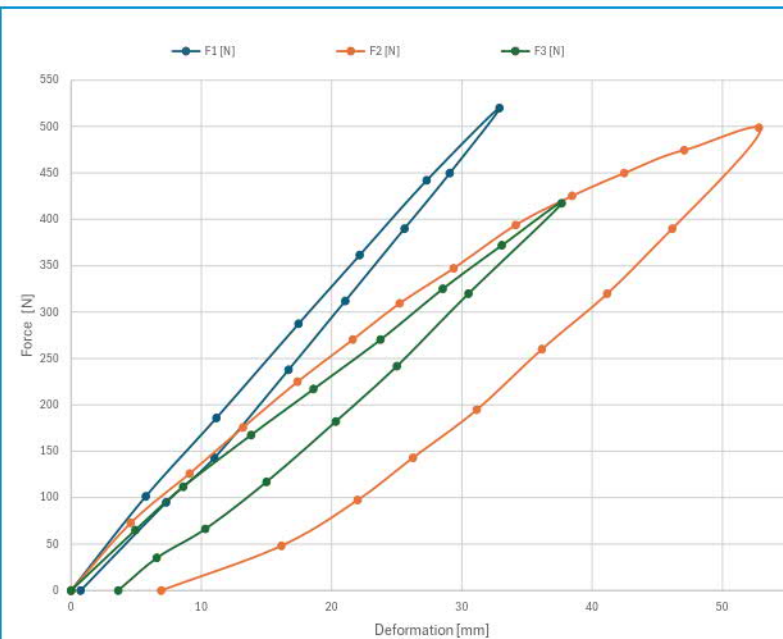
A-DIN 7991-A2 M10x35

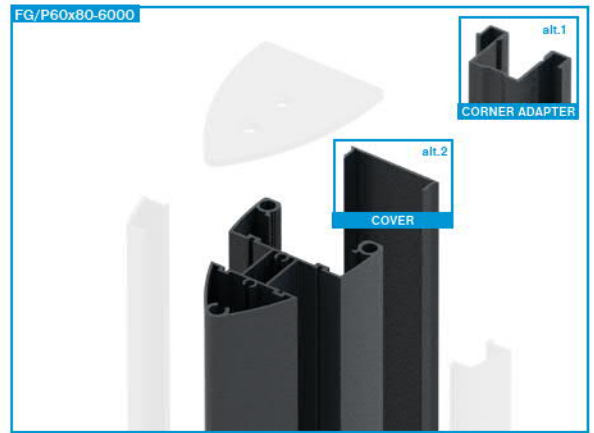
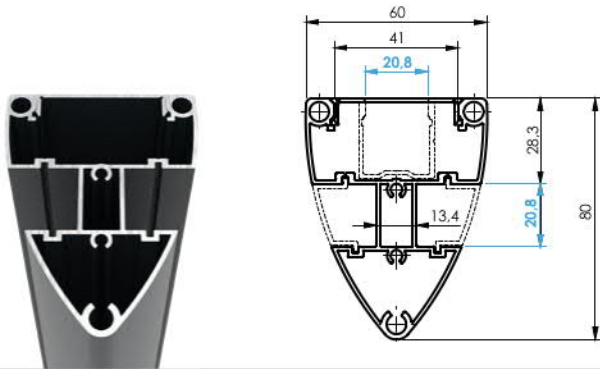


Material	Finish	Effect	art.
ALUMINIUM	matte	RAL 7016	FG/CP50x60-R7016



A-DIN 7902C-TX-A2 4.2x22

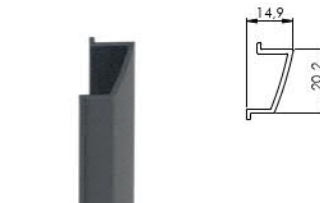




Material	Finish	Effect	art.	L	optional	MODEL
ALUMINIUM	matte	RAL 7016	FG/P60x80-1850-R7016	1850	✓	20 <i>new</i>
			FG/P60x80-6000-R7016	6000		



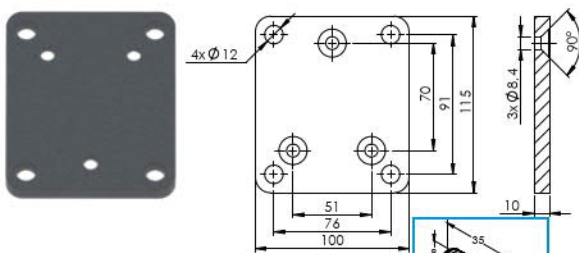
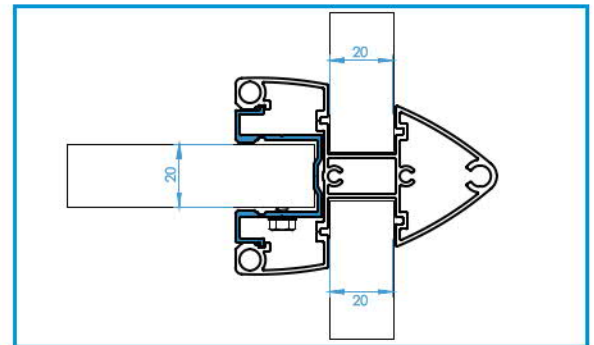
Material	Finish	Effect	art.	L
ALUMINIUM	matte	RAL 7016	FG/AF41x9-1850-R7016	1850
			FG/AF41x9-6000-R7016	6000
	natural	-	FG/AF41x9-6000-N	7000



Material	Finish	Effect	art.	L
ALUMINIUM	matte	RAL 7016	FG/PC20x16-20-R7016	20
			FG/PC20x16-1850-R7016	1850
			FG/PC20x16-6000-R7016	6000

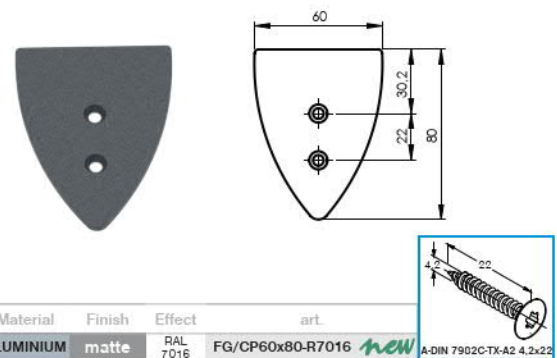


Material	Finish	Effect	art.	MODEL
ALUMINIUM	matte	RAL 7016	FG/RDC40-20-R7016	20 <i>new</i>



Material	Finish	Effect	art.
ALUMINIUM	matte	RAL 7016	FG/BP115x100x10-R7016

A-DIN 7991-A2 M0x35 *new*

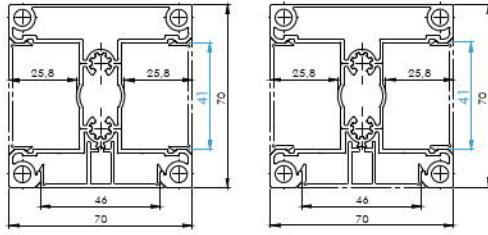
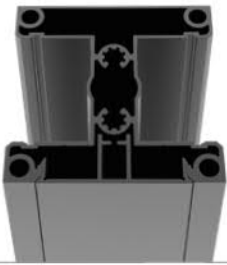


Material	Finish	Effect	art.
ALUMINIUM	matte	RAL 7016	FG/CP60x80-R7016

A-DIN 7902C-TX-A2 4.2x22 *new*

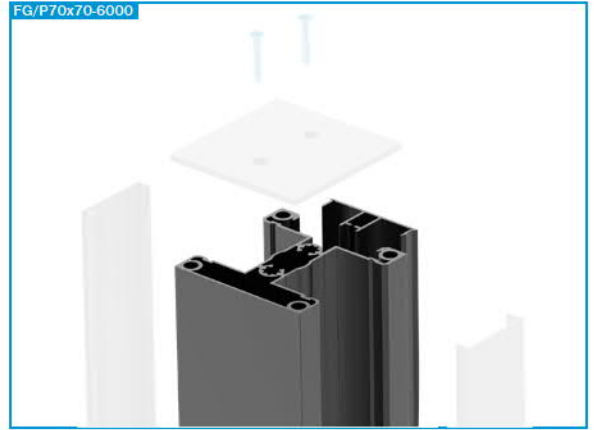
Illustrative renders



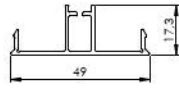


FG/P70x70-6000

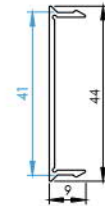
FG/FP70x70L-6000



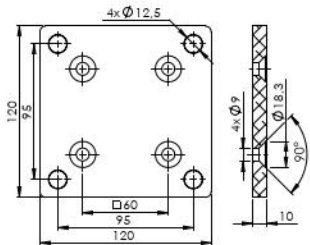
Material	Finish	Effect	art.	L	MODEL	MOUNT system
ALUMINIUM	matte	RAL 7016	FG/FP70x70-1850-R7016	1850	40	P40
			FG/FP70x70-2500-R7016	2500		
			FG/FP70x70-6000-R7016	6000		
	natural	-	FG/FP70x70-6000-N	6000		
			FG/P70x70-1850-R7016	1850		
			FG/P70x70-2500-R7016	2500		
matte	RAL 7016	FG/P70x70-6000-R7016	6000			
		natural	-	FG/P70x70-6000-N	6000	



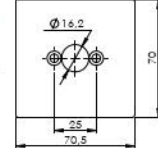
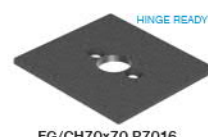
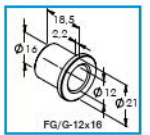
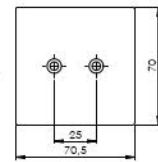
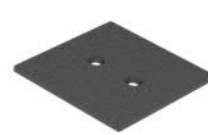
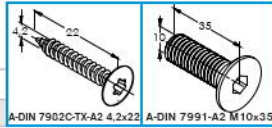
Material	Finish	Effect	art.	L
ALUMINIUM	matte	RAL 7016	FG/PC49x17-1850-R7016	1850
			FG/PC49x17-6000-R7016	6000
	natural	-	FG/PC49x17-7000-N	7000



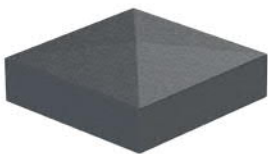
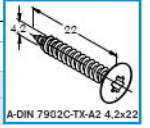
Material	Finish	Effect	art.	L
ALUMINIUM	matte	RAL 7016	FG/AF41x9-1850-R7016	1850
			FG/AF41x9-6000-R7016	6000
	natural	-	FG/AF41x9-6000-N	7000



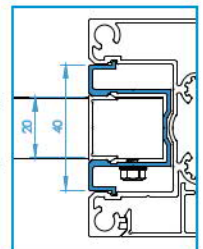
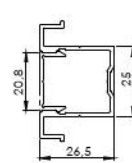
Material	Finish	Effect	art.
ALUMINIUM	matte	RAL 7016	FG/BP120x120x10-R7016



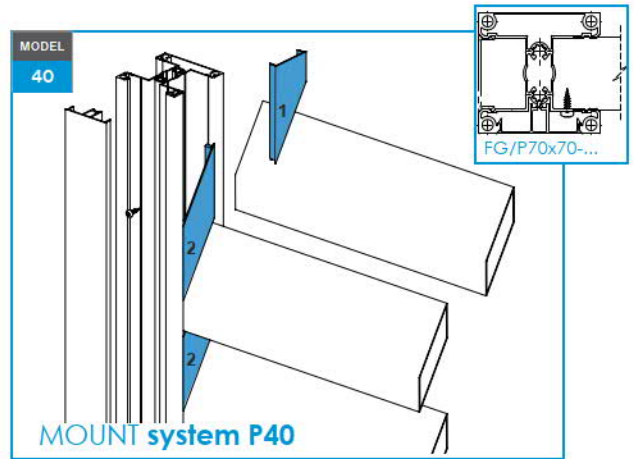
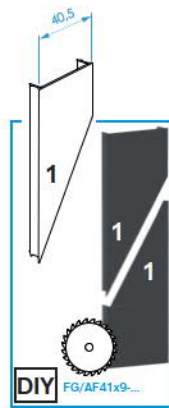
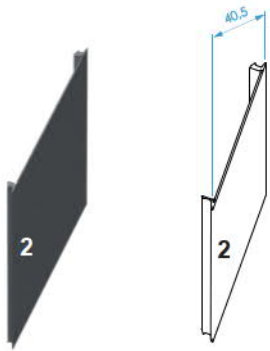
Material	Finish	Effect	art.
ALUMINIUM	matte	RAL 7016	FG/CP70x70-R7016
			FG/CH70x70-R7016



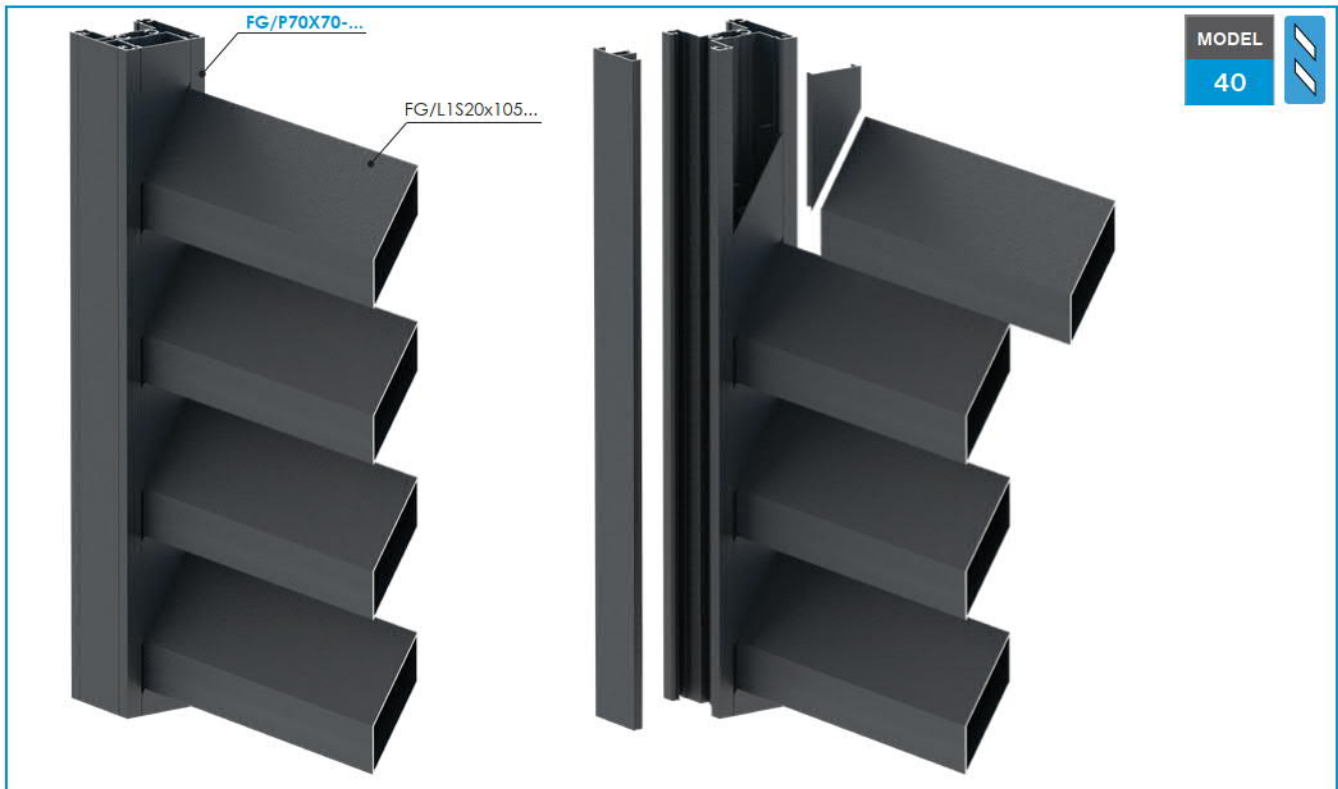
Material	Finish	Effect	art.
ALUMINIUM	matte	RAL 7016	YDG06AL01-70x70/7016-G
PVC			YDG06PE01-70x70/7016-G



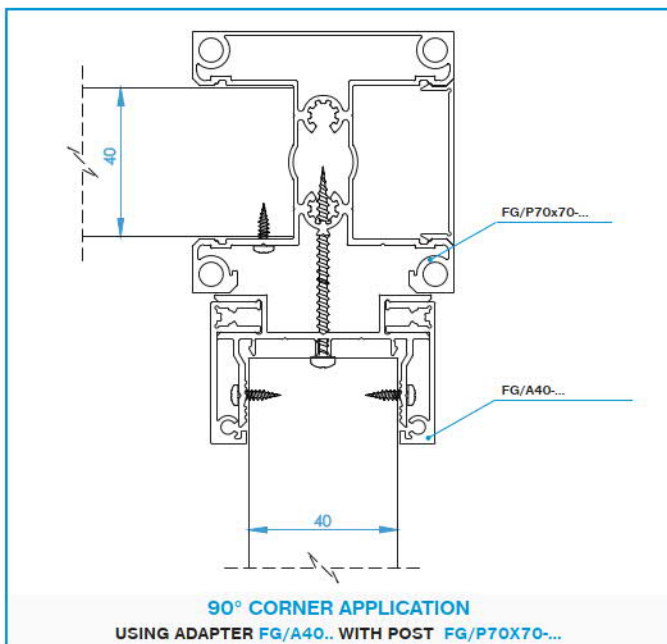
Material	Finish	Effect	art.
ALUMINIUM	natural	RAL 7016	FG/RDC40-20-R7016

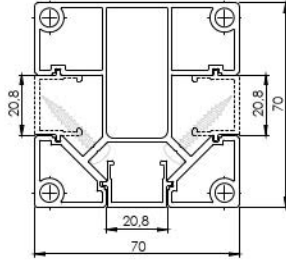
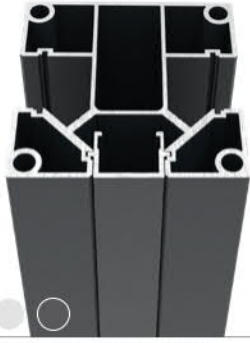


Material	Finish	Effect	recommended use	MODEL
ALUMINIUM	matte	RAL 7016	(see MOUNT system L2, or P40)	40

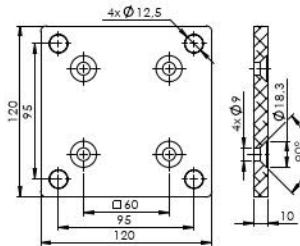
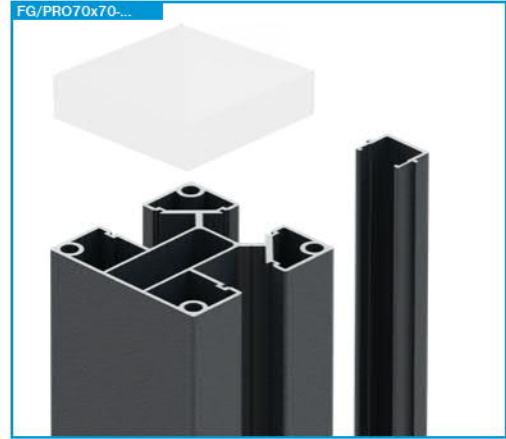
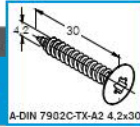


5  
POSTS

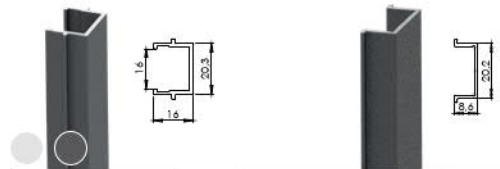
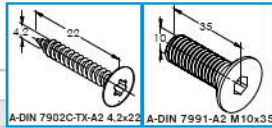




Material	Finish	Effect	art.	L	MODEL
ALUMINIUM	matte	RAL 7016	FG/PRO70x70-1850-R7016	1850	20
			FG/PRO70x70-6000-R7016	6000	
	natural	-	FG/PRO70x70-6000-N	6000	

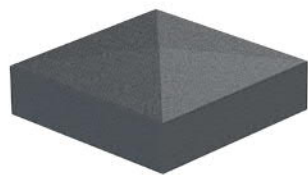


Material	Finish	Effect	art.
ALUMINIUM	matte	RAL 7016	FG/BP120x120x10-R7016

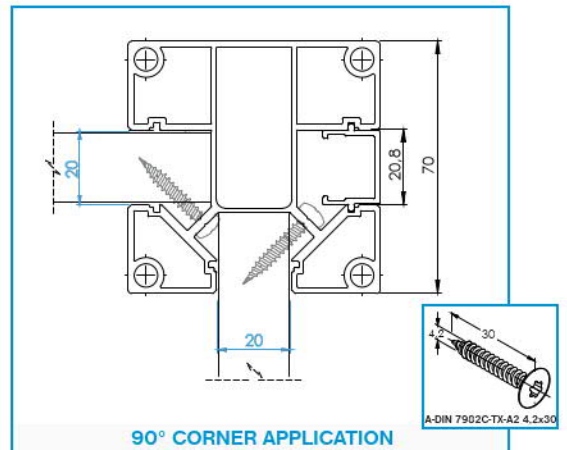


Material	Finish	Effect	art.	L
ALUMINIUM	matte	RAL 7016	FG/PC20x16-20-R7016	20
			FG/PC20x16-50-R7016	50
			FG/PC20x16-1850-R7016	1850
			FG/PC20x16-6000-R7016	6000
			FG/PC20x8-20-R7016	20
			FG/PC20x8-50-R7016	50
			FG/PC20x8-2000-R7016	2000
	natural	-	FG/PC20x8-2000-N	2000

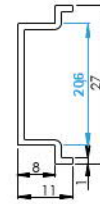
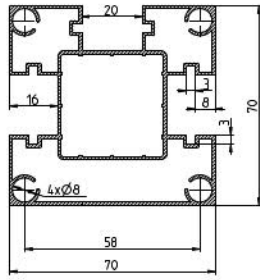
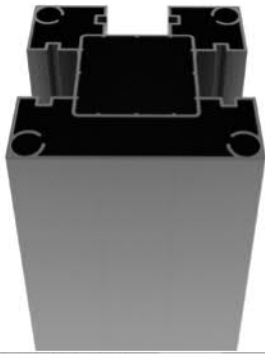
*new*  
*new*  
*new*  
*new*  
*new*



Material	Finish	Effect	art.
ALUMINIUM	matte	RAL 7016	YDG06AL01-70x70/7016-G
PVC			YDG06PE01-70x70/7016-G

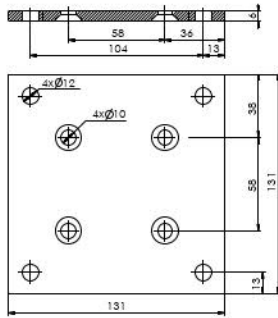
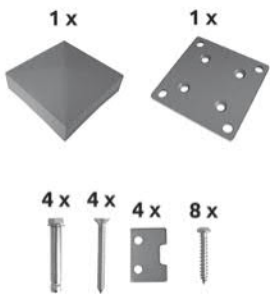


90° CORNER APPLICATION

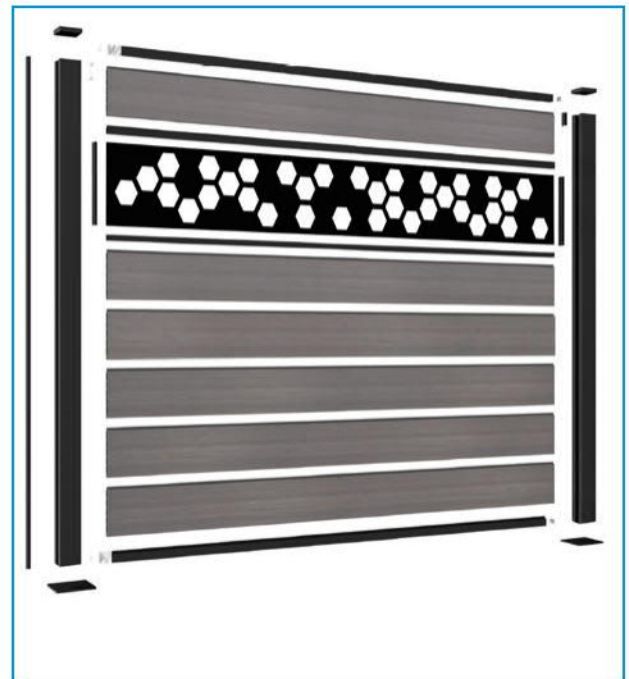
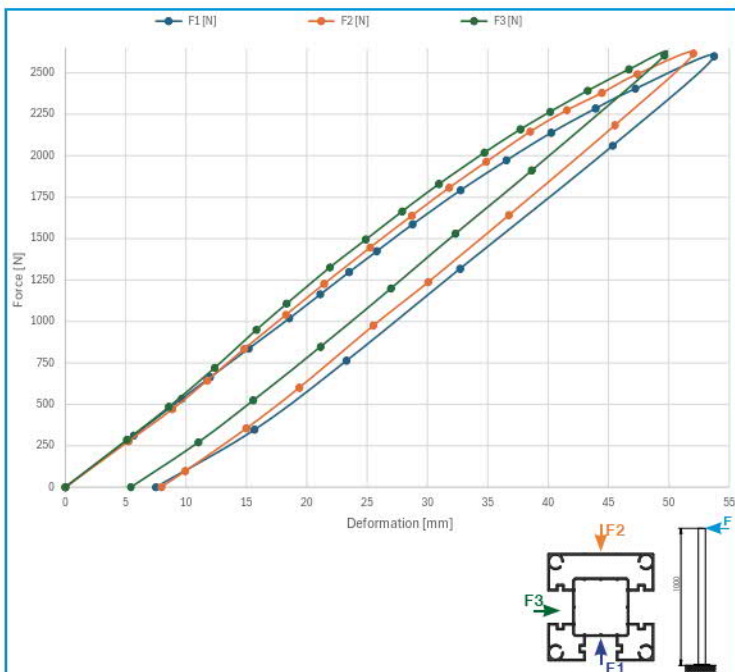
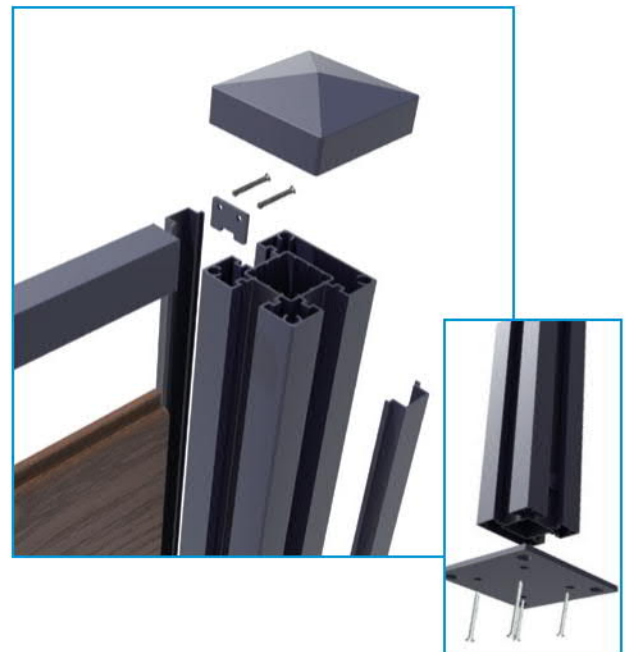


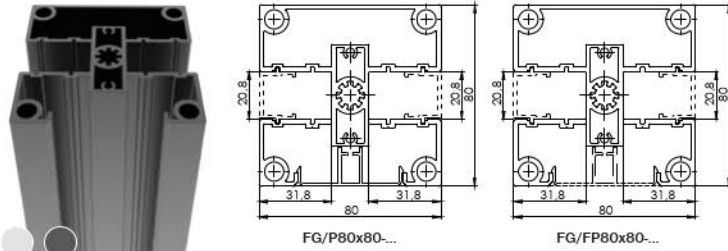
Material	Finish	Effect	art.	L	MODEL
ALUMINIUM	matte	RAL 7016	YDG01AL03-1850/7016-G	1850	20
			YDG01AL03-2500/7016-G	2500	

Material	Finish	Effect	art.	L
ALUMINIUM	matte	RAL 7016	YDG03AL02-1850/7016-G	1850
			YDG03AL05-0020/7016-G	20
			YDG03AL05-0050/7016-G	50



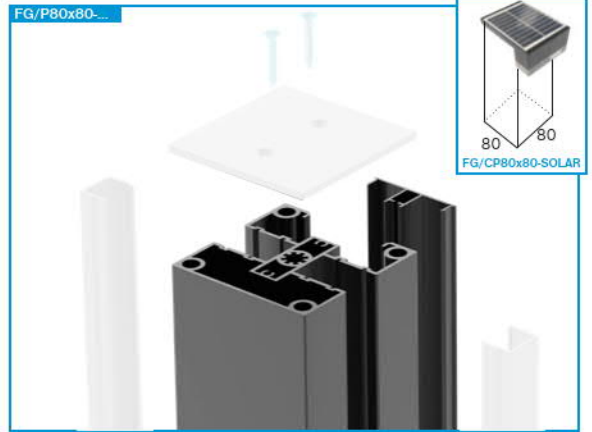
Material	Finish	Effect	art.
ALUMINIUM	matte	RAL 7016	YDG02AL02-130X130/7016K-G





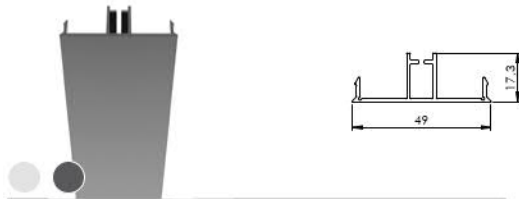
FG/P80x80...

FG/FP80x80...

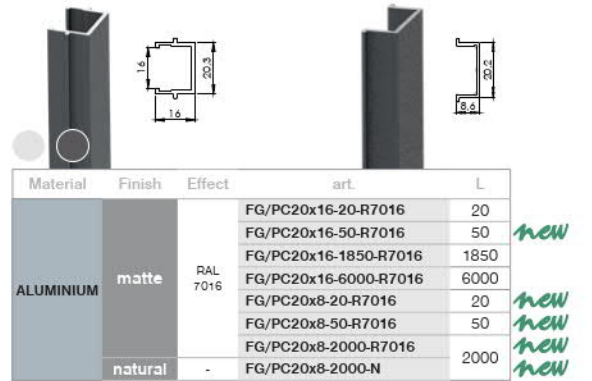


FG/CP80x80-SOLAR

Material	Finish	Effect	art.	L	MODEL
ALUMINIUM	matte	RAL 7016	FG/FP80x80-1850-R7016	1850	20
		-	FG/FP80x80-6000-R7016	6000	
	natural	-	FG/FP80x80-6000-N	1850	
		RAL 7016	FG/P80x80-1850-R7016	6000	
	matte	-	FG/P80x80-6000-R7016	6000	
		-	FG/P80x80-6000-N	6000	

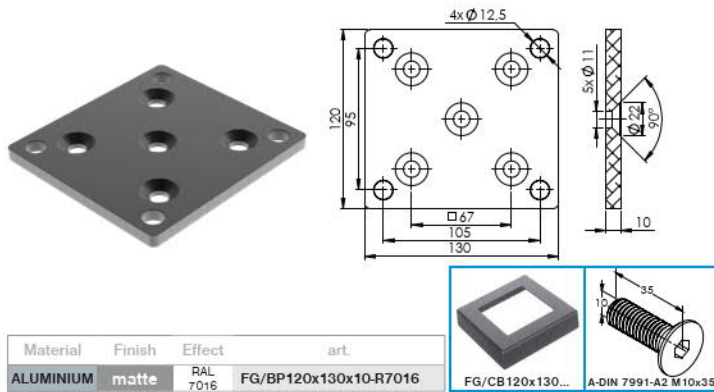


Material	Finish	Effect	art.	L
ALUMINIUM	matte	RAL 7016	FG/PC49x17-1850-R7016	1850
		-	FG/PC49x17-6000-R7016	6000
	natural	-	FG/PC49x17-7000-N	7000

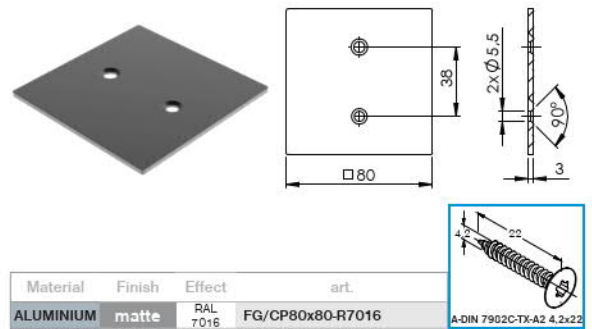


Material	Finish	Effect	art.	L
ALUMINIUM	matte	RAL 7016	FG/PC20x16-20-R7016	20
		-	FG/PC20x16-50-R7016	50
		-	FG/PC20x16-1850-R7016	1850
		-	FG/PC20x16-6000-R7016	6000
	natural	-	FG/PC20x8-20-R7016	20
		-	FG/PC20x8-50-R7016	50
		-	FG/PC20x8-2000-R7016	2000
		-	FG/PC20x8-2000-N	2000

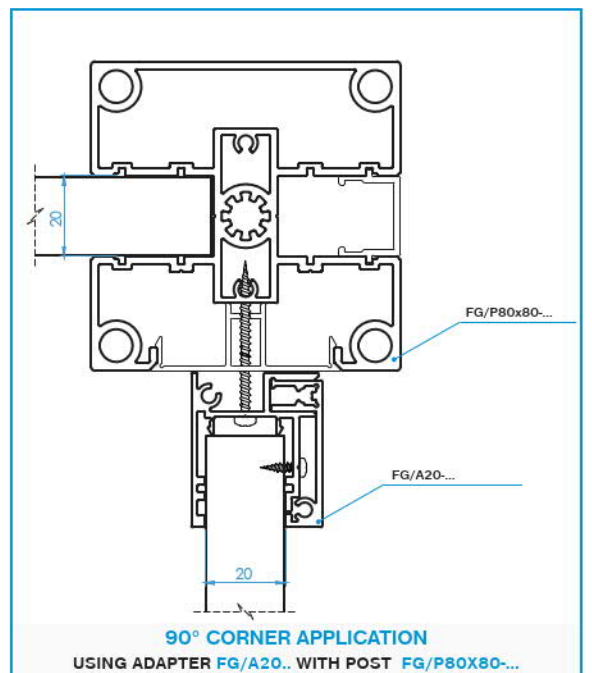
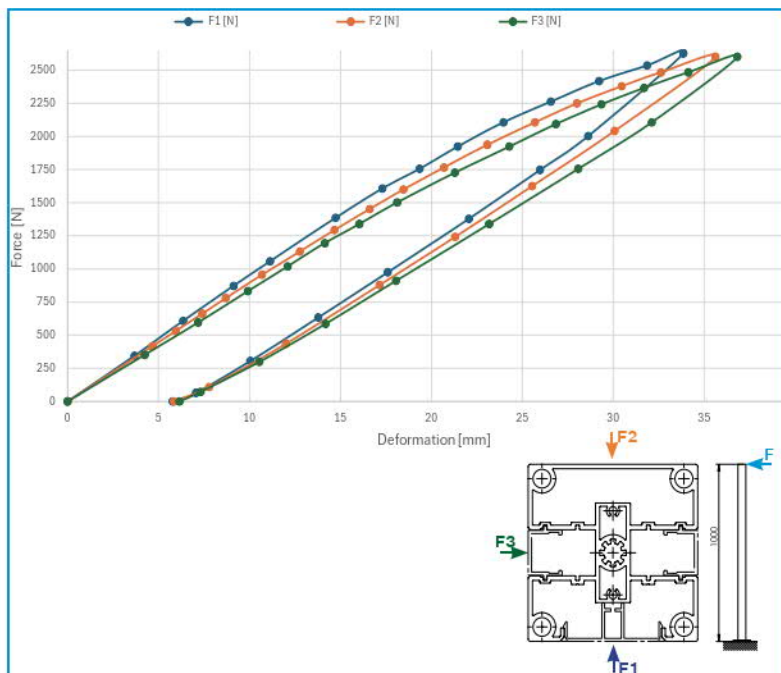
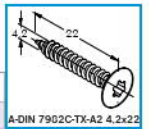
new  
new  
new  
new



Material	Finish	Effect	art.
ALUMINIUM	matte	RAL 7016	FG/BP120x130x10-R7016

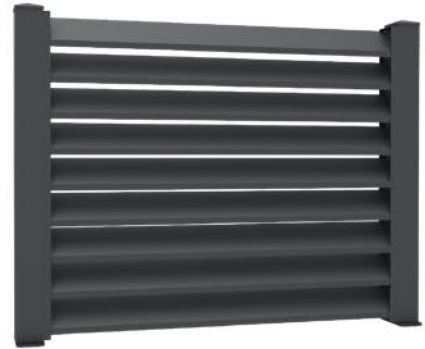
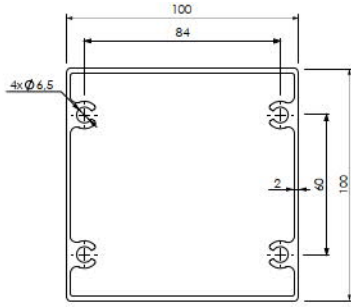


Material	Finish	Effect	art.
ALUMINIUM	matte	RAL 7016	FG/CP80x80-R7016



90° CORNER APPLICATION  
USING ADAPTER FG/A20.. WITH POST FG/P80x80...





Material	Finish	Effect	art.	L	MODEL
ALUMINIUM	matte	RAL 7016	AL/9465-6000-R7016	6000	UNI
	natural	-	AL/9465-6000-N		

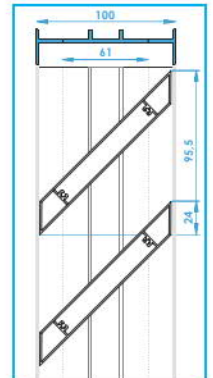
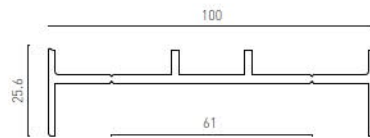
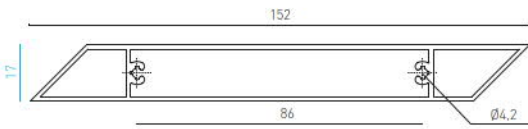
ANCHORING OPTION



Material	Finish	Effect	art.
ALUMINIUM	matte	RAL 7016	AL/5402-R7016

Quality	Finish	art.
AISI304	raw	A-DIN 975-1587 M10x100

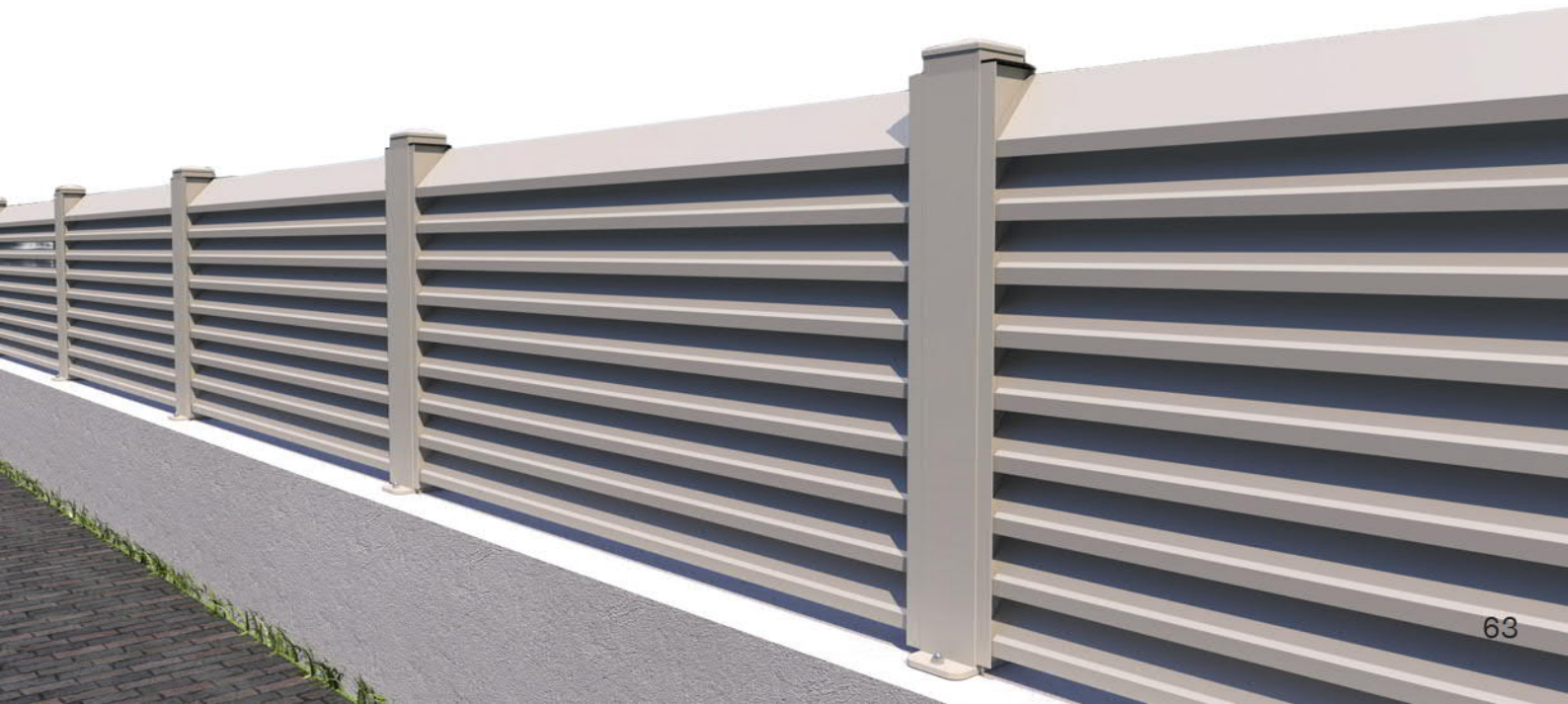
art.	ml	quality
Q5/01B-300		
Q5/01B-400		vinylester
Q5/01B-400 Winter		

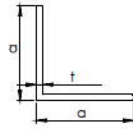


Material	Finish	Effect	art.	L
ALUMINIUM	matte	RAL 7016	AL/9463-6000-R7016	6000
	natural	-	AL/9463-6000-N	

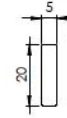


Material	Finish	Effect	art.	L
ALUMINIUM	matte	RAL 7016	AL/9464-6000-R7016	6000
	natural	-	AL/9464-6000-N	

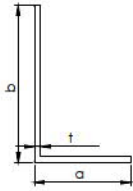




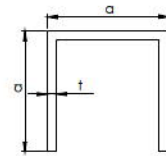
Material	Finish	Effect	art.	a	t	L
ALUMINIUM	natural	-	AL/L15x15x1,5-6000	15	1,5	6000
			AL/L20x20x2-6000	20	2	
			AL/L40x40x3-6000	40	3	
			AL/L50x50x3-6000	50	3	



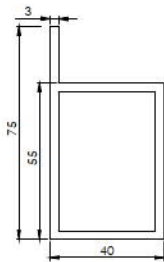
Material	Finish	Effect	art.	t	L
ALUMINIUM	natural	-	AL/20x5-6000	5	6000
		black	AL/20x5-6000-R9005	5	



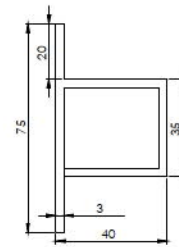
Material	Finish	Effect	art.	a	b	t	L
ALUMINIUM	natural	-	AL/L30x20x2-6000	20	30	2	6000
			AL/L40x20x2-6000		40		
			AL/L40x30x2-6000	30	50	3	
			AL/L50x30x2-6000		60		
			AL/L60x30x3-6000	50	80	3,2	
			AL/L80x50x3,2-6000		80		



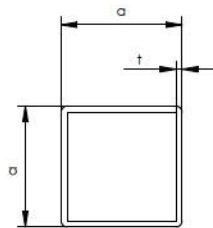
Quality	Finish	Effect	art.	a	t	L
ALUMINIUM	natural	-	AL/U25x25x2-6000	25	2	6000
			AL/U40x40x3-6000	40	3	
			AL/U50x50x3-6000	50	3	



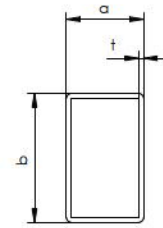
Material	Finish	Effect	art.	t	L
ALUMINIUM	natural	-	AL/P75x55x40x3-6000	3	6000



Material	Finish	Effect	art.	t	L
ALUMINIUM	natural	-	AL/T75x35x40x3-6000	3	6000



Material	Finish	Effect	art.	a	t	L
ALUMINIUM	natural	-	AL/15x15x1,5-6000	15	1,5	6000
			FG/S20x20-6000-N	20	2	
			AL/25x25x2-6000	25	2	
			AL/30x30x2-6000	30	2	
			AL/40x40x2-6000	40	2	
			AL/40x40x3-6000	40	3	
			AL/50x50x2-6000	50	2	
			AL/50x50x3-6000	50	3	
			AL/60x60x2-6000	60	2	
			AL/80x80x3-6000	80	3	
			AL/100x100x3-6000	100	3	



Material	Finish	Effect	art.	a	b	t	L
ALUMINIUM	natural	-	FG/S20x40-6000-N	40		1,2	6000
			FG/S20x60-6000-N	60			
			FG/S20x80-6000-N	80	20		
			FG/S20x100x1-6000-N	100		1	
			FG/S20x120-6000-N	120			
			AL/50x30x2-6000	30		2	
			AL/50x40x3-6000		50	3	
			FG/40x60x1-6000-N			1	
			AL/60x40x2-6000	40	60	2	
			AL/60x40x3-6000			3	
			AL/80x40x3-6000			3	
			AL/80x40x2-6000		80	2	
			AL/80x50x3-6000	50		3	
			AL/80x60x3-6000	60		3	
			AL/100x50x3-6000	50	100		



Quality	Finish	Effect	art.
ALUMINIUM	natural	silver	FG/BP200X200-01-N



Quality	Finish	Effect	art.
ALUMINIUM	natural	silver	FG/BP200X200-02-N



Quality	Finish	Effect	art.	a
ALUMINIUM	natural	silver	FG/C80x80-01-N	80
			FG/C100x100-01-N	100



Quality	Finish	Effect	art.	a
ALUMINIUM	natural	silver	FG/C80x80-02-N	80
			FG/C100x100-02-N	100



Quality	Finish	Effect	art.	a
ALUMINIUM	natural	silver	FG/C60x60-03-N	60
			FG/C80x80-03-N	80
			FG/C100x100-03-N	100



Quality	Finish	Effect	art.	a
ALUMINIUM	natural	silver	FG/BP60x60U-N	60
			FG/BP80x80U-N	80
			FG/BP100x100U-N	100
			FG/BP120x120U-N	120

# 6 GATES



MODEL

20

ADVANTAGES VÝHODY	UMAKOV MONTAGE SYSTEM UMAKOV MONTÁŽNY SYSTÉM	WELDED SYSTEM ZVÁRANÝ SYSTÉM
VARIETY OF COLORS & DECORS FAREBNOSŤ A DEKOR	✓	X
REPLACEMENT OF DAMAGED PARTS VÝMENA POŠKODENÝCH DIELOV	✓	X
FINAL SURFACE TREATMENT KONEČNÁ POVRCHOVÁ ÚPRAVA	✓	X
NO SURFACE CRACKS DUE TO DILATATION BEZ TRHLÍN V POVRCHOVEJ ÚPRAVE VPLYVOU DILATÁCIE	✓	X
ASSEMBLY SPEED RÝCHLOSŤ MONTÁŽE	■■■	■■■■■
NO PROFESSIONAL WORK IS NECESSARY BEZ NUTNOSTI ODBORNEJ PRÁCE	✓	X
STRENGTH OF THE STRUCTURE PEVNOSŤ KONŠTRUKCIE	100%	150%



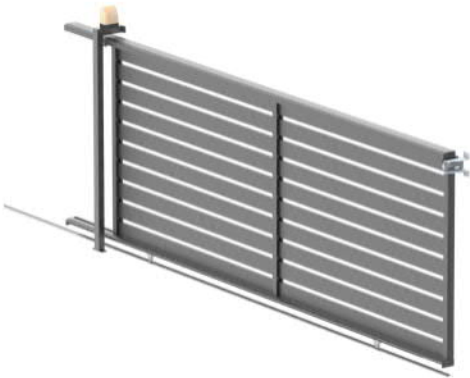
**FRAME  
SSG**

**SINGLE-SWING GATE**



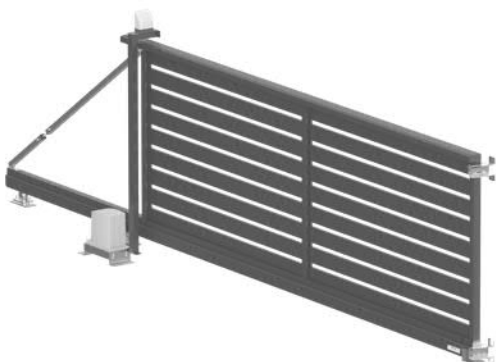
**FRAME  
DSG**

**DOUBLE-SWING GATE**



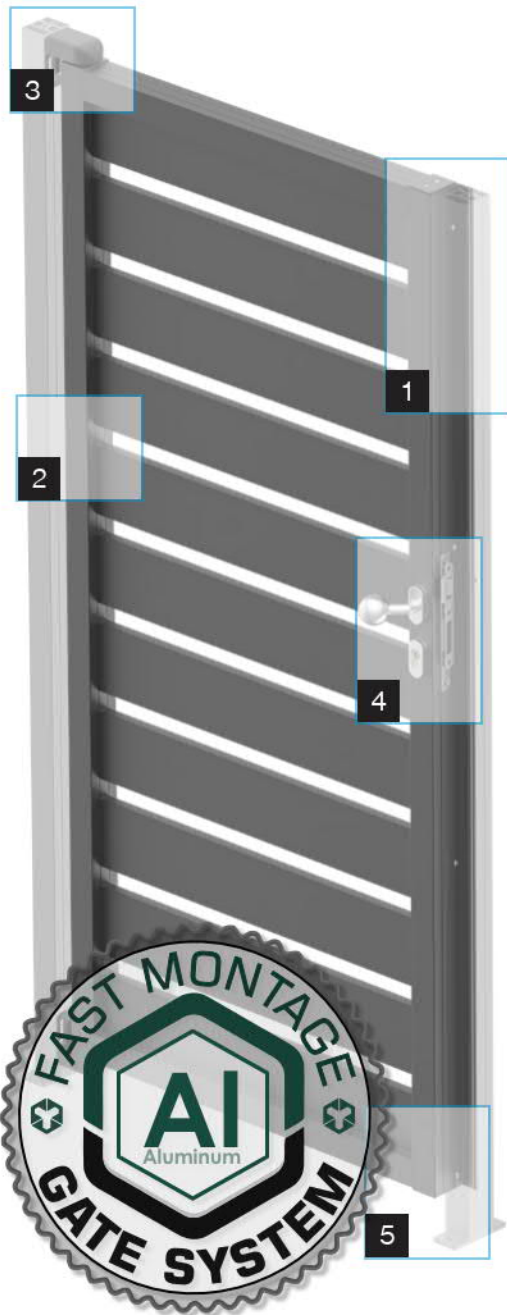
**FRAME  
RLG**

**ROLLING GATE**

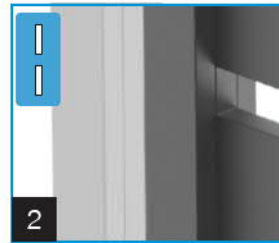


**FRAME  
CLG**

**CANTILEVER GATE**



N.	IMAGE	ART.	pcs
1.1		FG/P50x60-1850-R7016	2x
1.2		FG/P50x60M-1850-R7016	1
1.3		FG/PC20x16-1850-R7016	3x
1.4		FG/CP50x60-R7016	2x
1.5		A-DIN 912-A2 M10x60	4x
1.6		A-DIN 7982C-TX-A2 4,2x22	8x



N.	IMAGE	ART.	pcs
2.1		FG/S20x100x1,1-3000-R7016	5x
2.2		FG/PC20x16-20-R7016	28x
		A-DIN 7504K-A2 4,2x16	60



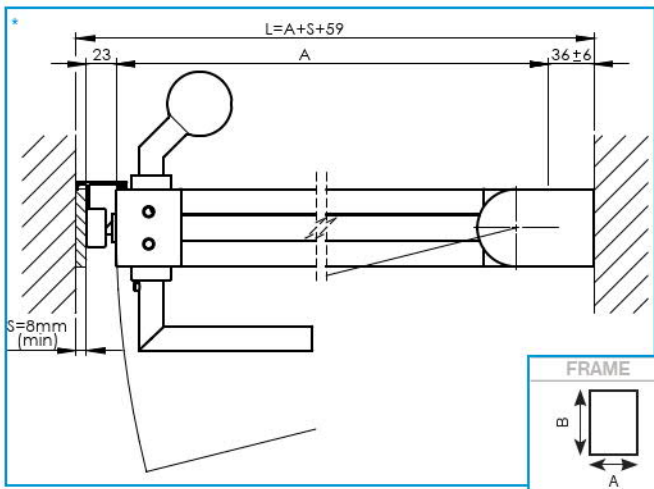
N.	IMAGE	ART.	pcs
3.1		D4/84-40x40-GREY	1x
3.2		FG/CH50x60-R7016	2x



N.	IMAGE	ART.	pcs
4.1		D8/05G-Li	1x
4.2		B8/07T-30x15	1x
4.3		B8/30-30x85	1x
4.4		A-DIN 7505A 5x35	2x
4.5		B1/19N-80	1x



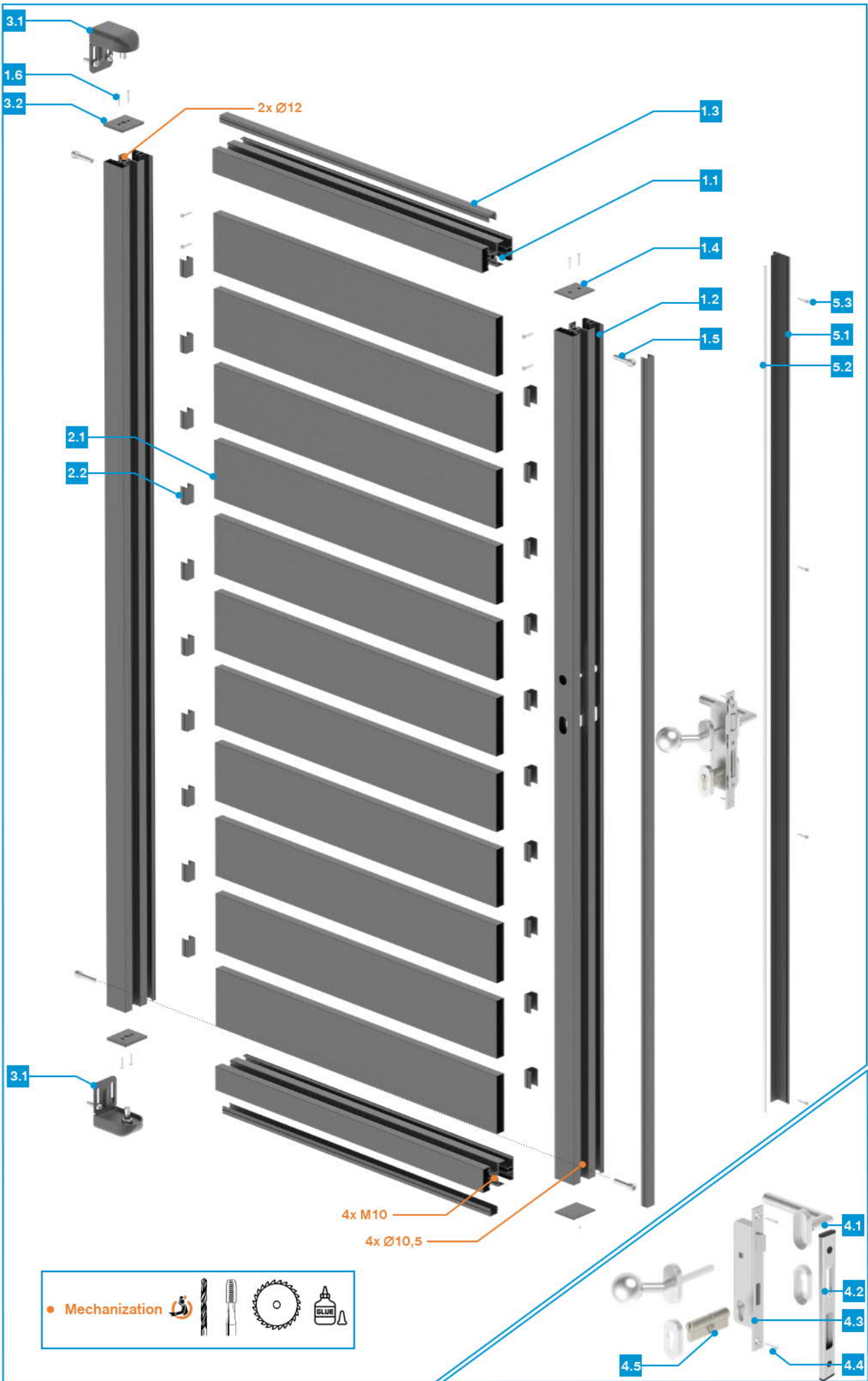
N.	IMAGE	ART.	pcs
5.1		FG/DS40x20-2000-R7016	1x
5.2		A19/4466-M	2m
5.3		A-PH 5x20	5x

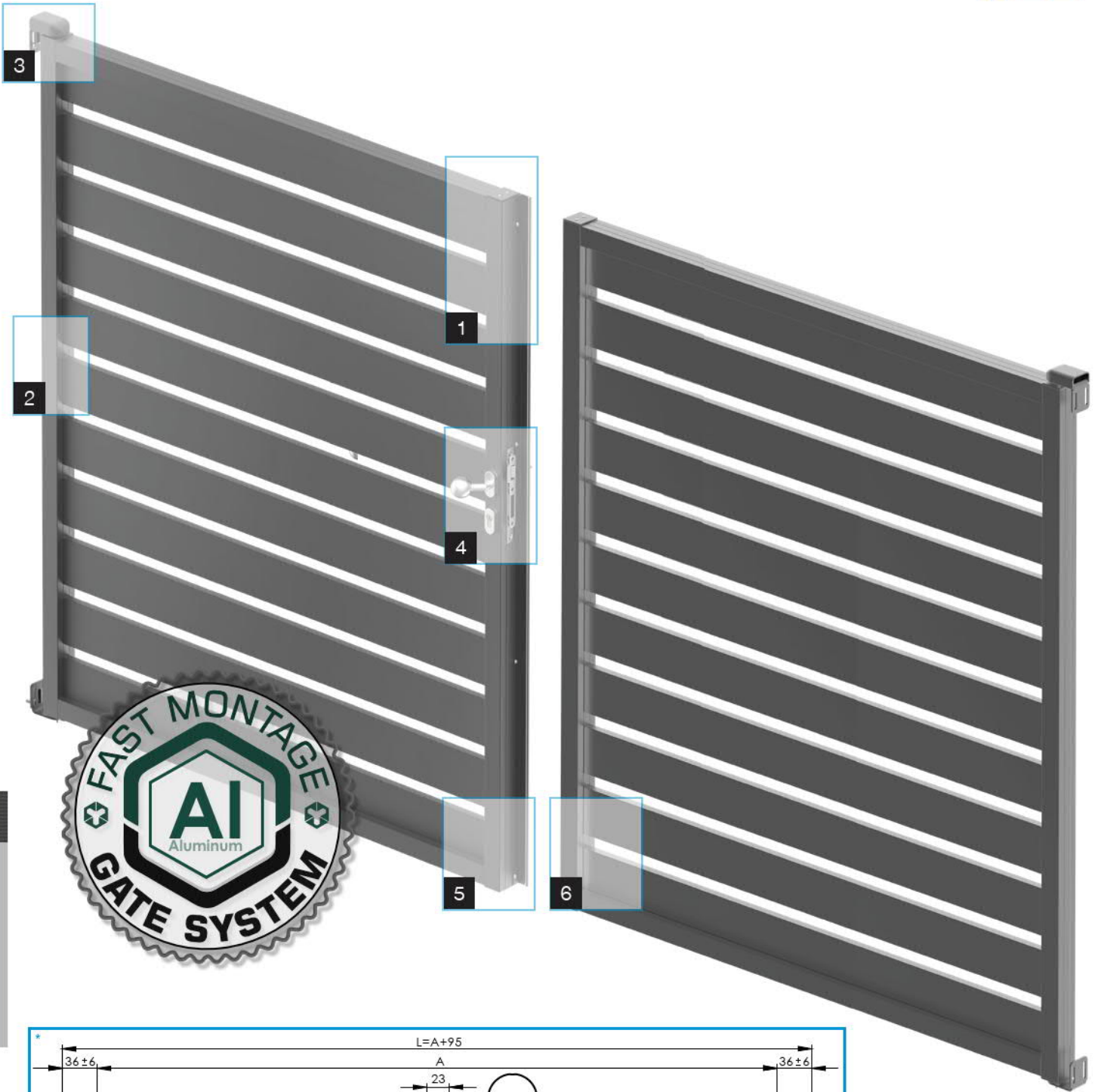


Material	Finish	Effect	art.	A	B	L
ALUMINIUM natural	RAL7016	FG/S-SSG-R7016-SET		*1025	*1850	* S+1084

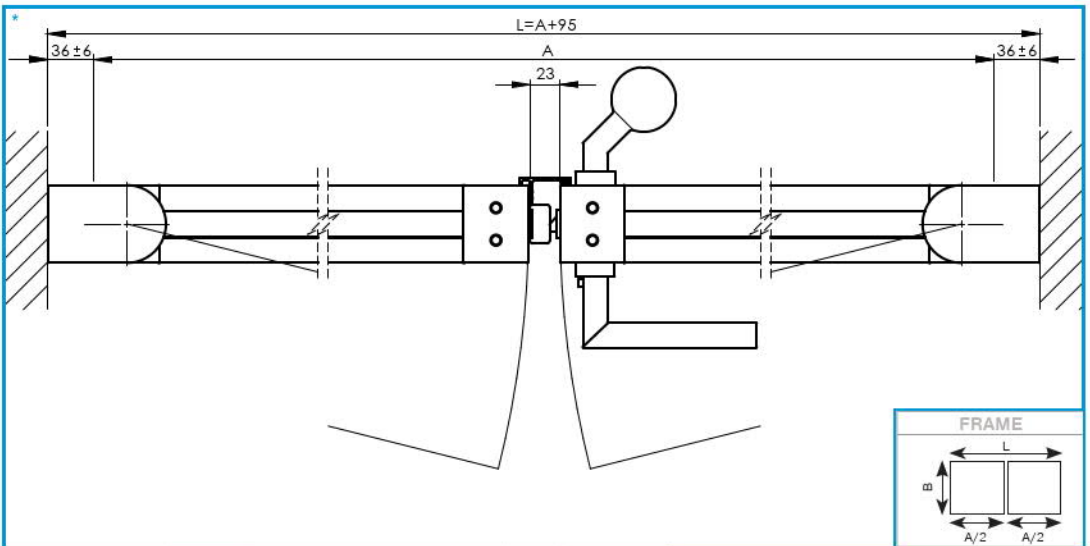
\* The technical solution and gate dimensions are for illustration only.

thermal expansion 0,02mm/1m/1°C





6  
GATES



Material	Finish	Effect	art.	A	B	L
ALUMINIUM	natural	RAL7016	FG/S-DSG-R7016-SET	*3923	*1850	*3995
				max		



**1**

N.	IMAGE	ART.	pcs
1.1		FG/P50x60-1850-R7016	7x
1.2		FG/P50x60M-1850-R7016	1
1.3		FG/PC20x16-1850-R7016	8x
1.4		FG/CP50x60-R7016	4x
1.5		A-DIN 912-A2 M10x60	8x
1.6		A-DIN 7982C-TX-A2 4,2x22	16x

**2**

N.	IMAGE	ART.	pcs
2.1		FG/S20x100x1,1-2000-R7016	30x
2.2		FG/PC20x16-20-R7016	56x
2.3		A-DIN 7504K-A2 4,2x16	120

**3**

N.	IMAGE	ART.	pcs
3.1		D4/84-40x40-GREY	2x
3.2		FG/CH50x60-R7016	4x

**4**

N.	IMAGE	ART.	pcs
4.1		D8/05G-L-i	1x
4.2		B8/07T-30x15	1x
4.3		A-PH 5x20	2x
4.4		B8/30-30x85	1x
4.5		A-DIN 7505A 5x35	2x
4.6		B1/19N-80	1x

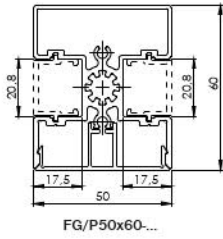
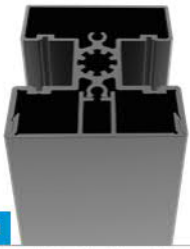
**5**

N.	IMAGE	ART.	pcs
5.1		FG/DS40x20-2000-R7016	1x
5.2		A19/4466-M	2m
5.3		A-PH 5x20	5x

**6**

N.	IMAGE	ART.	pcs
6.1		D8/12-300	1X
6.2		B8/32	1X
6.3		A4-DIN 7505A 5x45	4X

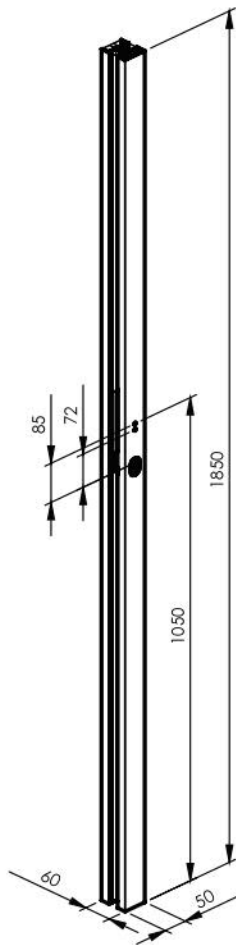
FRAME PROFILE 60x50 SWING GATE



FG/P50x60...

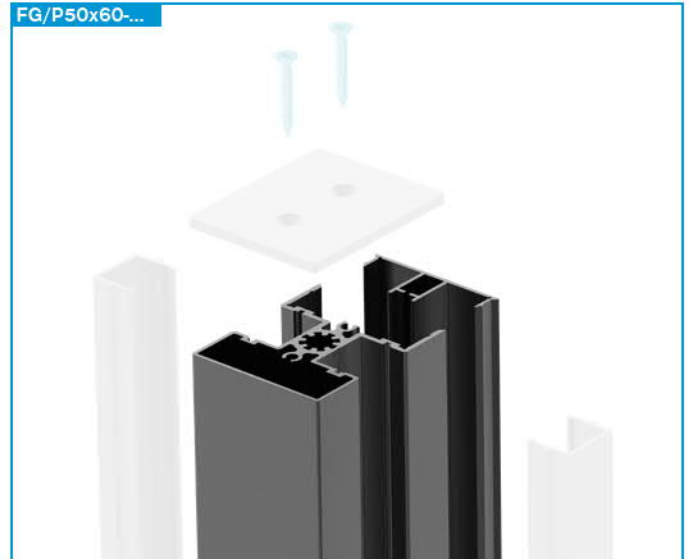
1.1

Material	Finish	Effect	art.	L	MODEL
ALUMINIUM	matte	RAL 7016	FG/P50x60-1850-R7016	1850	20



1.2

Material	Finish	Effect	art.	L	MODEL
ALUMINIUM	matte	RAL 7016	FG/P50x60M-1850-R7016	1850	20 universal



TO COVER 5mm predrilled holes, use plastic covers B1/64G-D5



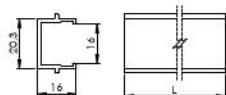
1x Ø18

B8/30-30x85

• Mechanization

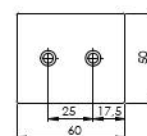
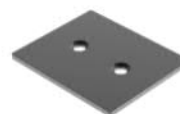
6

GATES



1.3

Material	Finish	Effect	art.	L
ALUMINIUM	matte	RAL 7016	FG/PC20x16-20-R7016	20
			FG/PC20x16-1850-R7016	1850

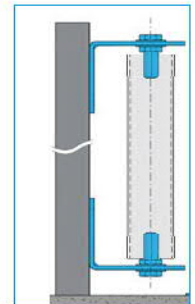
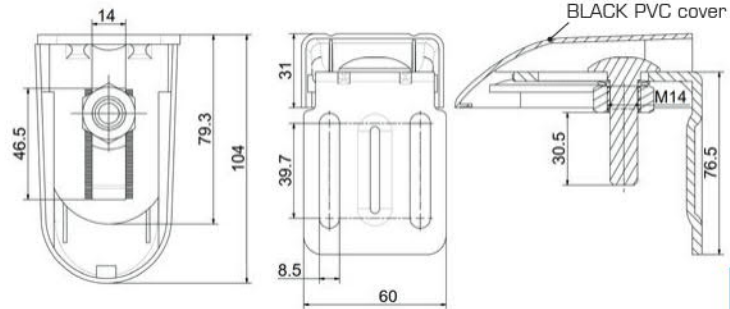
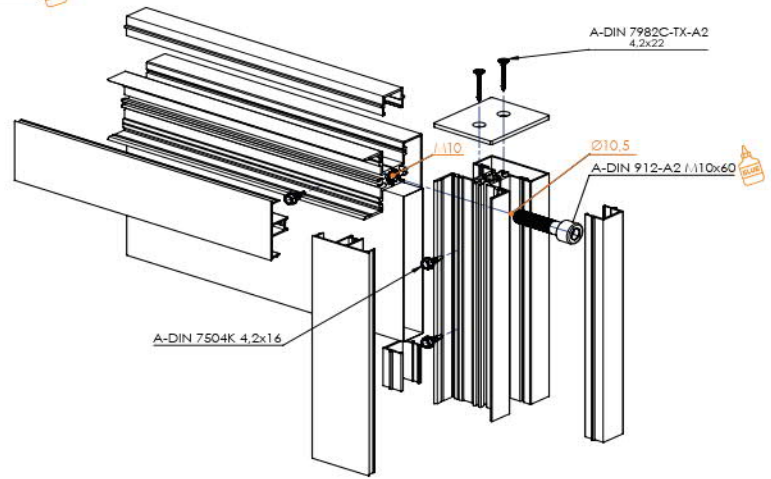
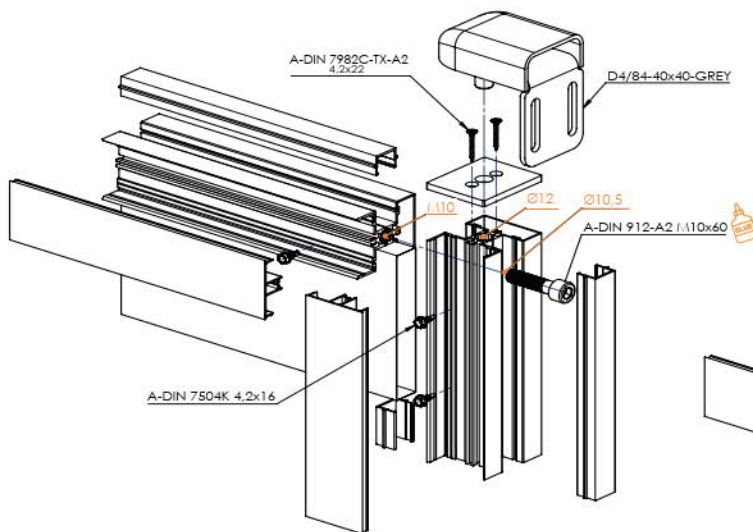


1.4

Material	Finish	Effect	art.
ALUMINIUM	matte	RAL 7016	FG/CP50x60-R7016

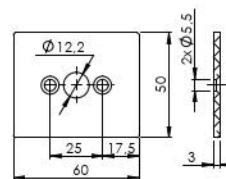
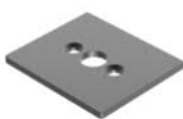


A-DIN 7902C-TX-A2 4.2x22

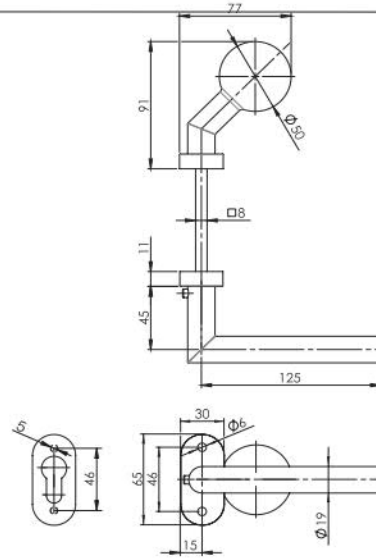


3.1 optional 3.1 → SECTION 7.

Quality	Finish	Effect	art.	Gmax/2pcs (kg)
Fe	Zn	RAL 9005	D4/84-40x40-BLACK	80

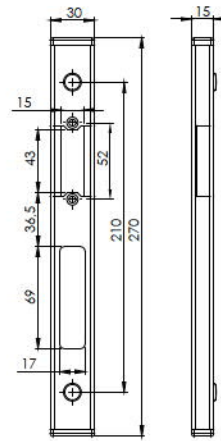


Material	Finish	Effect	art.
AISI304	natural	RAL 7016	FG/CH50x60-R7016



4.1 optional 4.1 SECTION 7.

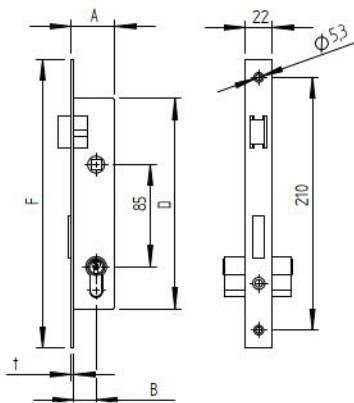
Quality	Finish	art.	Orientation	
AISI304	satın	D8/05G-L-i	left	fixed position



4.2 optional 4.2 SECTION 7.

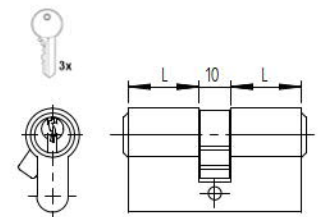
Quality	Finish	art.
AISI304	satın	B8/07T-30x15

OPTIONAL



4.4 optional 4.4 SECTION 7.

Quality	Finish	art.	A	B	D	F	t
AISI304	satın	B8/30-30x85	45	27	170	238	3

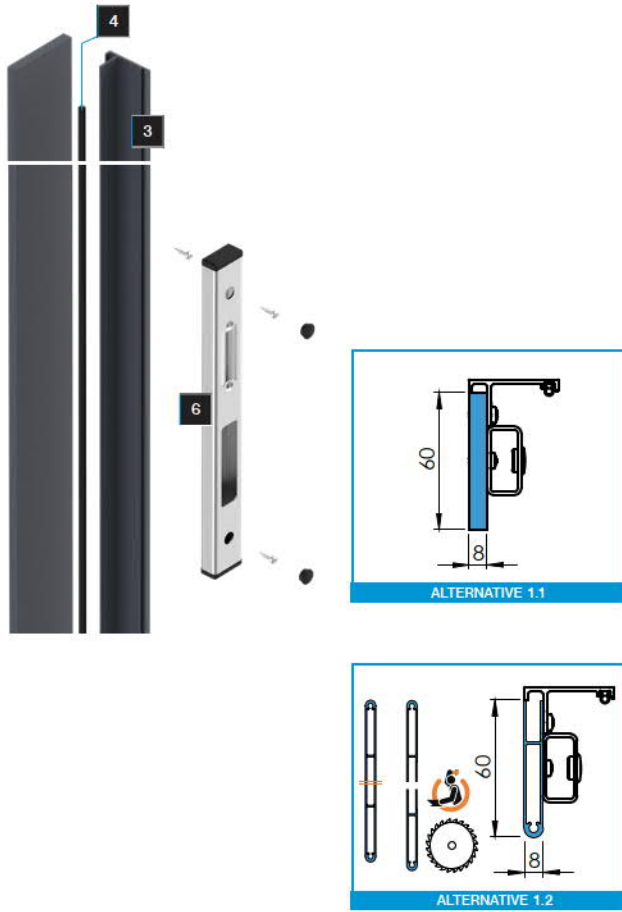


4.6 optional 4.6 SECTION 7.

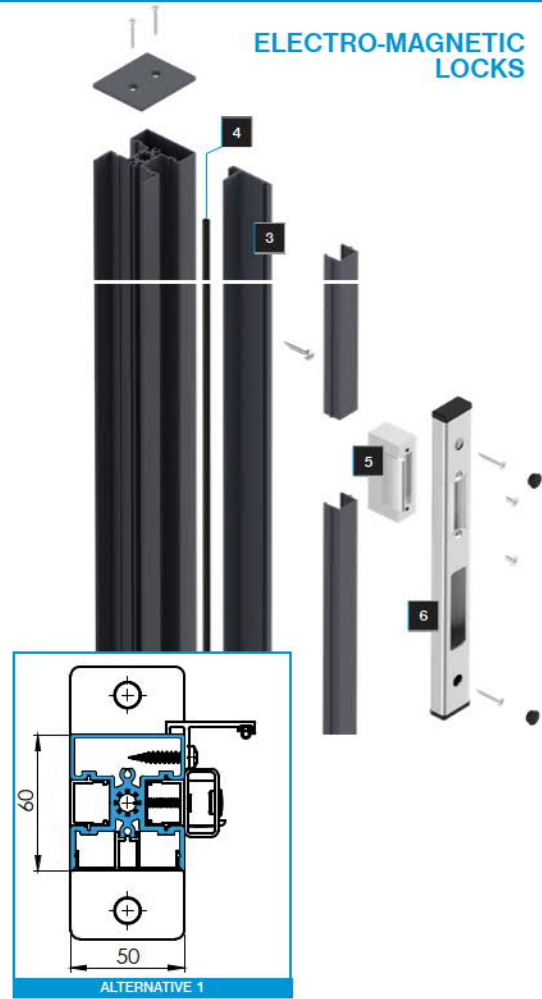
Quality	Finish	Effect	art.	L
BRASS	Ni	-	B1/19N-80	35

thermal expansion 0,02mm/1m/1°C

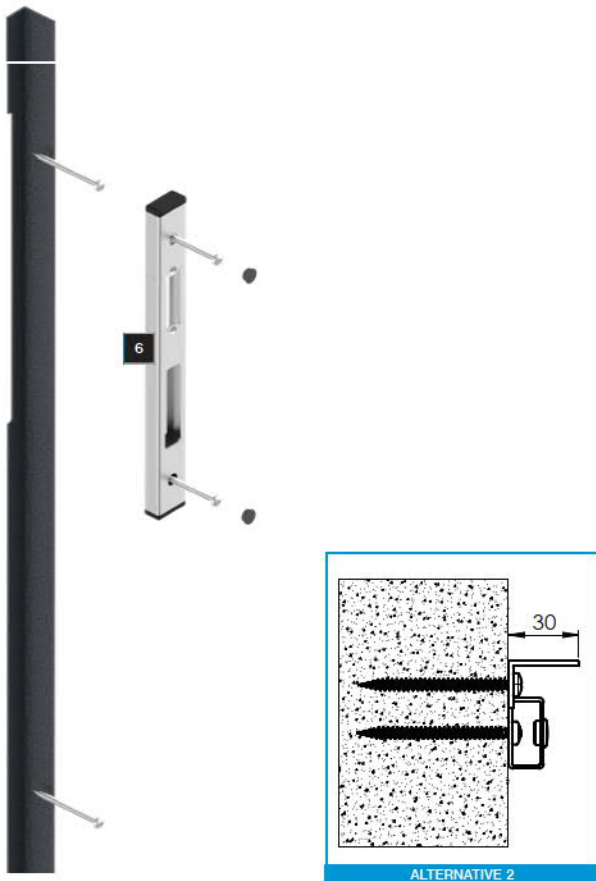
MECHANICAL LOCKS



ELECTRO-MAGNETIC LOCKS



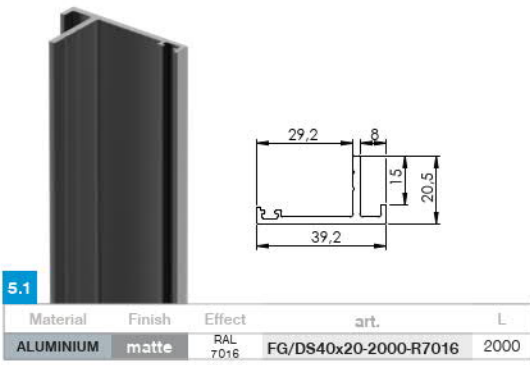
MECHANICAL LOCKS



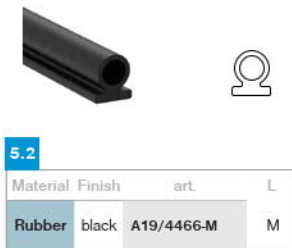
ELECTRO-MAGNETIC LOCKS



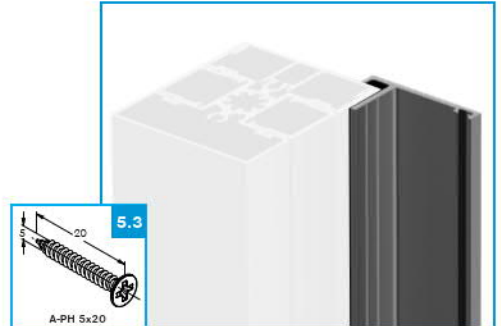
N.	IMAGE	ART.
1		FG/S20x60-...
2		FG/SC20x60-R7016
3		FG/DS40x20-2000-R7016
4		A19/4466-M
5		B1/10-...
6		B8/07T-30x15



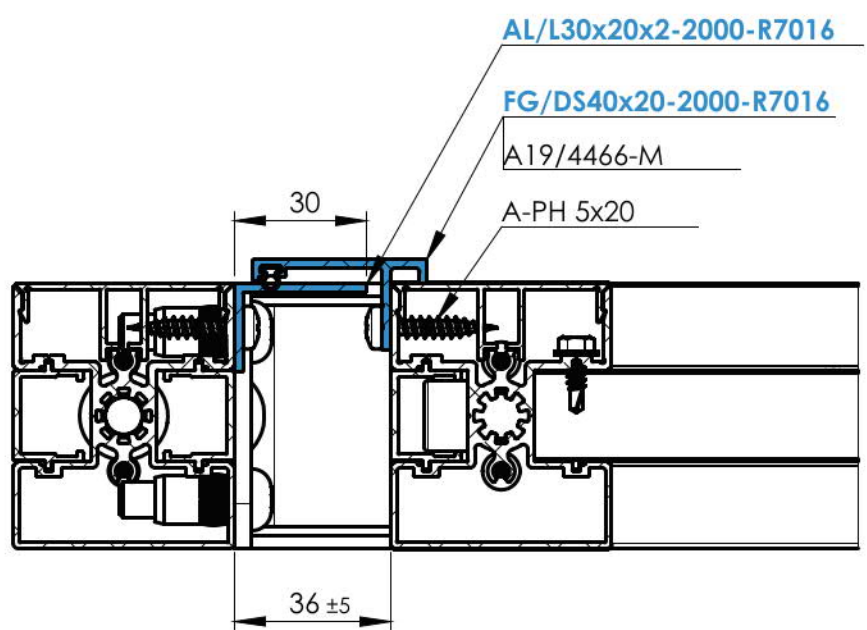
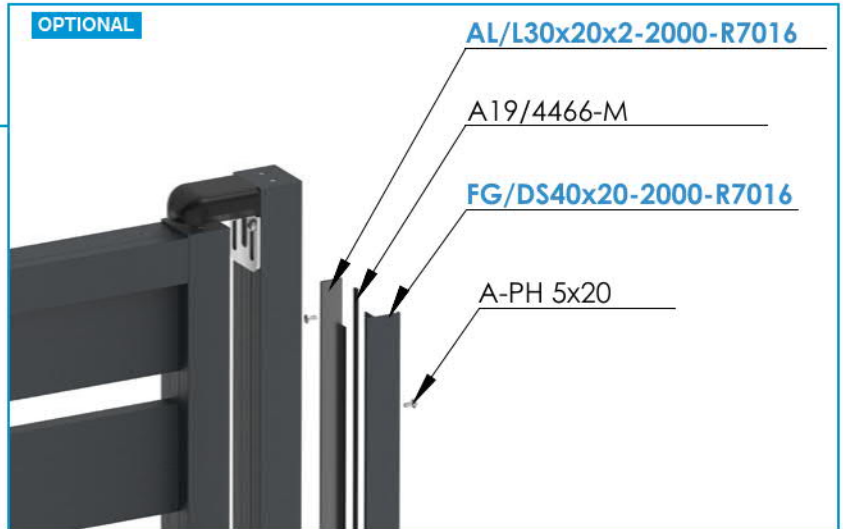
Material	Finish	Effect	art.	L
ALUMINIUM	matte	RAL 7016	FG/DS40x20-2000-R7016	2000

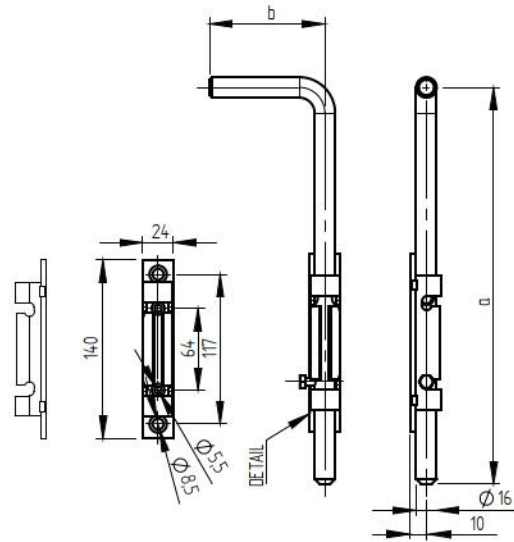


Material	Finish	art.	L
Rubber	black	A19/4466-M	M



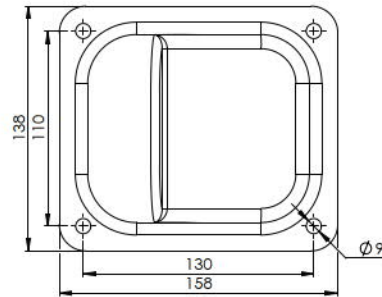
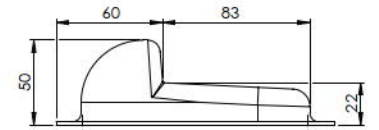
Material	Finish	art.	L
ALUMINIUM	matte	A19/4466-M	M





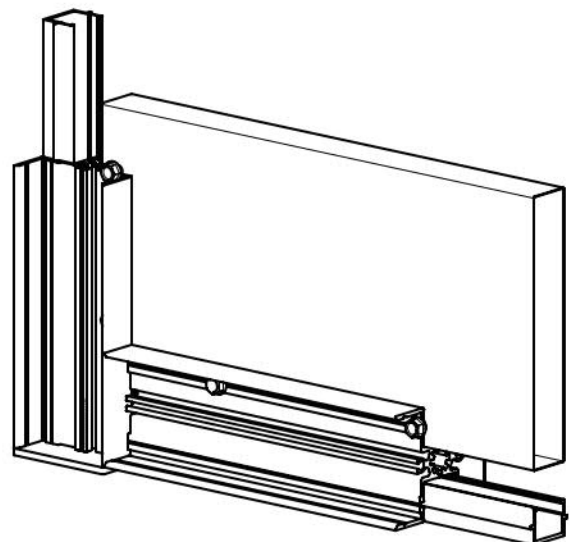
6.1 optional 6.1 → SECTION 7.

Quality	Finish	art.	a	b	
AISI304	natural	D8/12-300	300	90	✓



6.2

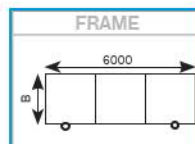
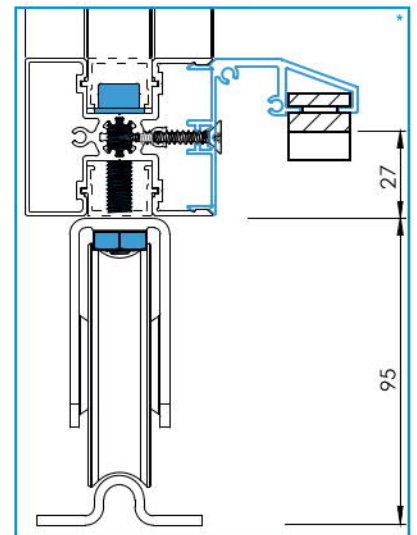
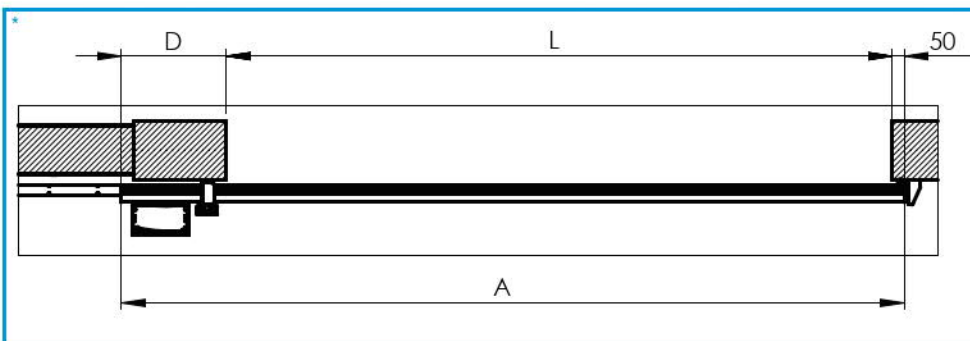
Quality	Finish	art.
AISI304	natural	B8/32





6

GATES



Material	Finish	Effect	art.	A	B	L
ALUMINIUM	natural	RAL7016	FG/S-RLG-R7016-SET	6000	2045	5500
				max		



**1**

N.	IMAGE	ART.	pcs
1.1		FG/P50x60-6000-R7016	2x
		FG/P50x60-1850-R7016	4x
1.2		FG/PC20x16-1850-R7016	2x
		FG/PC20x16-6000-R7016	2x
1.3		FG/CA105x50-R7016	4x
1.4		A-DIN 912-A2 M10x60	8x
1.5		A-DIN 7982C-TX-A2 4,2x22	8x

**2**

N.	IMAGE	ART.	pcs
2.1		FG/S20x100x1,1-2000-R7016	45x
2.2		FG/PC20x16-20-R7016	84x
2.3		A-DIN 7504K-A2 4,2x16	200x

**3**

N.	IMAGE	ART.	pcs
3.1		FG/UG54x50-6000-R7016	1x
3.2		H8/53	1x
3.3		FG/BG54x50-6000-R7016	1x
3.4		H/01PVC-AL	12x
3.5		H/01PVC-FS-AL	1x
3.6		A-DIN 7505A 5x35	20x

**4**

N.	IMAGE	ART.	pcs
4.1		H8/31V-80	2x
4.2		A-DIN 912-A2 M8x45	4x
4.3		A-DIN 934 M8	4x
4.3		A-DIN 125-A2 M8	4x
4.4		H8/39V-6000	2x

**5**

N.	IMAGE	ART.	pcs
5.1		H8/37-60P	1x
5.2		H8/16-46x130	1x
5.3		A-DIN 934 M10	1x
5.4		A-DIN 125-A2 M10	1x
5.5		A-DIN 7380-A2 M10x20	1x

1.1

Material	Finish	Effect	art.	L
ALUMINIUM	matte	RAL 7016	FG/P50x60-1850-R7016	1850

1.2

Material	Finish	Effect	art.	L
ALUMINIUM	matte	RAL 7016	FG/PC20x16-20-R7016	20
			FG/PC20x16-1850-R7016	1850

1.3

Material	Finish	Effect	art.
ALUMINIUM	matte	RAL 7016	FG/CA105x50-R7016

A-DIN 7982C-TX-A2 4.2x22

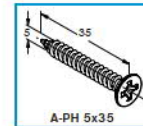
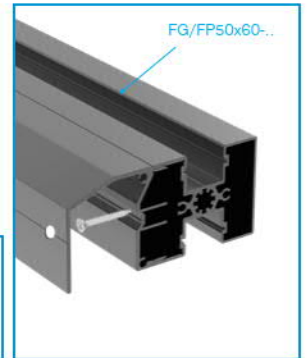
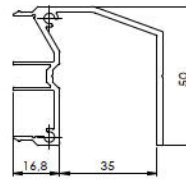
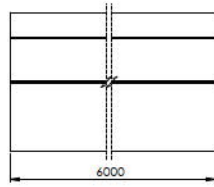
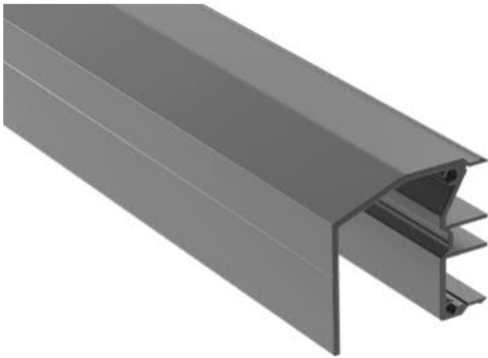
H/01PVC-FS-AL

SLIDING GATES DISSASSEMBLY VIEW - RLG (ROLLING GATE) / CLG (CANTILEVER GATE)

A-DIN 912-A2 / 110x60  
 Ø10.5  
 A-DIN 7505A 5x35  
 A-DIN 7504K 4.2x1.6  
 A-DIN 7982C-TX-A2 4.2x22  
 A-DIN 7504K 4.2x1.6  
 A-DIN 7982C-TX-A2 4.2x22  
 A-DIN 912-A2 / 110x60  
 A-DIN 7505A 5x35

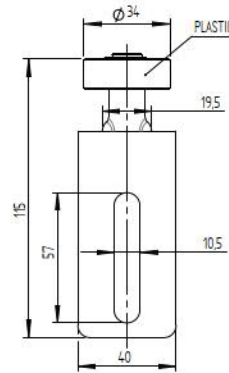
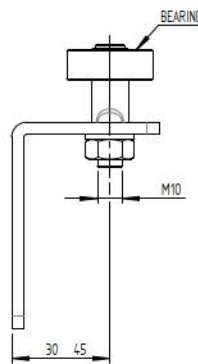
Q5/GLUE-EA9466  
 A/GLUE-638-10g

• Mechanization



3.1

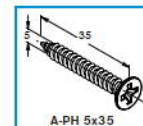
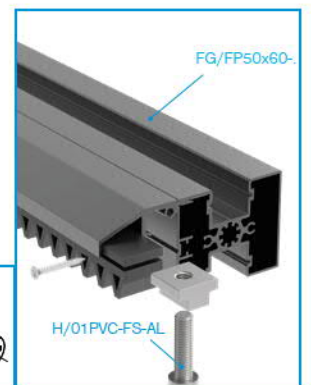
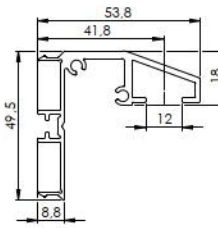
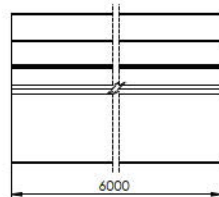
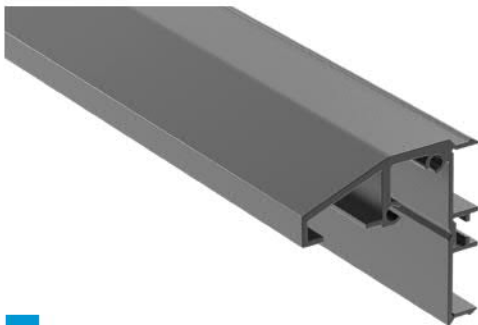
Material	Finish	Effect	art.	L	
ALUMINIUM	matte	RAL 7016	FG/UG54x50-6000-R7016	6000	H8/04-32-W, H8/04L-35



3.2

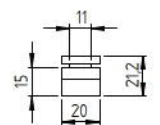
optional 3.2 → SECTION 7.

Quality	Finish	art.	Color	
AISI304	raw	H8/53	-	U/40x40



3.3

Material	Finish	Effect	art.	L	
ALUMINIUM	matte	RAL 7016	FG/BG54x50-6000-R7016	6000	H/01PVC-AL

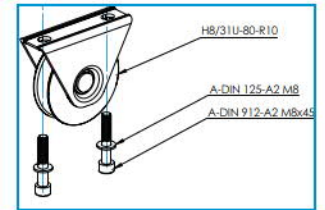
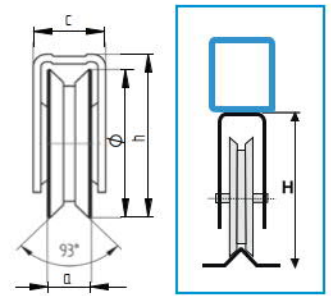
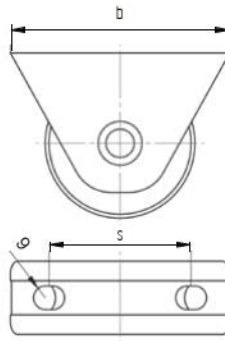


3.4

optional 3.4 → SECTION 7.

Quality	Finish	art.	Gmax (kg)
NYLON	raw	H/01PVC-AL	300



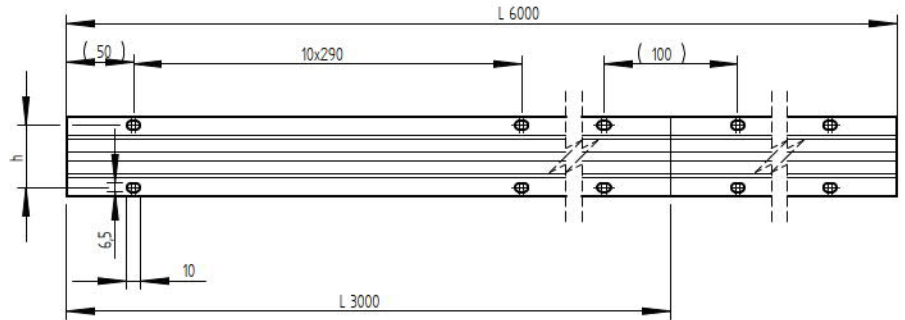


4.1

optional 4.1 → SECTION 7.

Quality	Finish	art.	Color	Ø	H	h	R	a	b	c	s	Gmax/2pcs (kg)	
AISI304	raw	H8/31V-80	-	78	95	85	-	20	100	35	70	300	✓

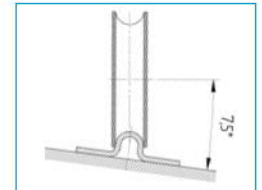
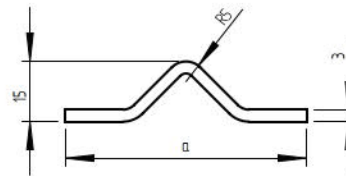
6

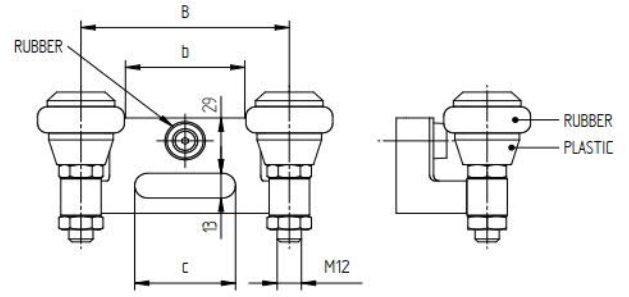


4.4

optional 4.4 → SECTION 7.

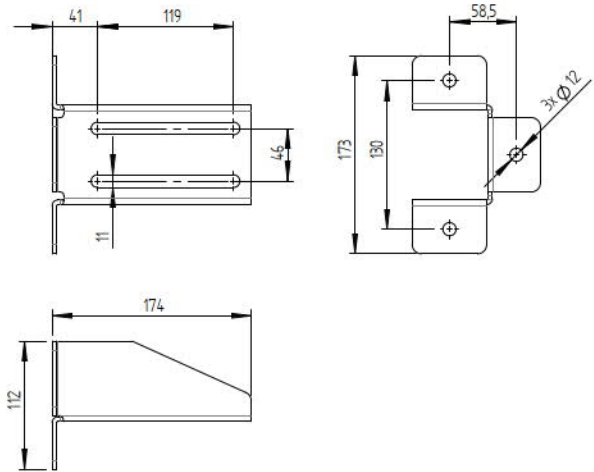
Quality	Finish	art.	a	h	R	L	
AISI304	raw	H8/39V-6000	60	46,5	5	6000	✓





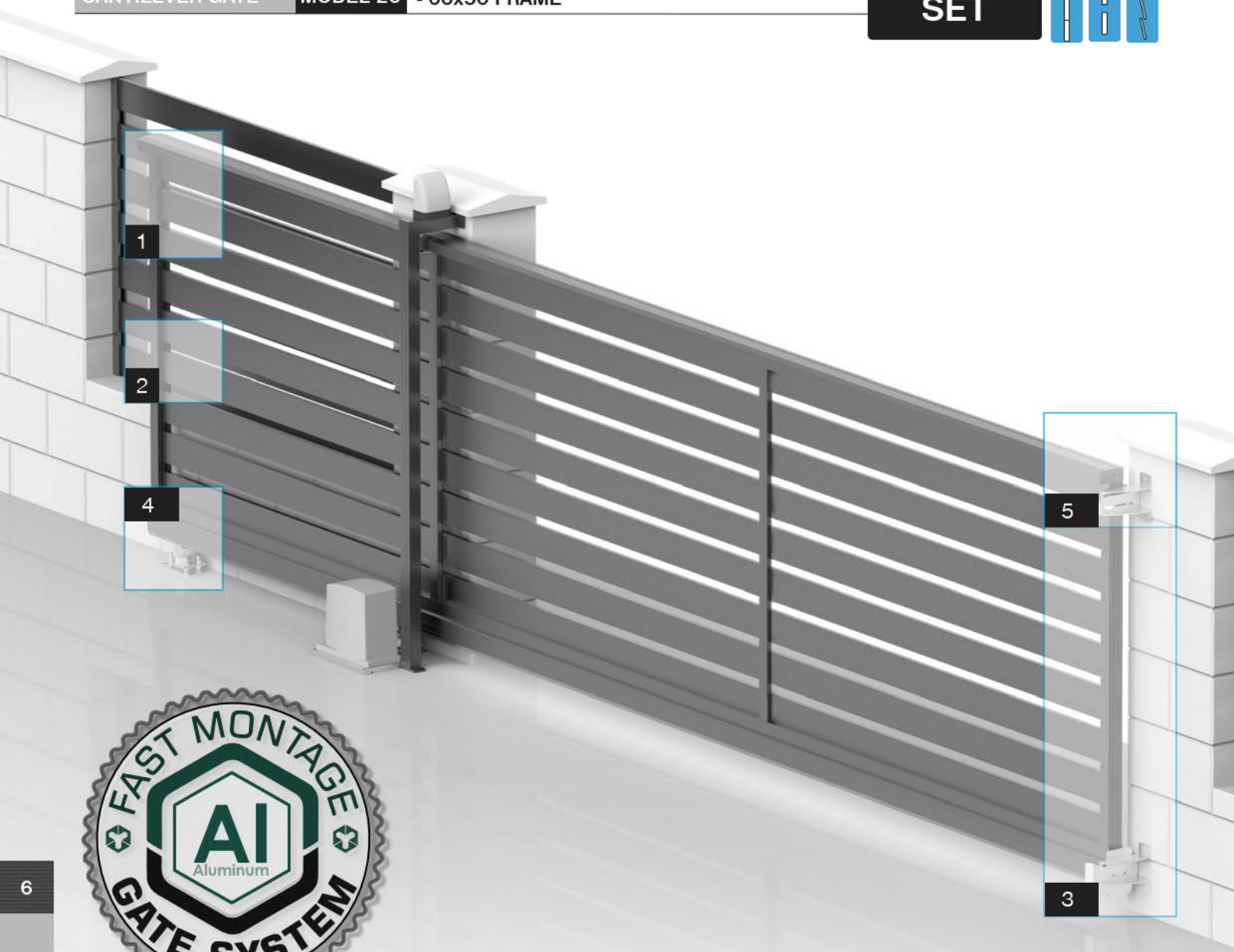
5.1 optional 5.1 → SECTION 7.

Quality	Finish	art.	Color	b	c	B
AISI304	raw	H8/37-60P	-	60	50	103



5.2 optional 5.2 → SECTION 7.

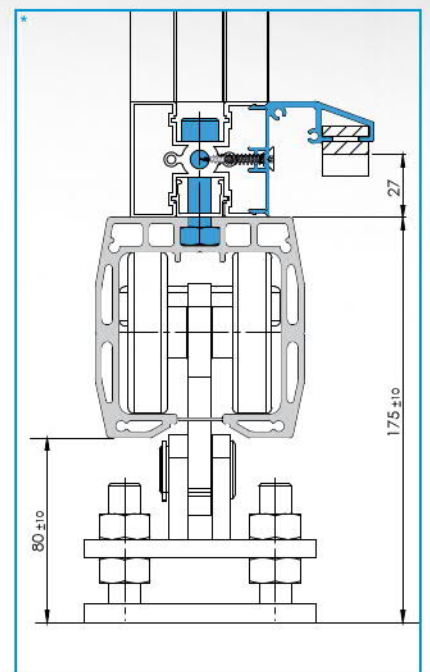
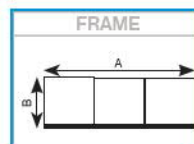
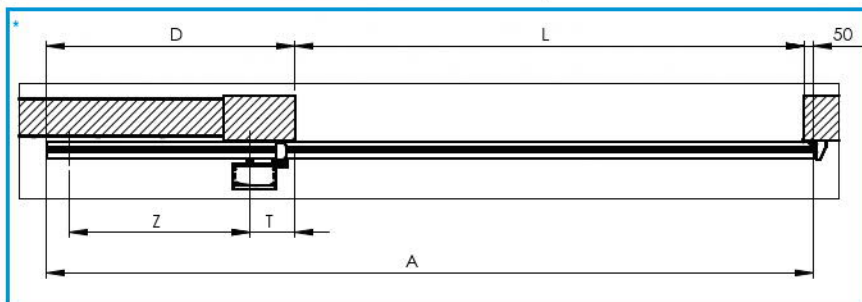
Quality	Finish	art.	Color
AISI304	raw	H8/16-46x130	-



6 GATES



ONLINE GATE DIMENSIONING



Material	Finish	Effect	art.	A	B	L
ALUMINIUM	natural	RAL 7016	FG/S-CLG-R7016-SET-ECO	6000	2125	4500

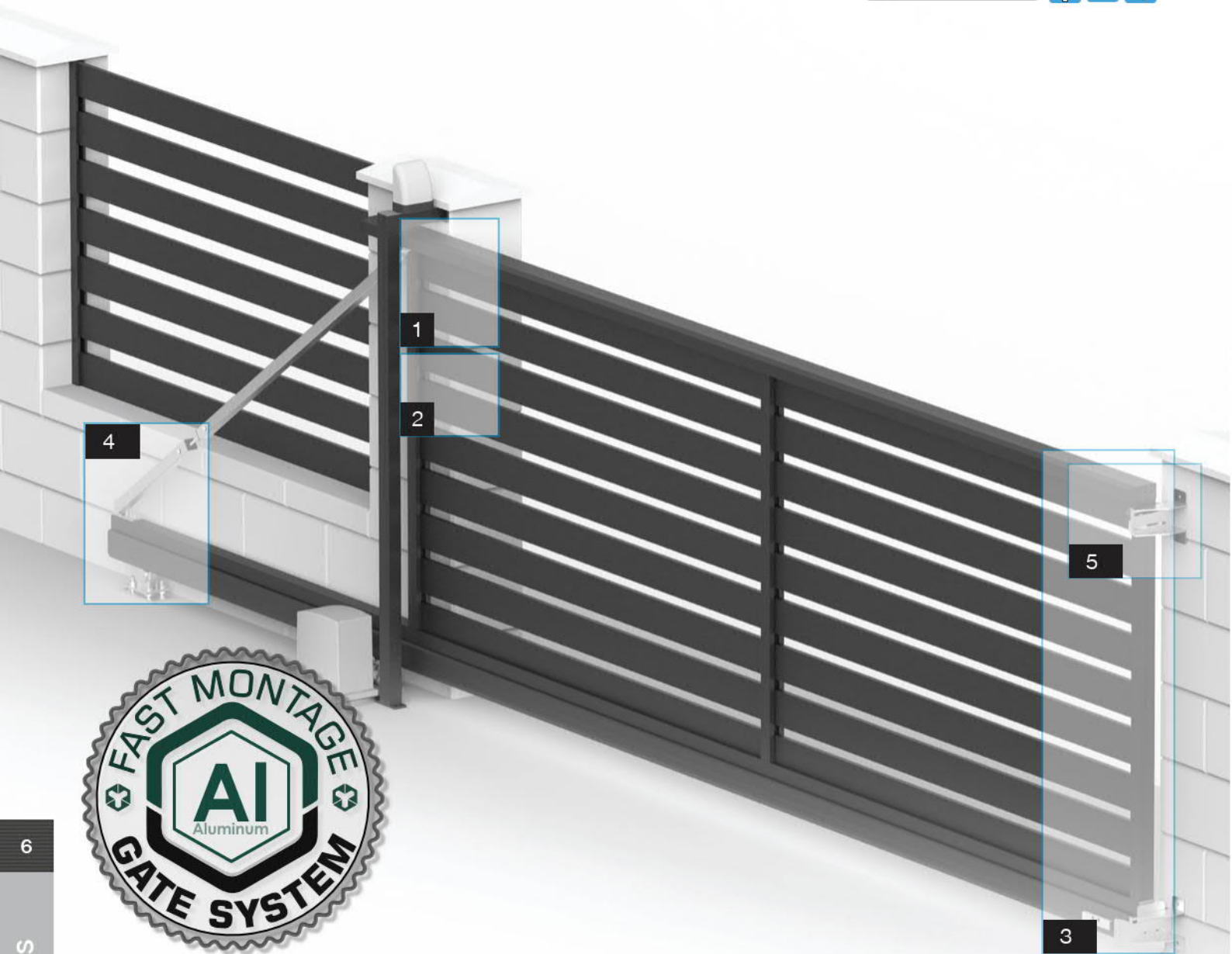
N.	IMAGE	ART.	pcs
1.1		FG/FP50x60-6000-R7016	2x
		FG/P50x60-1850-R7016	2x
1.2		FG/PC20x16-6000-R7016	1x
		FG/PC20x16-1850-R7016	2x
1.3		FG/CA105x50-R7016	4x
1.4		A-DIN 912-A2 M10x60	8x
1.5		A-DIN 7982C-TX-A2 4,2x22	8x

N.	IMAGE	ART.	pcs
2.1		FG/S20x100x1,1-6000-R7016	13
		FG/S20x120x1,2-6000-R7016	2x
2.2		FG/PC20x16-20-R7016	28x
2.3		A-DIN 7504K-A2 4,2x16	200x
2.4		FG/AL40U-1850-R7016	2x
2.5		FG/AF41x9-1850-R7016	2x

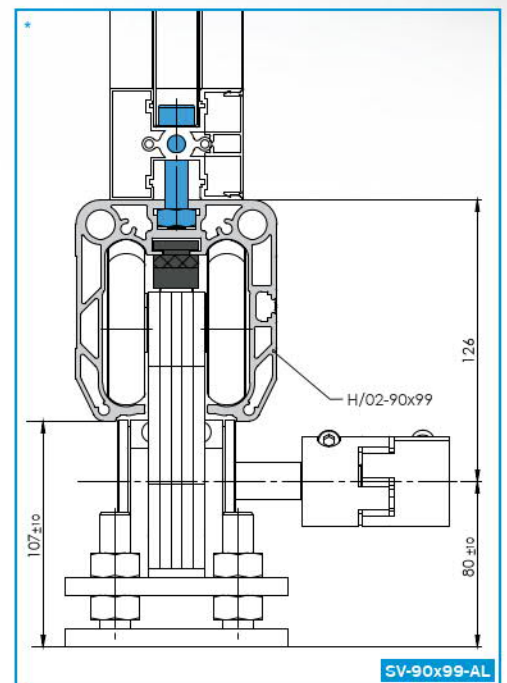
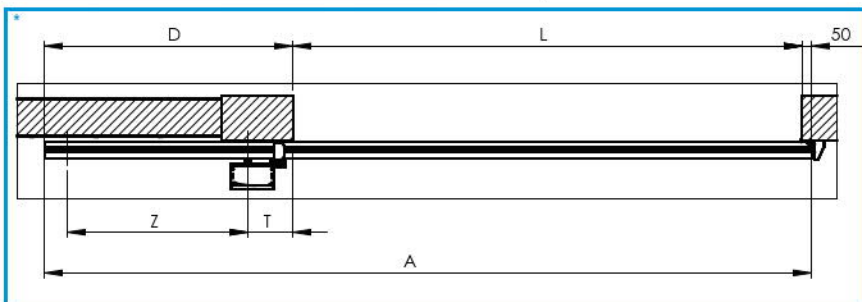
N.	IMAGE	ART.	pcs
3.1		FG/UG54x50-6000-R7016	1x
3.2		HB/53	1x
3.3		FG/BG54x50-6000-R7016	1x
3.4		H/01PVC-AL	12x
3.5		H/01PVC-FS-AL	1x
3.6		A-DIN 7505A 5x35	20x

N.	IMAGE	ART.	pcs
4.1		H/02-90x95-AL-6000-R7016	1x
4.2		SV-90x95-AL-ECO	1x
4.3		A-DIN 912-A2 M10x45	10x
		A-DIN 934 M10	

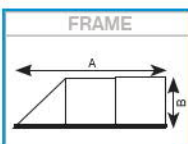
N.	IMAGE	ART.	pcs
5.1		HB/37-60P	1x
5.2		HB/16-46x130	1x
5.3		A-DIN 934 M10	1x
5.4		A-DIN 125-A2 M10	1x
5.5		A-DIN 7380-A2 M10x20	1x



6 GATES



Material	Finish	Effect	art.	A	B	L
ALUMINIUM	natural	RAL7016	FG/S-CLG-R7016-SET-PRO	6000	2125	4100
				max		





**1**

N.	IMAGE	ART.	pcs
1.1		FG/FP50x60-6000-R7016	1x
		FG/P50x60-1850-R7016	3x
		FG/P50x60-6000-R7016	1x
1.2		FG/PC20x16-6000-R7016	1x
		FG/PC20x16-1850-R7016	2x
1.3		FG/CA105x50-R7016	2x
1.4		FG/CP50x60-R7016	2x
1.5		A-DIN 912-A2 M10x60	8x
1.6		A-DIN 7982C-TX-A2 4,2x22	8x

**2**

N.	IMAGE	ART.	pcs
2.1		FG/S20x100x1,1-2000-R7016	26x
		FG/S20x120x1,2-2000-R7016	4
2.2		FG/PC20x16-20-R7016	56x
2.3		A-DIN 7504K-A2 4,2x16	200x

**3**

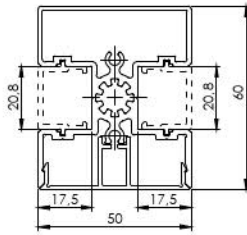
N.	IMAGE	ART.	pcs
3.1		FG/UG54x50-6000-R7016	1x
3.2		H8/53	1x
3.3		-	
3.4		H/01PVC-AL	12x
3.5		H/01PVC-FS-AL	1x
3.6		A-DIN 7505A 5x35	20x

**4**

N.	IMAGE	ART.	pcs
4.1		H/02-90x99-AL-6000-R7016	1x
4.2		SV-90x99-AL-ECO	1x
4.3		A-DIN 912-A2 M10x45	10x
		A-DIN 934 M10	
4.4		H8/65-40x40-2700	1x
		A-DIN 1587-A2 M8	4x
4.5		A-DIN 125-A2 M8	4x
		A-DIN 912-A2 M8x45	4x

**5**

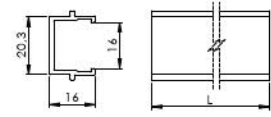
N.	IMAGE	ART.	pcs
5.1		H8/37-60P	1x
5.2		H8/16-46x130	1x
5.3		A-DIN 934 M10	1x
5.4		A-DIN 125-A2 M10	1x
5.5		A-DIN 7380-A2 M10x20	1x



FG/P50x60...

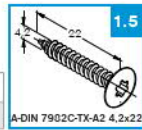
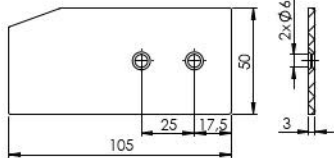
1.1

Material	Finish	Effect	art.	L
ALUMINIUM	matte	RAL 7016	FG/P50x60-1850-R7016	1850



1.2

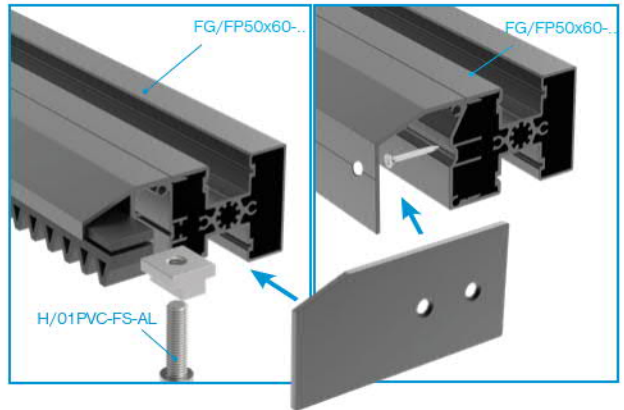
Material	Finish	Effect	art.	L
ALUMINIUM	matte	RAL 7016	FG/PC20x16-20-R7016	20
			FG/PC20x16-1850-R7016	1850



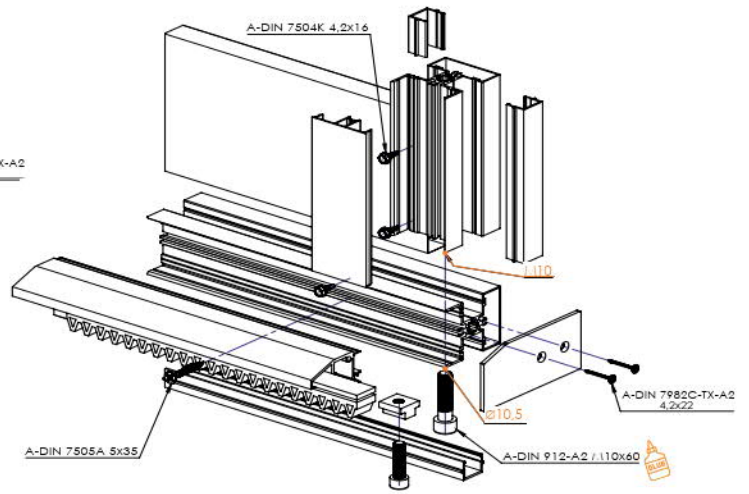
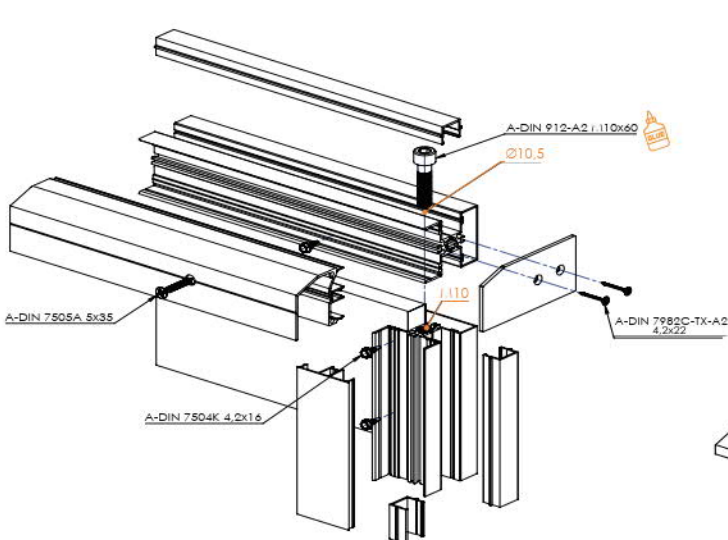
1.3

Material	Finish	Effect	art.
ALUMINIUM	matte	RAL 7016	FG/CA105x50-R7016

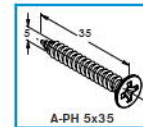
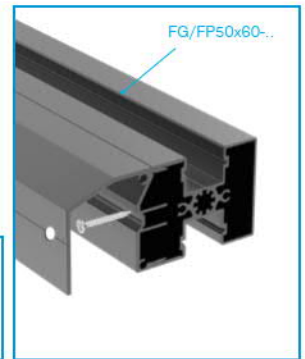
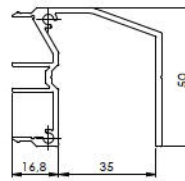
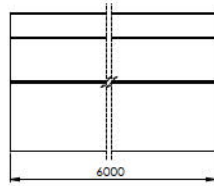
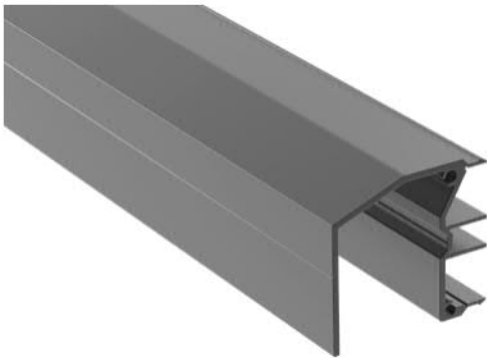
A-DIN 7902C-TX-A2 4,2x22



SLIDING GATES DISSASSEMBLY VIEW - RLG (ROLLING GATE) / CLG (CANTILEVER GATE)



• Mechanization



3.1

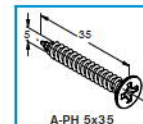
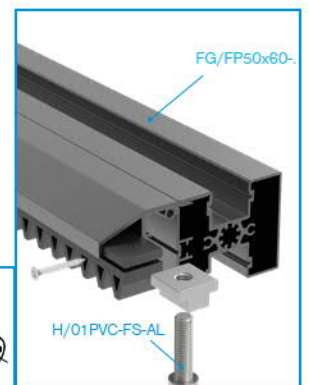
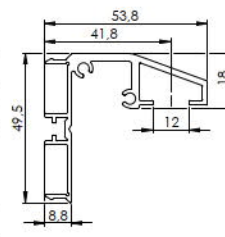
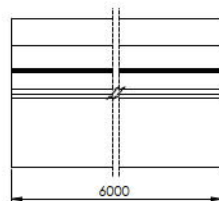
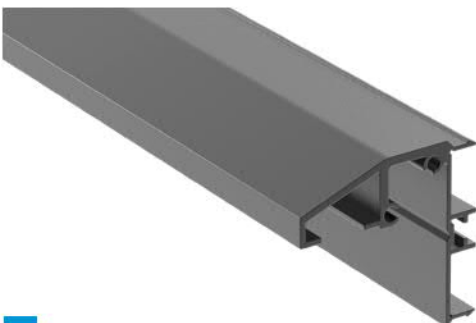
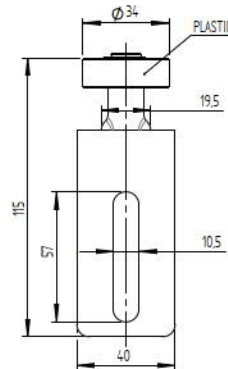
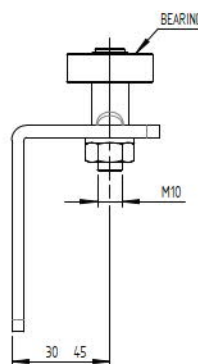
Material	Finish	Effect	art.	L	
ALUMINIUM	matte	RAL 7016	FG/UG54x50-6000-R7016	6000	H8/04-32-W, H8/04L-35



optional 3.2 → SECTION 7.

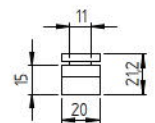
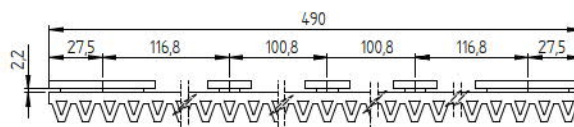
3.2

Quality	Finish	art.	Color	
AISI304	raw	H8/53	-	U/40x40



3.3

Material	Finish	Effect	art.	L	
ALUMINIUM	matte	RAL 7016	FG/BG54x50-6000-R7016	6000	H/01PVC-AL

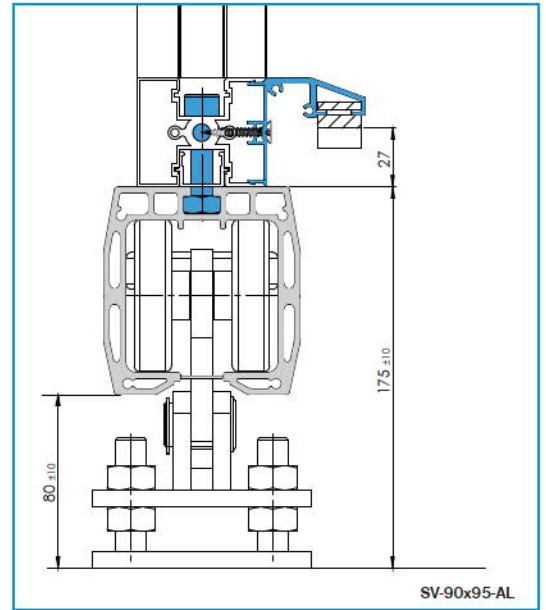
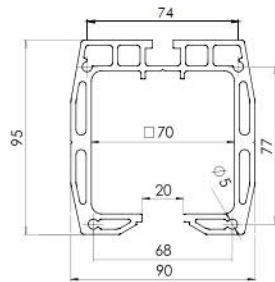


3.4

optional 3.4 → SECTION 7.

Quality	Finish	art.	Gmax (kg)
NYLON	raw	H/01PVC-AL	300



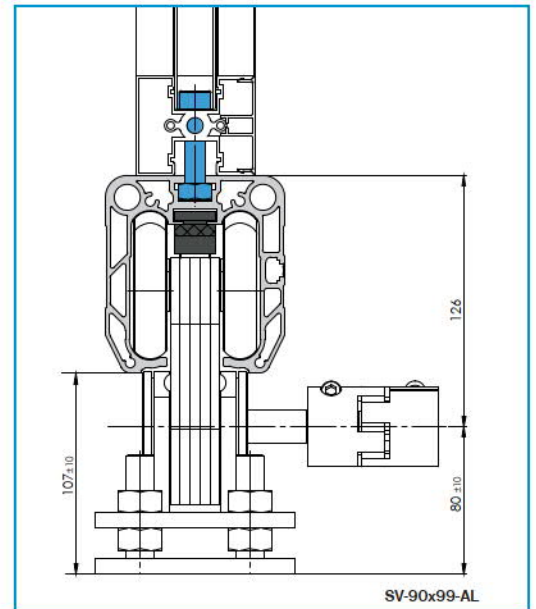
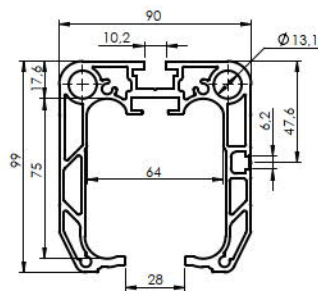


4.1 optional 4.1 → SECTION 7.

Quality	Finish	Effect	art.	L
ALUMINIUM	matte	RAL 7016	H/02-90x95-AL-6000-R7016	6000

4.2 optional 4.2 → SECTION 7.

<b>MODEL AI</b> 90x95 L4m/G <sub>e</sub> 200kg 				
	H/34-4-90x95-NYLON	H/14N-90x95-NYLON	H/15P-100	H/40-90x95P
SV-90x95-AL-ECO	2x	1x	1x	2x

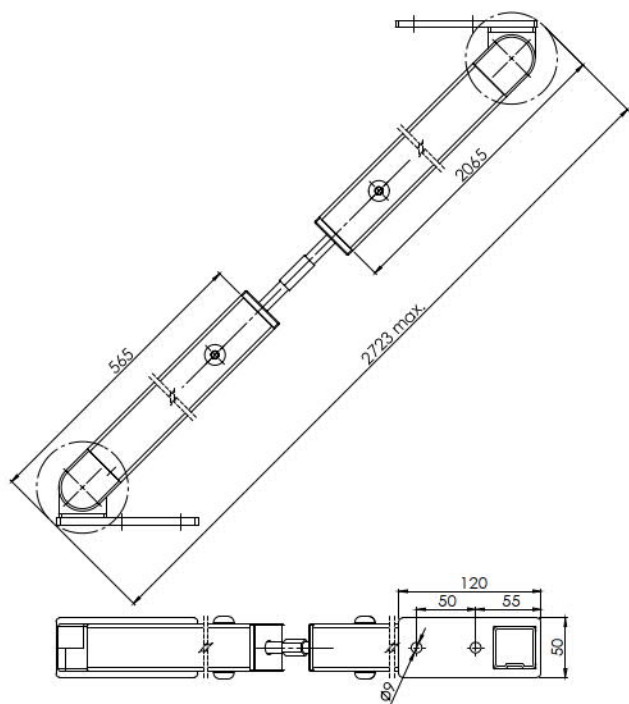


4.1 optional 4.1 → SECTION 7.

Quality	Finish	Effect	art.	L
ALUMINIUM	matte	RAL 7016	H/02-90x99-AL-6000-R7016	6000

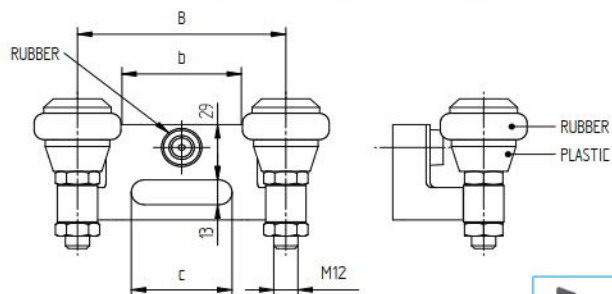
4.2 optional 4.2 → SECTION 7.

<b>MODEL AI</b> 90x99 L4m/G <sub>e</sub> 200kg 					
	H/34B-4-90x99-NYLON	H/34B-4G-90x99-NYLON	H8/14N-90x95	H8/15P-100	H8/40-90x99P
SV-90x99-AL-ECO	1x	1x	1x	1x	2x



4.4

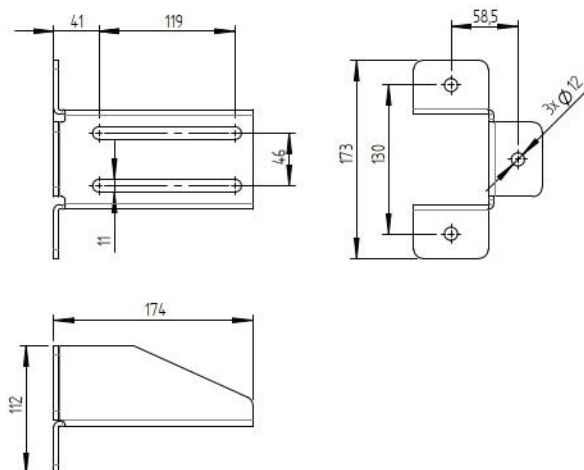
Quality	Finish	art.
AISI304	natural	H8/65-40x40-2700



5.1

optional 5.1 → SECTION 7.

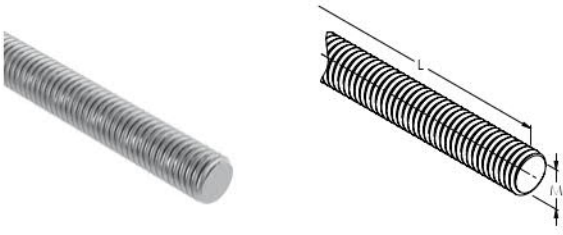
Quality	Finish	art.	Color	b	c	B
AISI304	raw	H8/37-60P	-	60	50	103



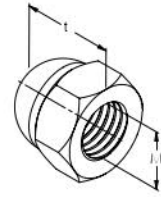
5.2

optional 5.2 → SECTION 7.

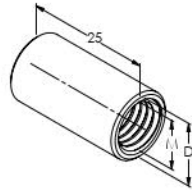
Quality	Finish	art.	Color
AISI304	raw	H8/16-46x130	-



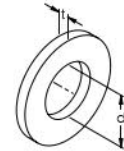
Quality	Finish	art.	M	L	CE
AISI304	natural	A-DIN 975 M10-2000	10	2000	-
AISI316	natural	A4-DIN 975 M10-2000	10	2000	-



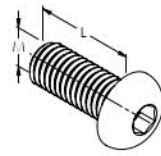
Quality	Finish	art.	M	t
AISI304	natural	A-DIN 1587-A2 M10	10	18
AISI316	natural	A4-DIN 1587 M10	10	18



Quality	Finish	art.	M	D
AISI304	natural	A-DIN 6334V M10x25-A2	10	13



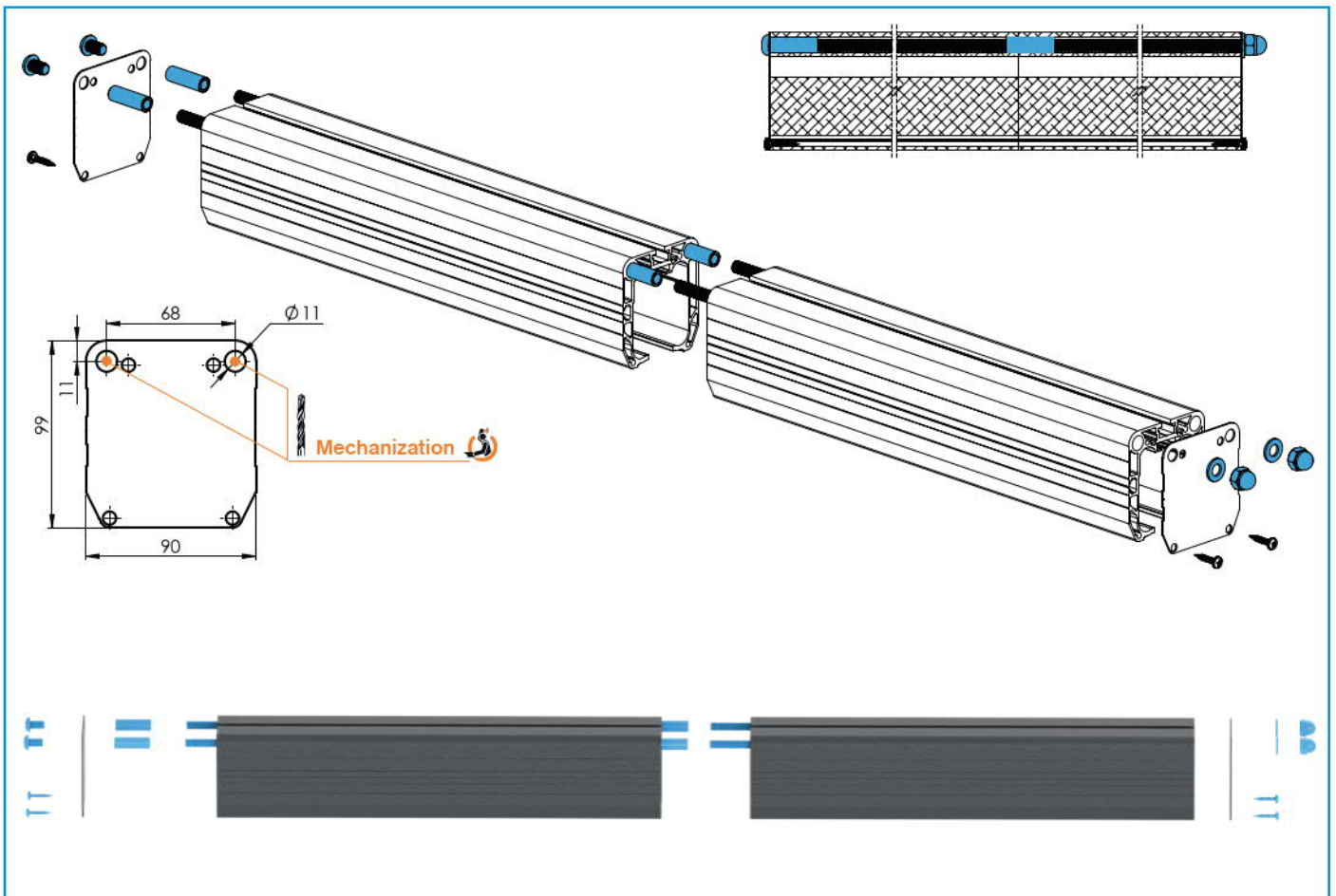
Quality	Finish	art.	D	d	t
AISI304	natural	A-DIN 125-A2 M10	20	10	2

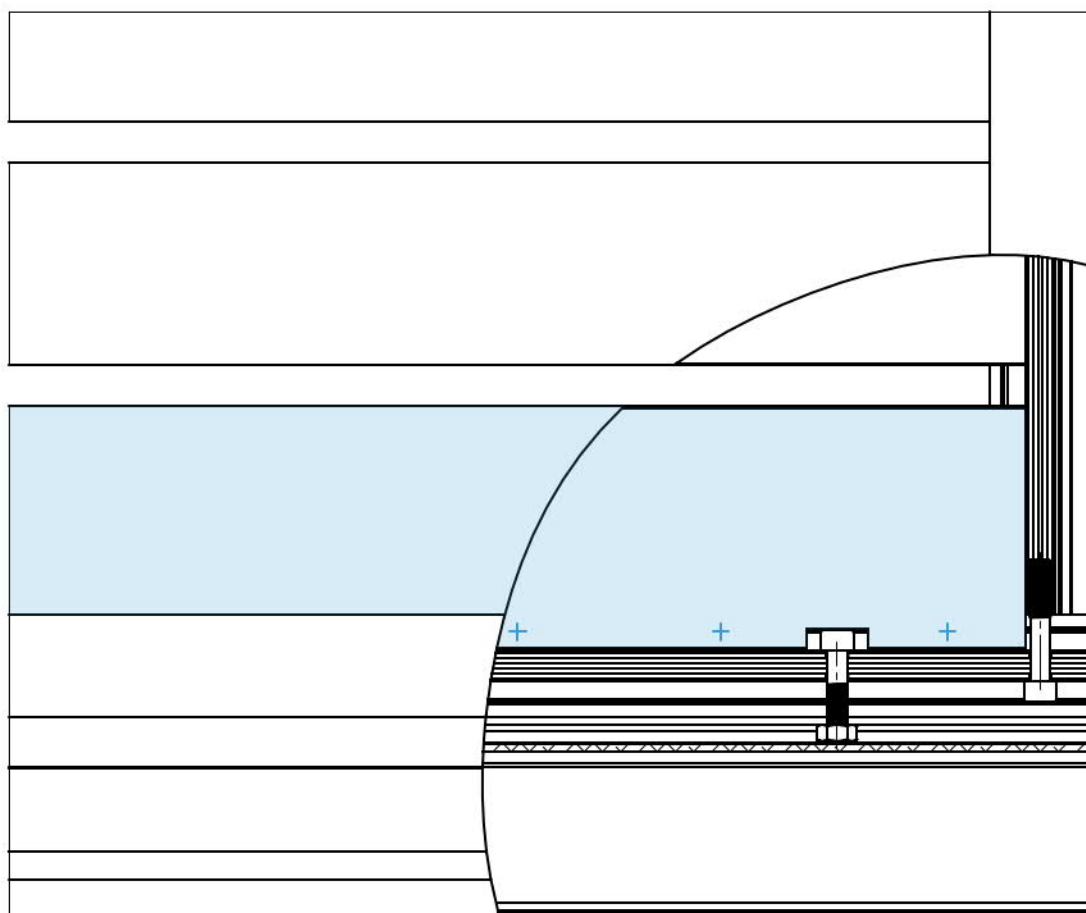
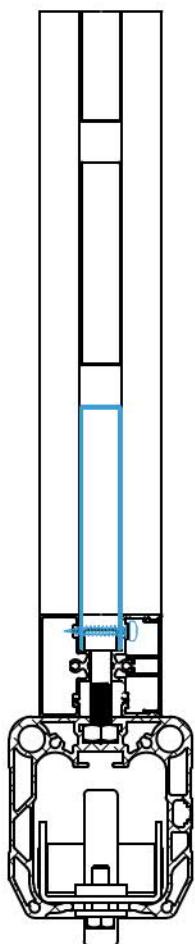
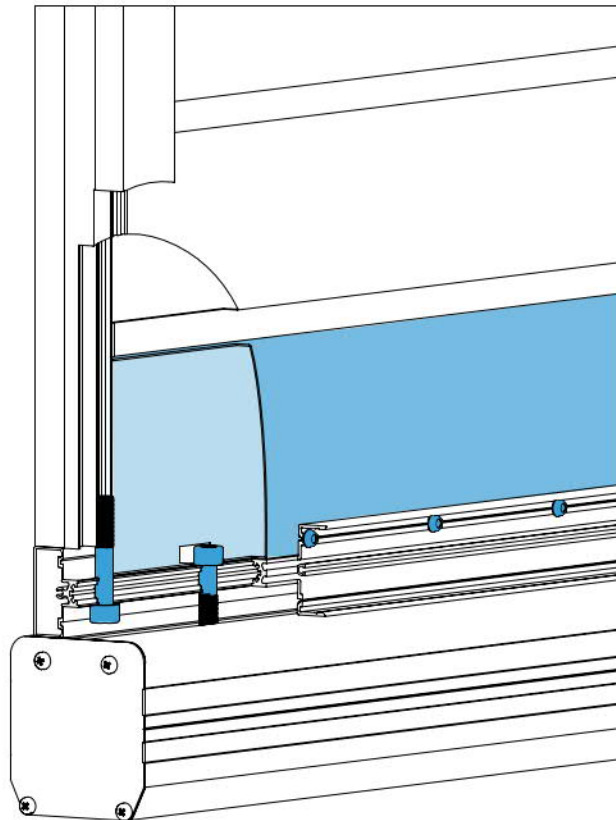
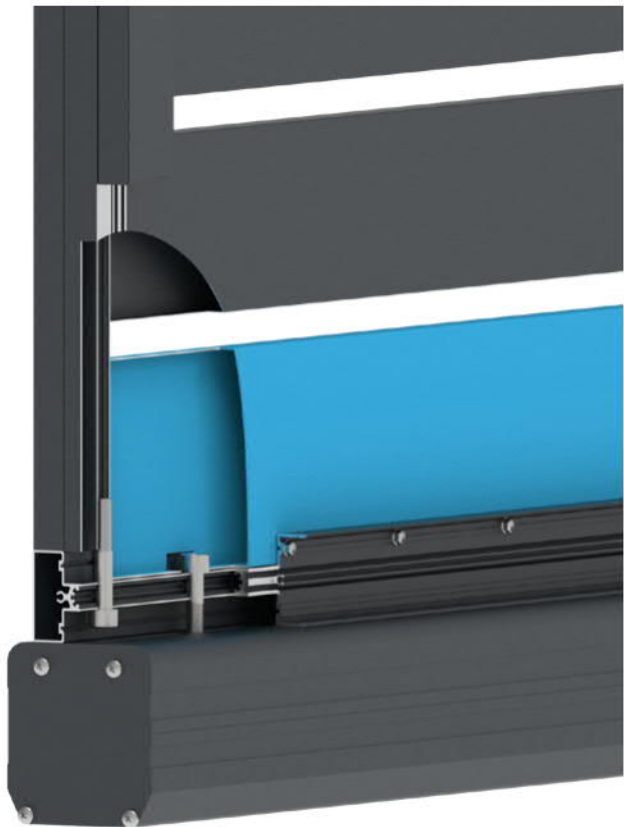


Quality	Finish	art.	M	L
AISI304	natural	A-DIN 7380-A2 M10x20	10	20
AISI316	natural	A4-DIN 7380 M10x20	10	20

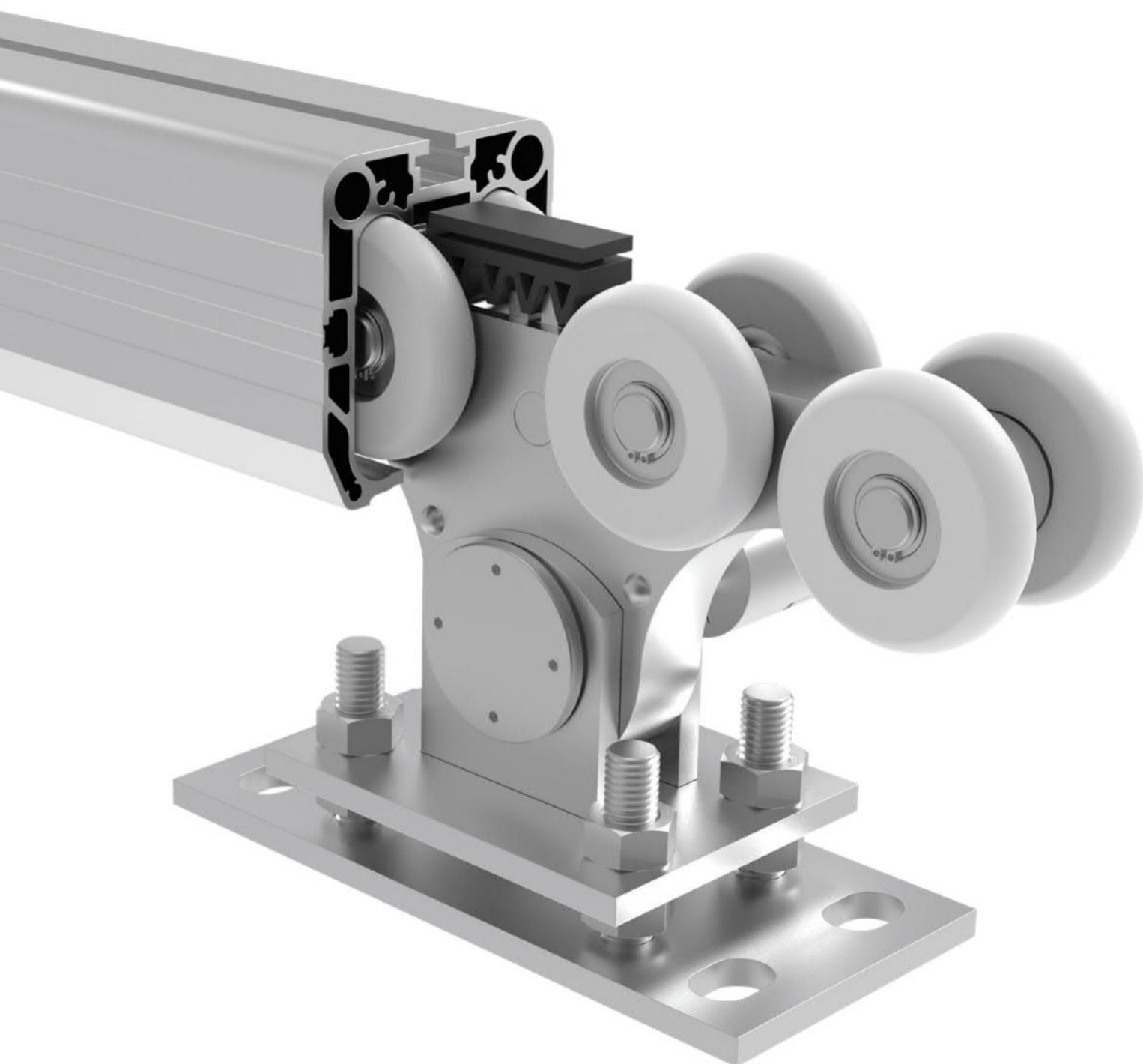
6

GATES





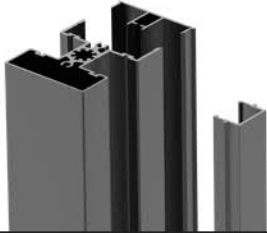
# 7 FENCE & GATE ACCESSORIES







## GATE DRIVES



## FRAME PROFILES



## HINGES, LOCKS, DOOR HANDLES



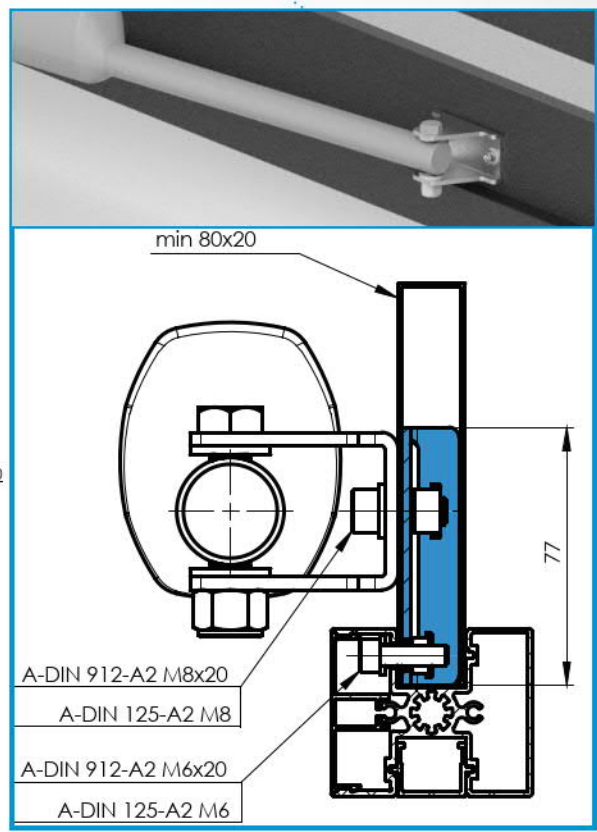
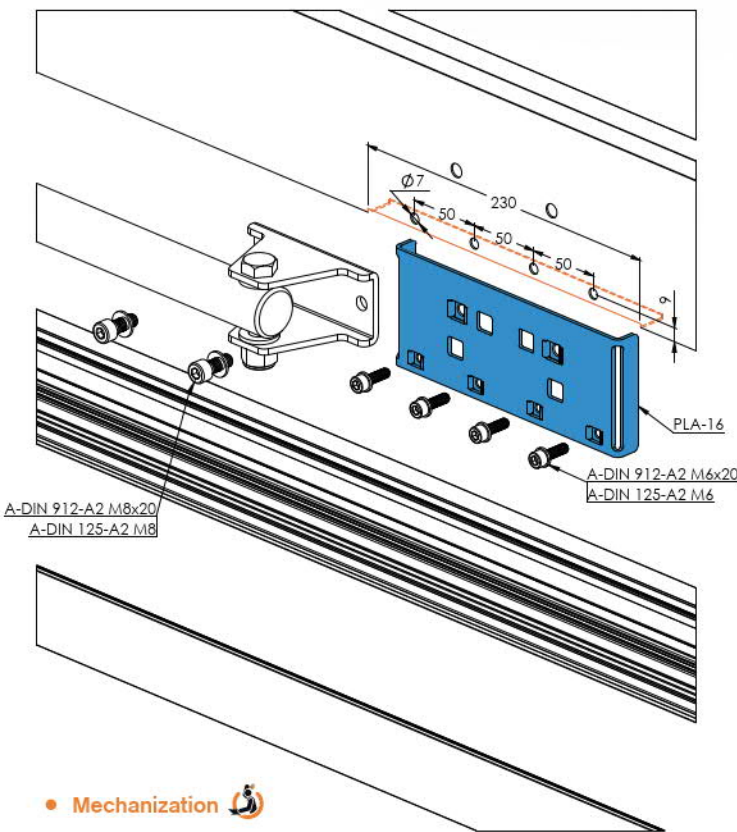
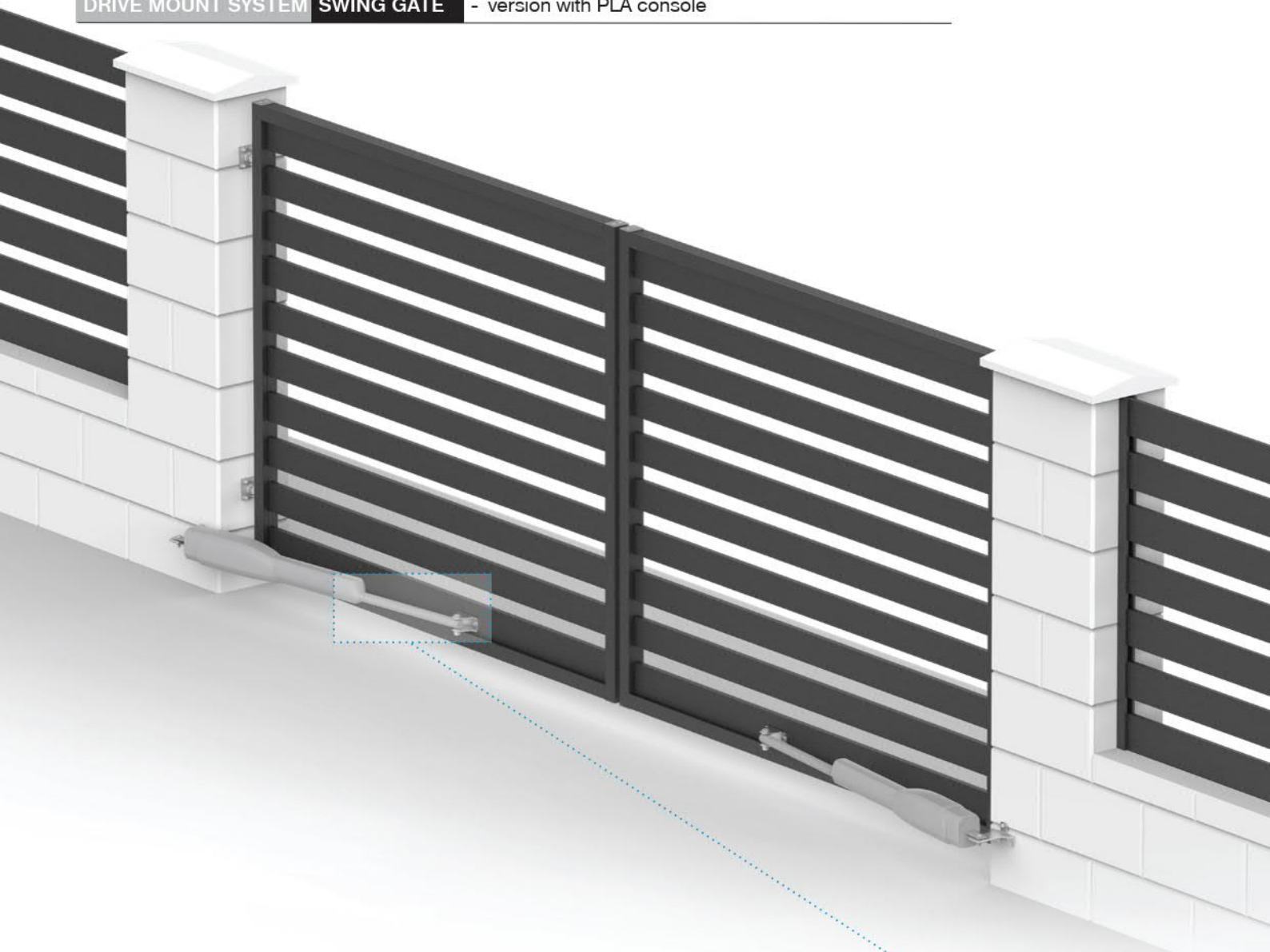
## GATE STOPPERS, BOLTS



## RACKS, WHEELS

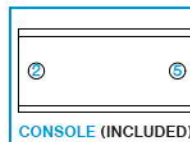


## SUPPORT BRACE CHANNEL LED PROFILES





**ATS**



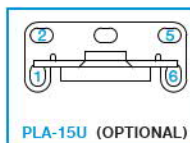
CONSOLE (INCLUDED)



	Napájanie Power supply	Napájanie motora Motor power supply	Výkon Power	Sila Force	Rýchlosť Speed	Opt.prac.cykly Opt.work cycles	Pomalý rozbeh Slow start	Pomalý dojazd Slow stop
ATS-3-DGS-ZKIT	230V	230V	250W	3000N	15s/90° 20s/90°	5/h	-	-



**TOONA**



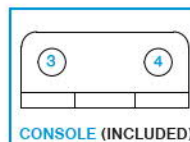
PLA-15U (OPTIONAL)



	Napájanie Power supply	Napájanie motora Motor power supply	Výkon Power	Sila Force	Rýchlosť Speed	Opt.prac.cykly Opt.work cycles	Pomalý rozbeh Slow start	Pomalý dojazd Slow stop
TOONA4024-BDKIT	230V	24V	120W	1800N	0,016m/s	10/h	✓	✓



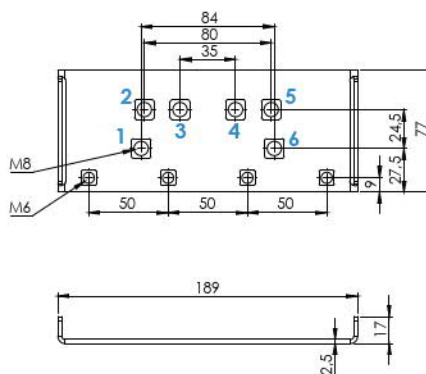
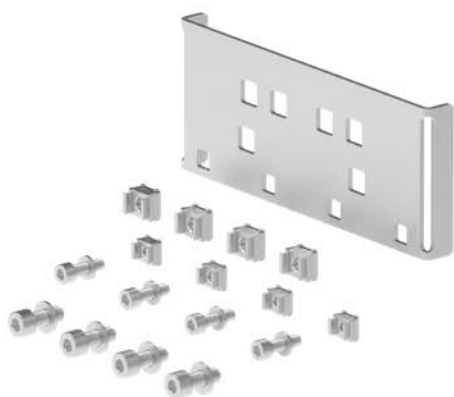
**TURN**



CONSOLE (INCLUDED)

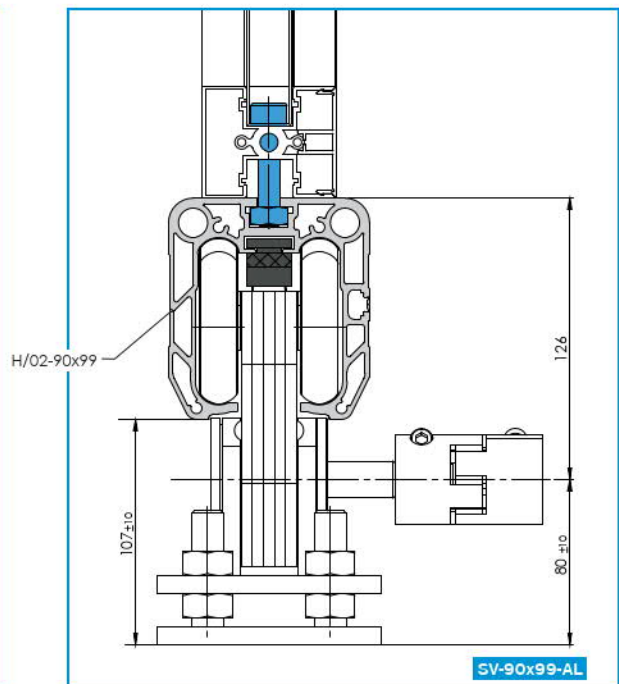
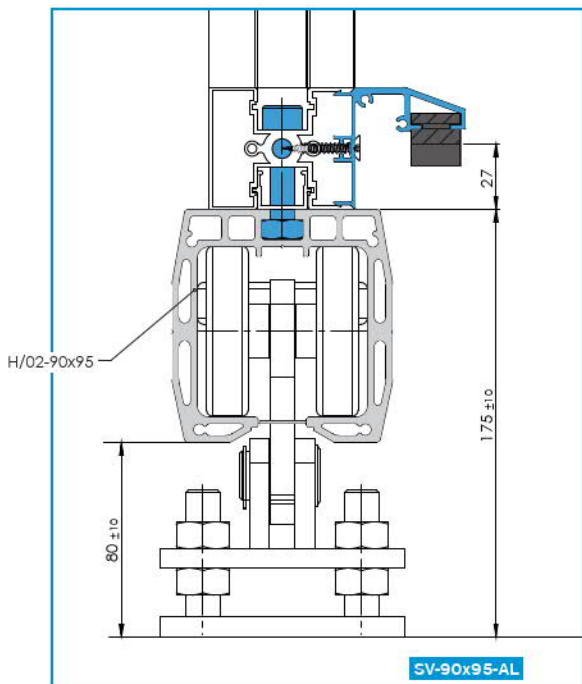
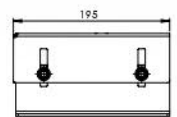
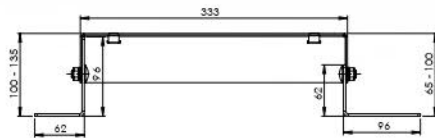
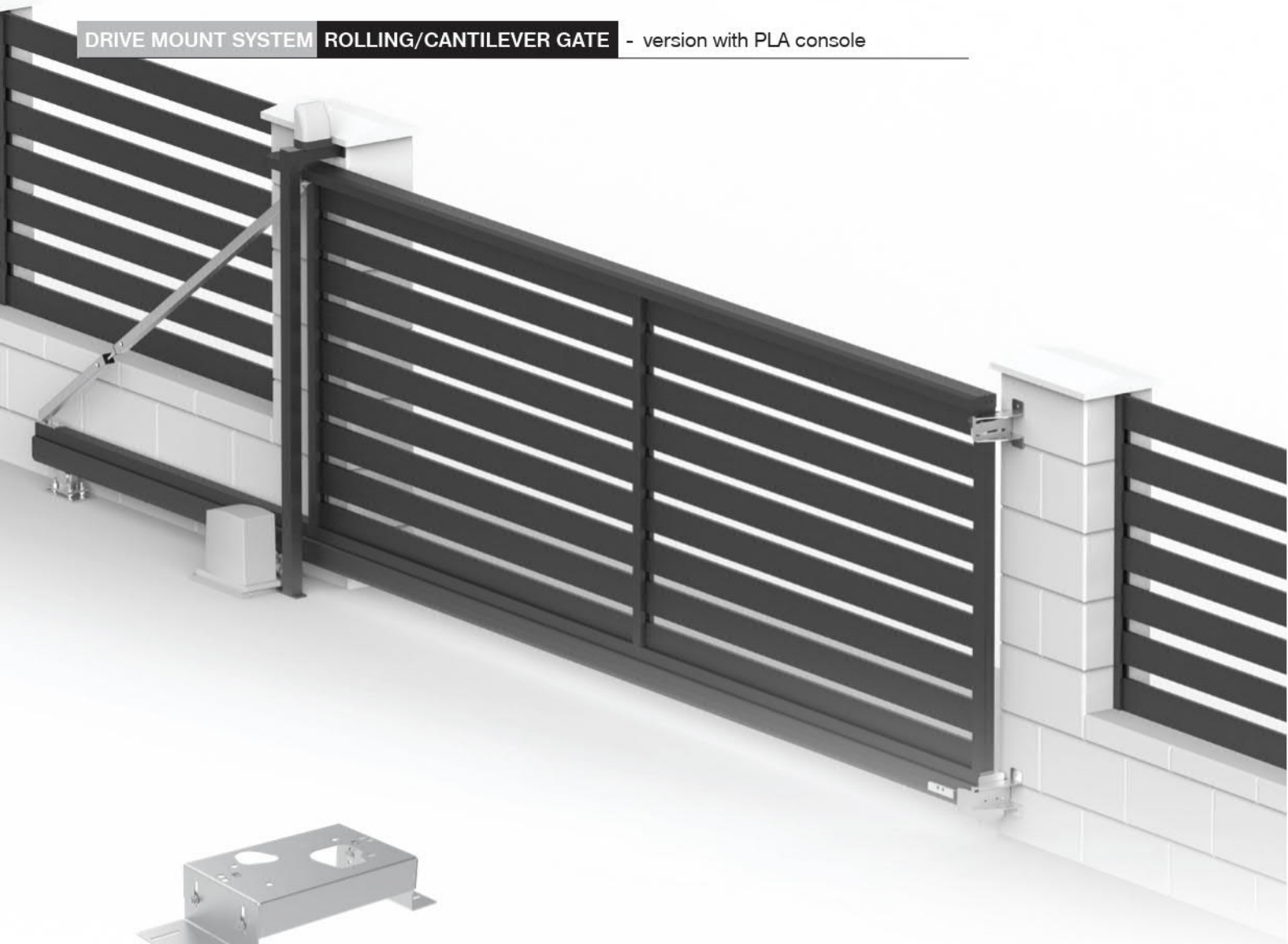


	Napájanie Power supply	Napájanie motora Motor power supply	Výkon Power	Sila Force	Rýchlosť Speed	Opt.prac.cykly Opt.work cycles	Pomalý rozbeh Slow start	Pomalý dojazd Slow stop
TURN2020-SMART-ZKIT	230V	24V	48W	2000N	13s	4/h	✓	✓



DRIVE	MOUNTING HOLE
ATS-3-DGS-ZKIT	2,5
TOONA4024-BDKIT	1,2,5,6
TURN2020-SMART-ZKIT	3,4

Quality	Finish	art.
AISI304	natural	PLA-16






# BXV



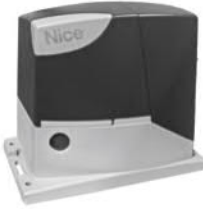


	Napájanie Power supply	Napájanie motora Motor power supply	Výkon Power	Sila Force	Rýchlosť Speed	Opt.prac.cykly Opt.work cycles	Modul hrebeňa Gear rack modul	Pomalý rozbeh Slow start	Pomalý dojazd Slow stop
<b>BXV-4-ZKIT</b>	230V	24V	170W	350N	12m/min	12/h	4	✓	✓






# ROBUS




	Napájanie Power supply	Napájanie motora Motor power supply	Výkon Power	Sila Force	Rýchlosť Speed	Opt.prac.cykly Opt.work cycles	Modul hrebeňa Gear rack modul	Pomalý rozbeh Slow start	Pomalý dojazd Slow stop
<b>RB400</b>	230V	24V	330W	400N	0,34m/s	12/h	4	✓	✓

# ROAD

	Napájanie Power supply	Napájanie motora Motor power supply	Výkon Power	Sila Force	Rýchlosť Speed	Opt.prac.cykly Opt.work cycles	Modul hrebeňa Gear rack modul	Pomalý rozbeh Slow start	Pomalý dojazd Slow stop
<b>ROAD400-ZKIT</b>	230V	24V	210W	400N	0,25m/s	12/h	4	✓	✓




# RBS




	Napájanie Power supply	Napájanie motora Motor power supply	Výkon Power	Sila Force	Rýchlosť Speed	Opt.prac.cykly Opt.work cycles	Modul hrebeňa Gear rack modul	Pomalý rozbeh Slow start	Pomalý dojazd Slow stop
<b>RBS400BDKCE</b>	230V	24V	250W	310N	0,34m/s	12/h	4	✓	✓




# SLH






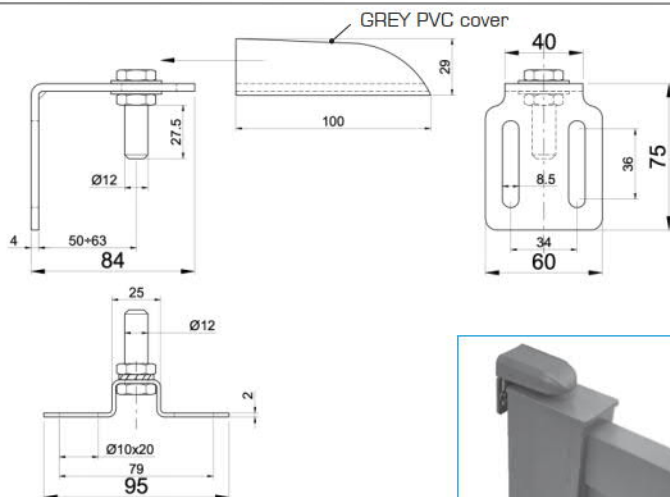
	Napájanie Power supply	Napájanie motora Motor power supply	Výkon Power	Sila Force	Rýchlosť Speed	Opt.prac.cykly Opt.work cycles	Modul hrebeňa Gear rack modul	Pomalý rozbeh Slow start	Pomalý dojazd Slow stop
<b>SLH-400-BDKIT</b>	230V	24V	250W	400N	0,34m/s	12/h	4	✓	✓




# DRIFT

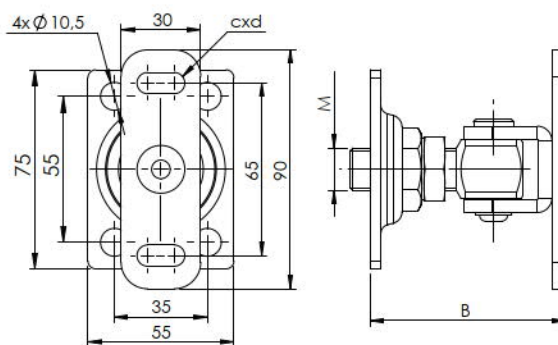
	Napájanie Power supply	Napájanie motora Motor power supply	Výkon Power	Sila Force	Rýchlosť Speed	Opt.prac.cykly Opt.work cycles	Modul hrebeňa Gear rack modul	Pomalý rozbeh Slow start	Pomalý dojazd Slow stop
<b>DRIFT40-SMART-ZKIT</b>	230V	24V	100W	4000N	0,27m/s	4/h	4	✓	✓



optional 3.1

Quality	Finish	Effect	art.	Gmax/2pcs (kg)
Fe	Zn	RAL 9005	D4/83-40x40-GREY	80

MODEL FLEX - SCREW/SCREW

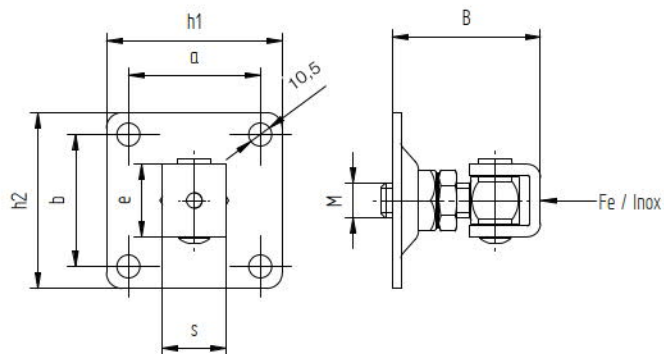


optional 3.1

Quality	Finish	Effect	art.	M	B	cxd	Gmax/2pcs (kg)
AISI304	raw	-	D8/53F-M12-K	12	50-70	6x16	40
			D8/53AF-M16-K	16	70-85	8x18	60



MODEL FLEX - SCREW/WELD



optional 3.1

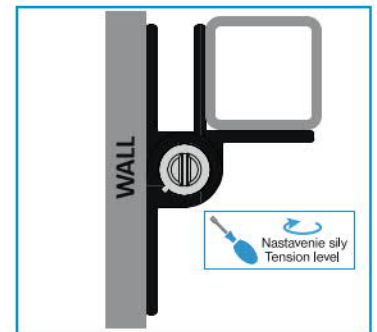
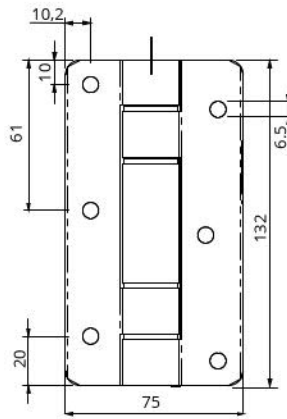
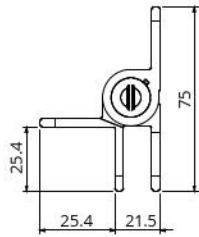
Quality	Finish	Effect	art.	M	B	h1xh2	a	b	e	s	Gmax/2pcs (kg)
AISI304	raw	-	D4/53-M12-K	12	56-63	55x75	35		27	20	40
			D8/53-M16-K	16	64-80	80x80	55	55	36		60
			D8/53-M20-K	20	69x90	100x100	75	75	35	30	



MODEL REINFORCED POLYMER - FOR ALUMINIUM GATES

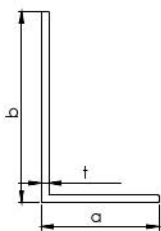


MODEL FIX-SPRING



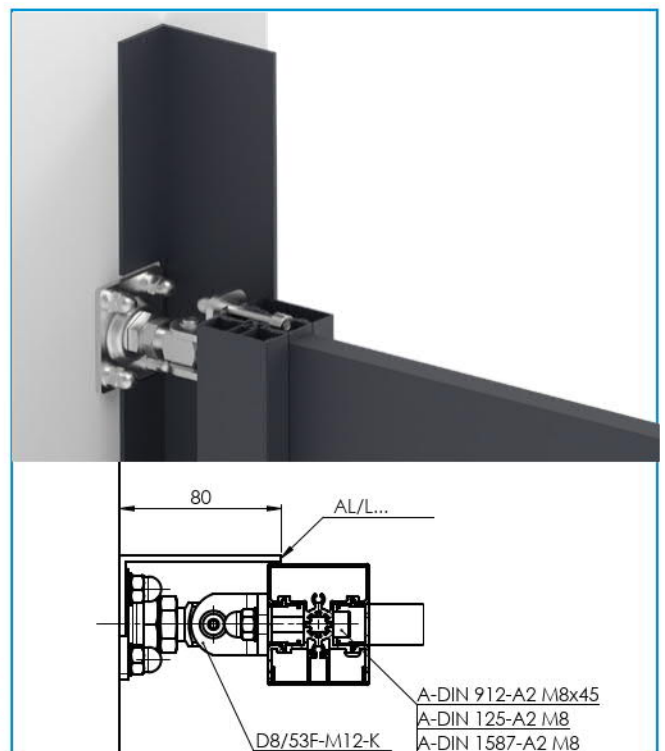
optional 3.1

Quality	Finish	Effect	art.	Gmax/2pcs (kg)
ALUMINIUM	natural	RAL 9005	D4/73AL-W-130-BLACK	20



Material	Finish	Effect	art.	a	b	t	L
ALUMINIUM	matte	RAL 7016	AL/L30x20x2-2000-R7016	20	30		2000
			AL/L40x30x2-2000-R7016	30	40	2	6000
			AL/L40x30x2-6000-R7016	30	40		6000
			AL/L80x50x3,2-2000-R7016	50	80	3,2	2000

new  
new  
new  
new

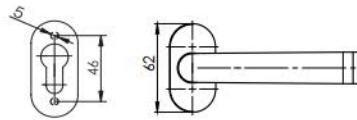
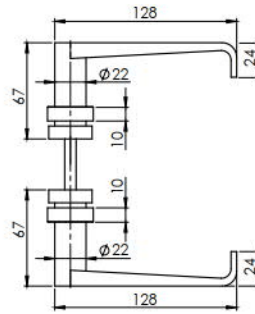
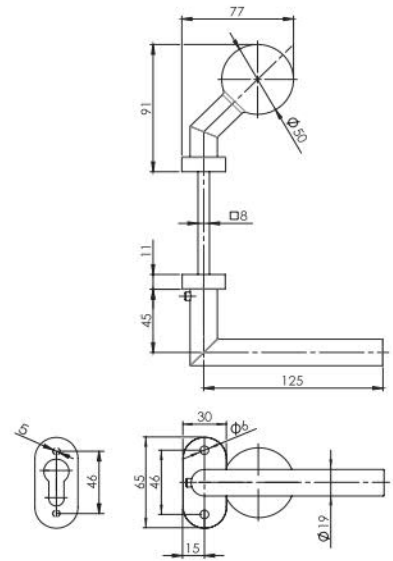




optional 4.1

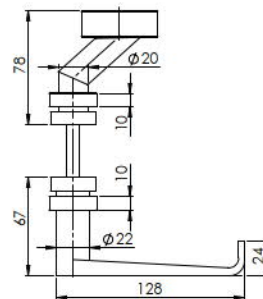
Quality	Finish	Effect	art.	Orientation	
AISI304	satin	-	D8/05G-R-i	right	fixed position
		-	D8/05G-L-i	left	
		PVD black	D8/05G-R-BLACK	right	opens together with handle
		-	D8/05G-L-BLACK	left	
		-	D8/05GR	right	
		-	D8/05GL	left	

new

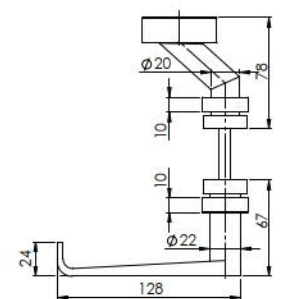


optional 4.1

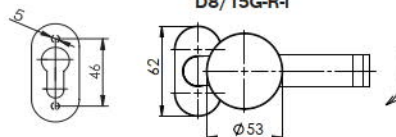
Quality	Finish	art.
AISI304	satin	D8/15-i



D8/15G-R-i



D8/15G-L-i

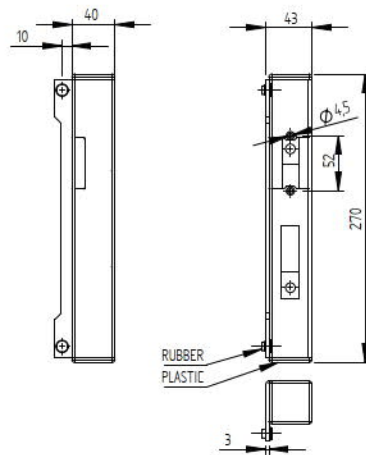


optional 4.1

Quality	Finish	art.	Orientation
AISI304	satin	D8/15G-R-i	right
		D8/15G-L-i	left

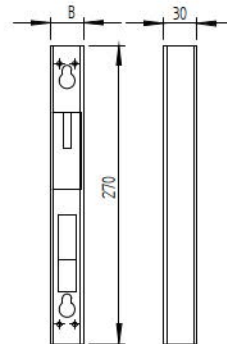
thermal expansion 0,02mm/1m/1°C





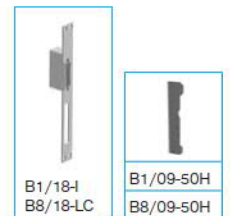
optional 4.2

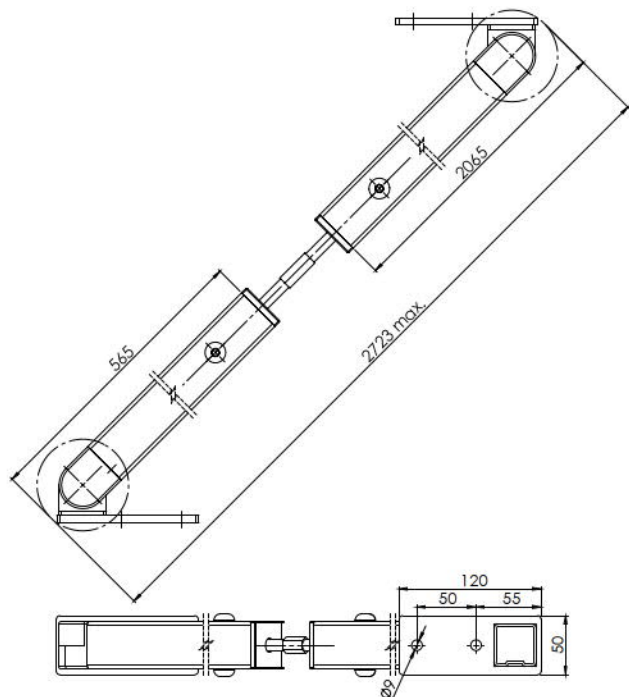
Quality	Finish	art.
AISI304	satın	B8/61-40x40



optional 4.2

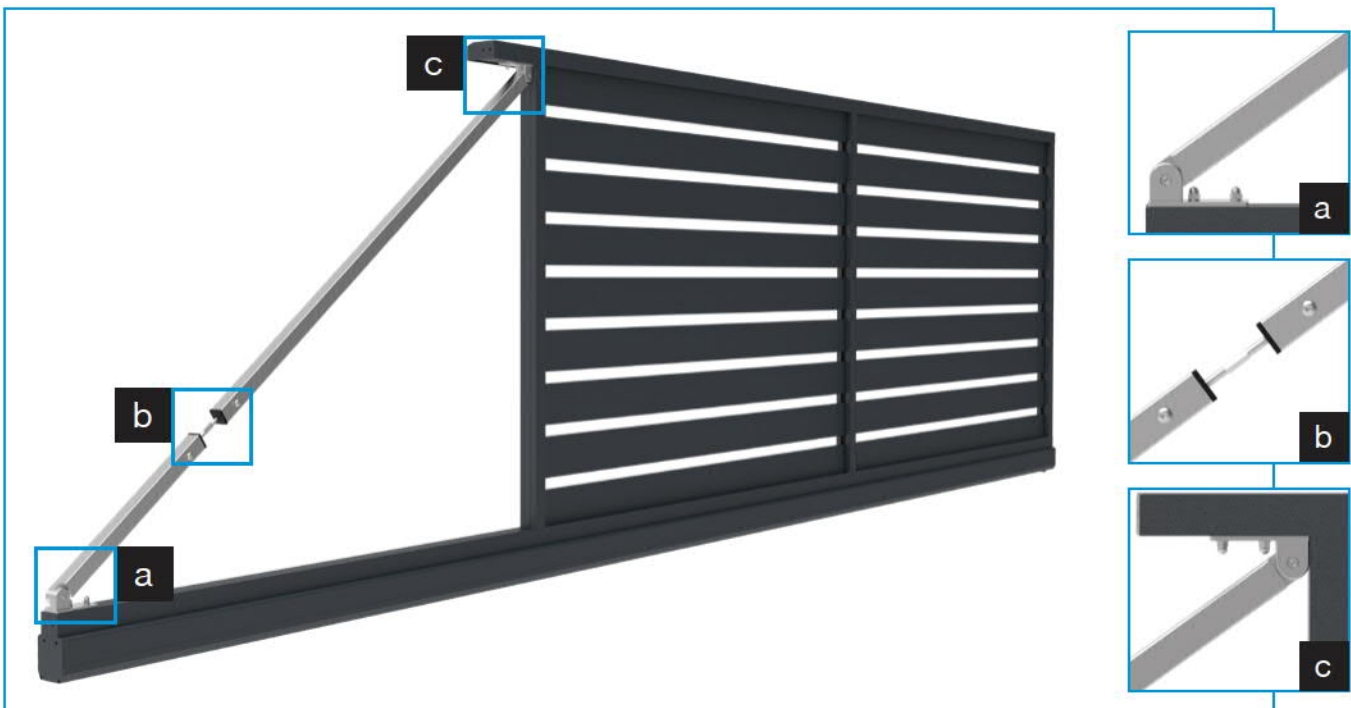
Quality	Finish	art.	B
AISI304	satın	B8/07T-30	30
		B8/07T-40	40





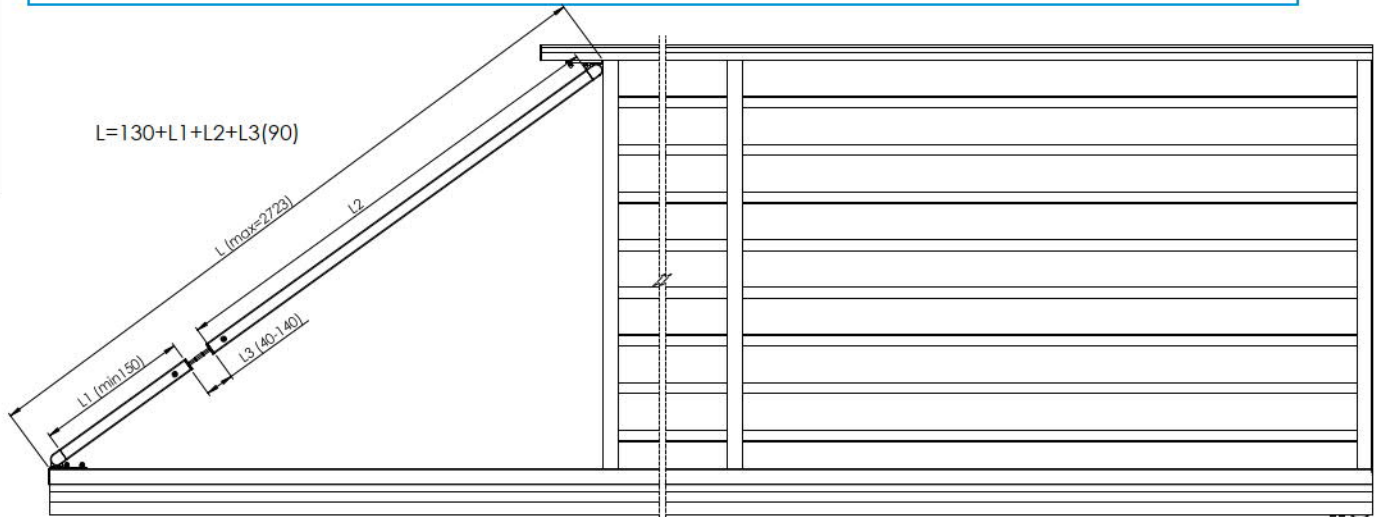
4.4

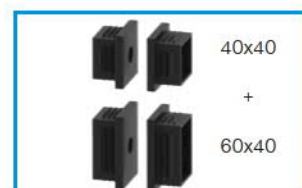
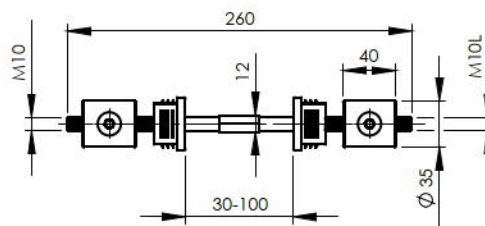
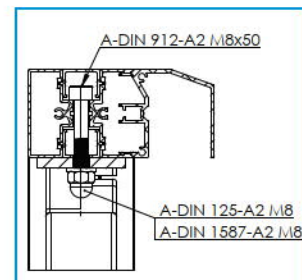
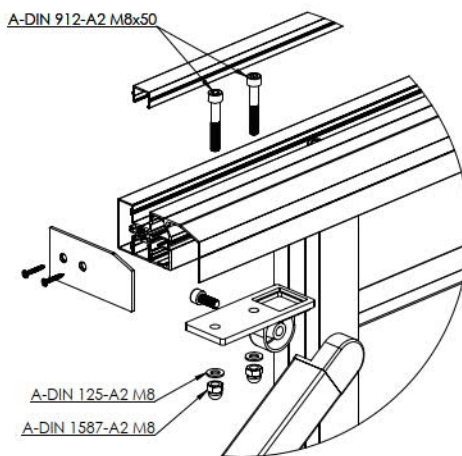
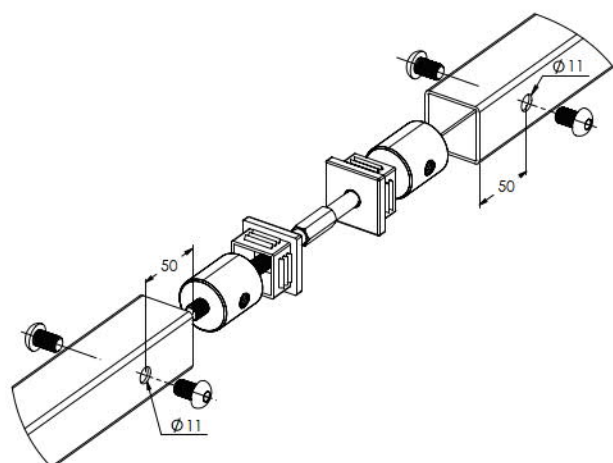
Quality	Finish	art.
AISI304	natural	H8/65-40x40-2700



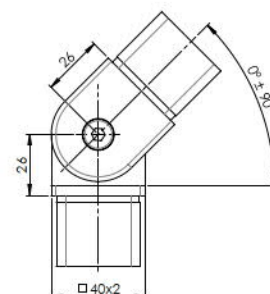
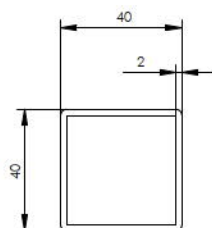
7

FENCE & GATE ACCESSORIES



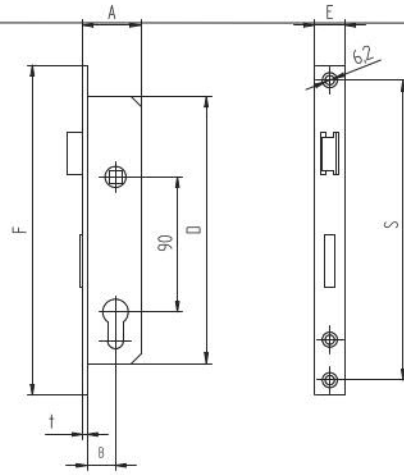


Quality	Finish	art.
Fe	Zn	H/65-40x40



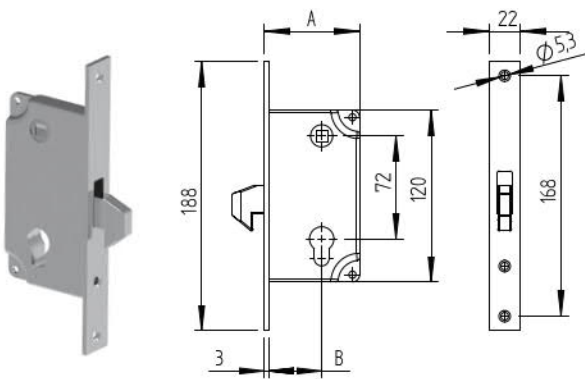
Quality	Finish	art.	L
AISI304	satın	A/40x40x2-3000	3000

Quality	Finish	art.
AISI304	satın	A/4302-040
AISI316	satın	A14/4302-040



optional 4.4

Quality	Finish	art.	A	B	D	E	F	s	t
Fe	Zn	B1/30-25x90	40	22,5	175	22	235	216	2,5



optional 4.4

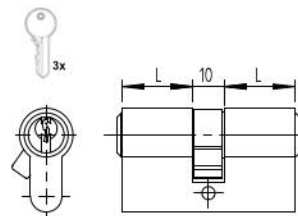
Quality	Finish	art.	A	B
Fe	Zn	H/36-30A	56	27

TO COVER 5mm predrilled holes, use plastic covers B1/64G-D5

1x Ø18 B8/30-30x85

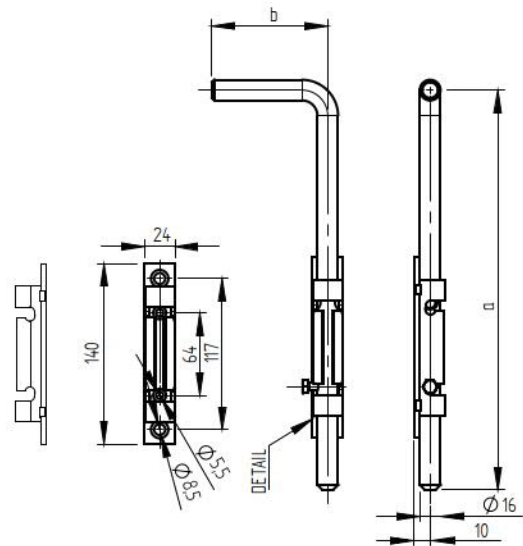
1x Ø18 H/36-30A

Mechanization



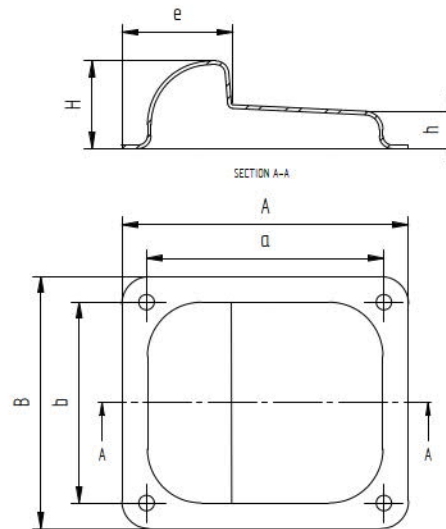
optional 4.6

Quality	Finish	Effect	art.	L
BRASS	Ni	-	B1/19N	22,5
			B1/19N-60	25
			B1/19N-70	30
			B1/19N-80	35
	matte	RAL 9005	B1/19N-R9005	22,5
			B1/19N-60-R9005	25
			B1/19N-70-R9005	30
			B1/19N-80-R9005	35



optional 6.1

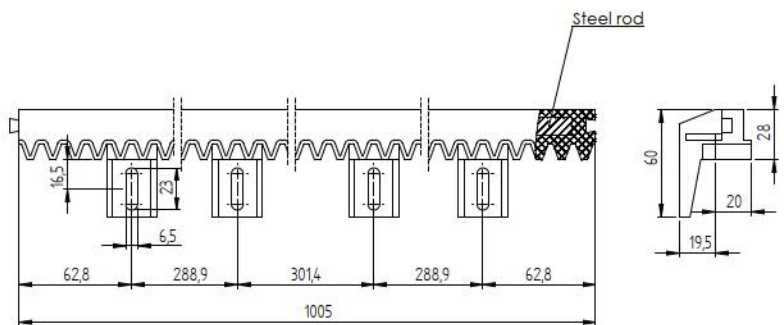
Quality	Finish	art.	a	b	
AISI304	natural	D8/12-300	300	90	✓
		D8/12L-500	500		



optional 6.1

Quality	Finish	art.	A	a	B	b	H	h	e
AISI304	natural	B8/32	158	130	138	110	50	22	60
		B8/32-S	120	95	100	75	42	20	45

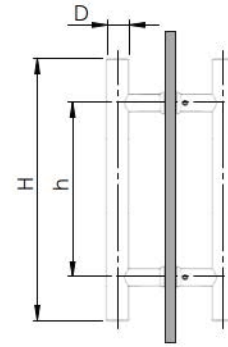
RACKS RLG / CLG



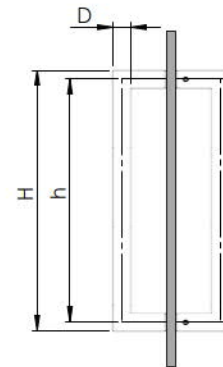
optional 3.4

Quality	Finish	art.	Module	Gmax (kg)	H/01PVC-J-BS	H/01PVC-FS-J
PVC	raw	H/01PVC-J-BS	4	300	1x	-
		H/01PVC-J			1x	1x
		H/01PVC-J-2PACK			2x	2x

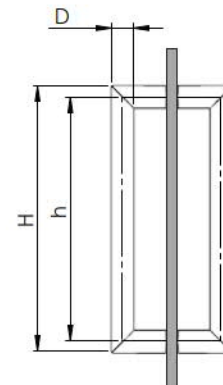
optional



Quality	Finish	Effect	art.	D	H	h
AISI304	satin	-	GS-304/M1-25-300/S	25	300	200
	matte	RAL 9005	GS-BLACK/M1-25-300/S			
	satin	-	GS-304/M1-25-400/S		400	300
			GS-304/M1-25-500/S		500	400

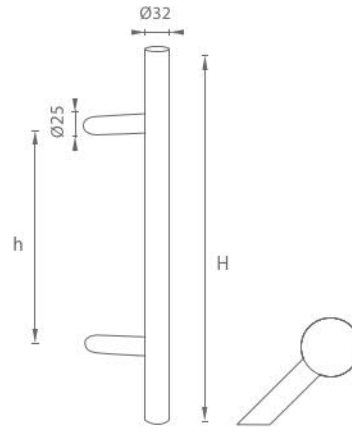


Quality	Finish	Effect	art.	D	H	h
AISI304	satin	-	GS-304/M3-20-300/S	20	320	300
			GS-304/M3-20-400/S		420	400
			GS-304/M3-20-500/S		520	500
	matte	RAL 9005	GS-BLACK/M3-20-500/S		520	500



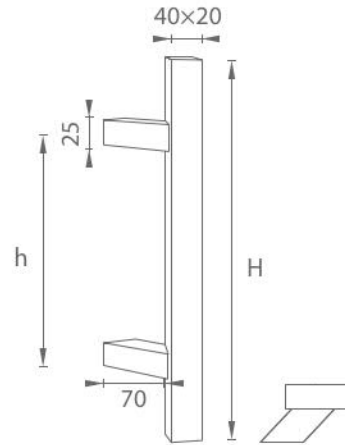
Quality	Finish	art.	D	H	h
AISI304	satin	GS-304/M4-25-400/S	25	420	400
		GS-304/M4-25-500/S		520	500

optional



Quality	Finish	Effect	art.	H	h
AISI304	satin	-	GS-304/M5-32-500-45-S	500	300
			GS-304/M5-32-1200-45-S	1200	1000
	matte	RAL 9005	GS-BLACK/M5-32-500-45	500	300
			GS-BLACK/M5-32-1200-45	1200	1000

new



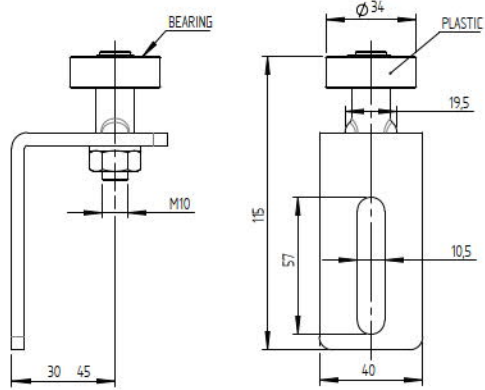
Quality	Finish	Effect	art.	H	h
AISI304	satin	-	GS-304/M6-20x40-500-45-S	500	300
			GS-304/M6-20x40-1200-45-S	1200	1000
	matte	RAL 9005	GS-BLACK/M6-20x40-500-45	500	300
			GS-BLACK/M6-20x40-1200-45	1200	1000

new



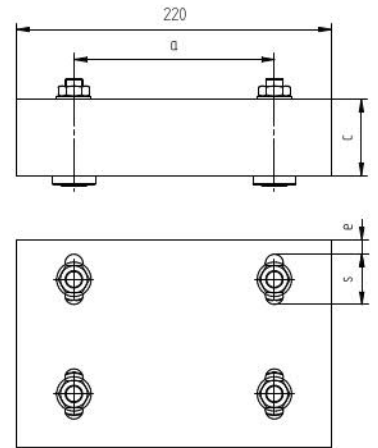
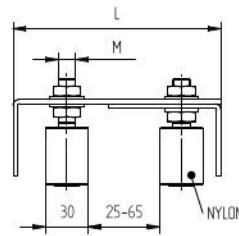
optional 3.2

Quality	Finish	Effect	art.	
Fe	Zn	-	H/53	U/40x40
		RAL 9005	H/53-R9005	
		RAL 7016	H/53-R7016	
AISI304	raw	-	H8/53	



optional 3.1 3.2

Quality	Finish	Effect	art.	L	a	c	e	s	M
Fe	Zn	-	H/12-4T	140-180	140	53	10	35	12
		RAL 9005	H/12-4T-R9005						
		RAL 7016	H/12-4T-R7016						
AISI304	raw	-	H8/12-4T	135-175	155	56	16	58	14



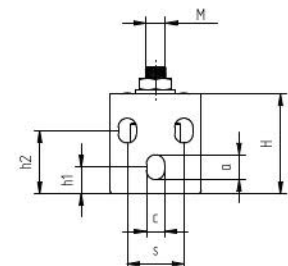
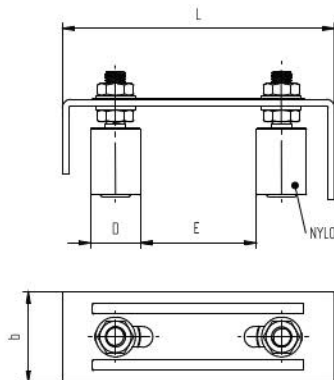
7

FENCE & GATE ACCESSORIES

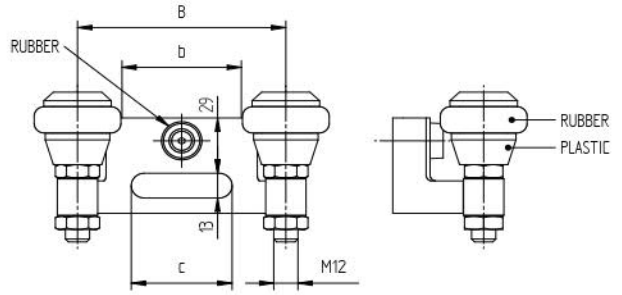


optional 3.1 3.2

Quality	Finish	Effect	art.	L	a	b	c	D	E	h1	h2	H	s	M
Fe	Zn	-	H/12-2	165	-	68	-	41	25-65	-	-	64	-	16
		-	H/12-2S											
		RAL 9005	H/12-2S-R9005											
Fe	Zn	RAL 7016	H/12-2S-R7016	164	15	57	11	30	35-85	14	36	60	34	12
		AISI304	raw	-	H8/12-2S									

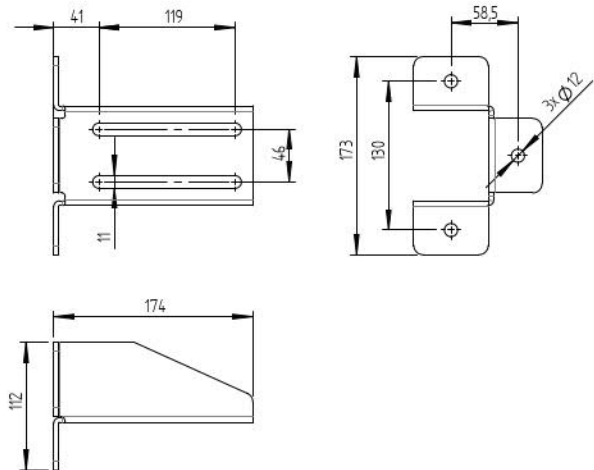






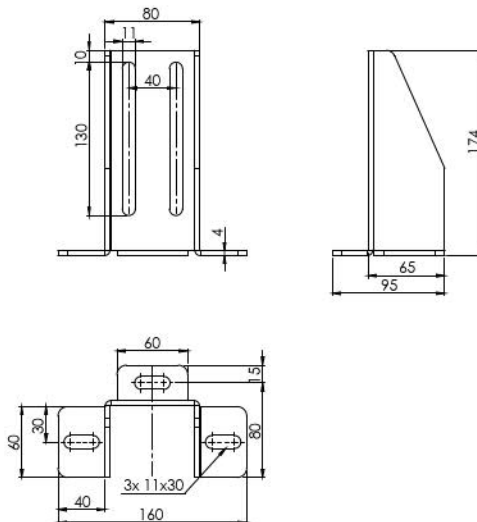
optional 5.1

Quality	Finish	Effect	art.	b	c	B
Fe	Zn	-	H/37-40P	40	50	83
		RAL 9005	H/37-40P-R9005			
		RAL 7016	H/37-40P-R7016			
AISI304	raw	-	H8/37-40P			
Fe	Zn	-	H/37-60P	60	50	103
		RAL 9005	H/37-60P-R9005			
		RAL 7016	H/37-60P-R7016			
AISI304	raw	-	H8/37-60P			
Fe	Zn	-	H/37-80P	80	60	123



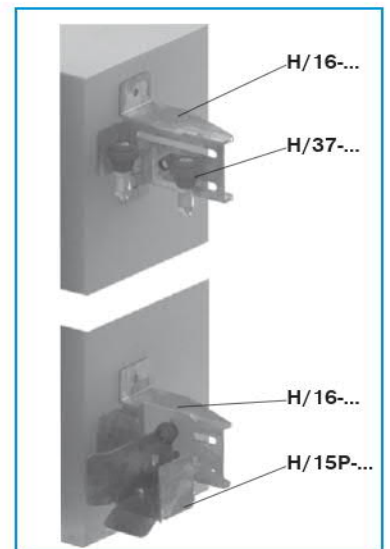
optional 5.2

Quality	Finish	Effect	art.
Fe	Zn	-	H/16-46x130
		RAL 9005	H/16-46x130-R9005
		RAL 7016	H/16-46x130-R7016
AISI304	raw	-	H8/16-46x130

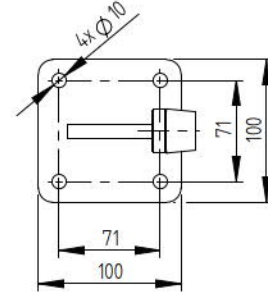
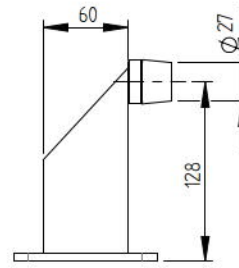


optional 5.2

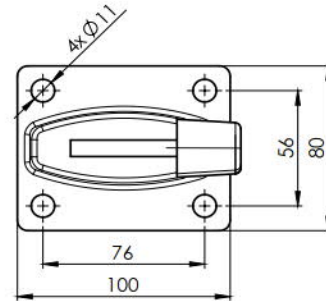
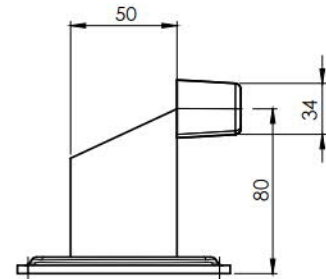
Quality	Finish	Effect	art.
Fe	Zn	-	H/16-40x130-S



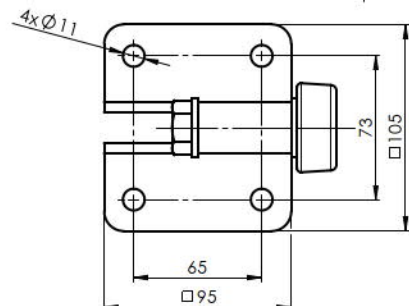
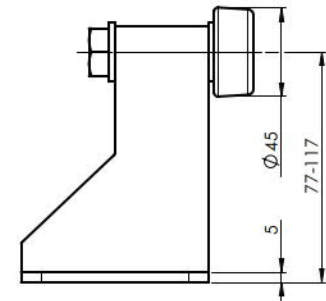
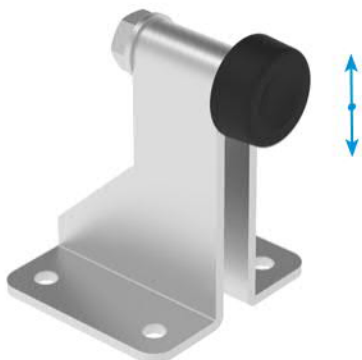
optional



Quality	Finish	Effect	art.
		-	H/10B-60x130
Fe	Zn	RAL 9005	H/10B-60x130-R9005
		RAL 7016	H/10B-60x130-R7016
AISI304	raw	-	H8/10B-60x130

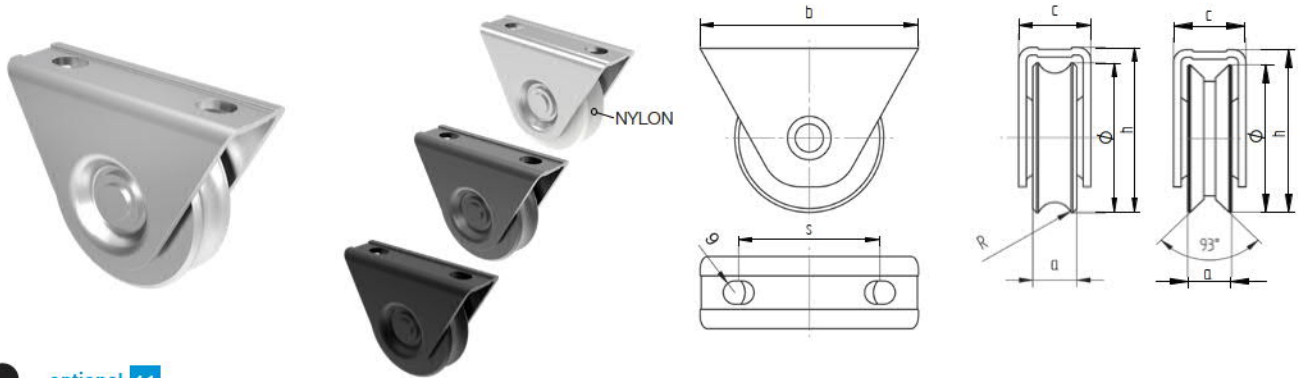


Quality	Finish	Effect	art.
		-	H/10B-50x80
Fe	Zn	RAL 9005	H/10B-50x80-R9005
		RAL 7016	H/10B-50x80-R7016



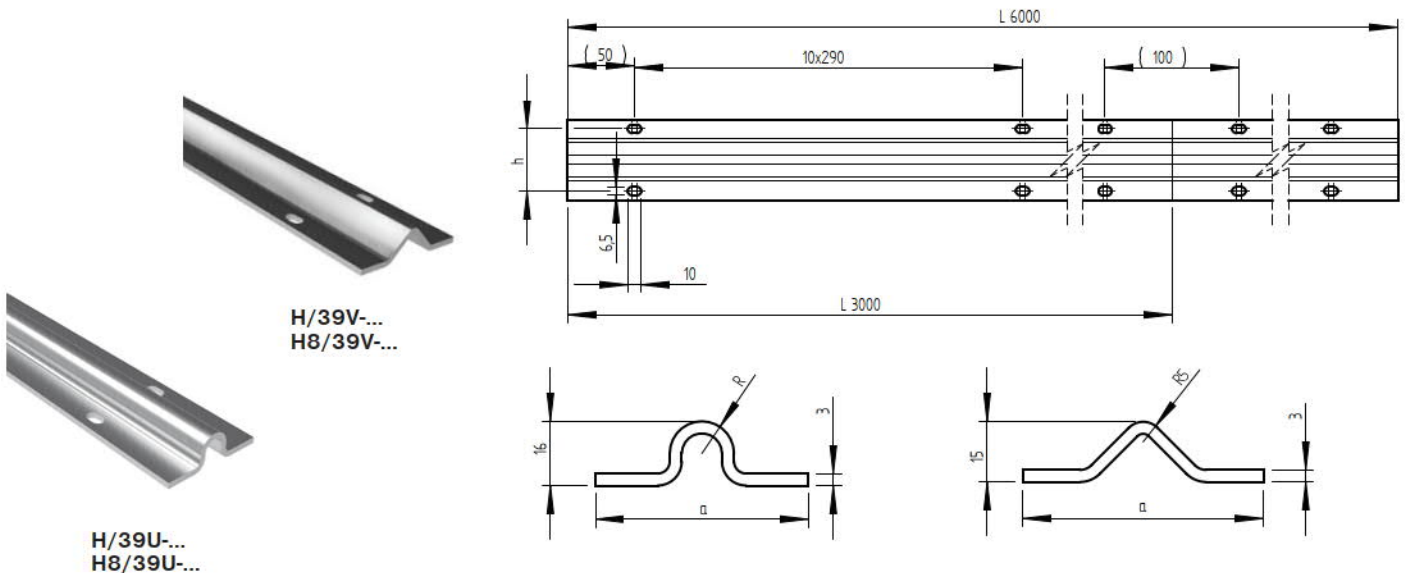
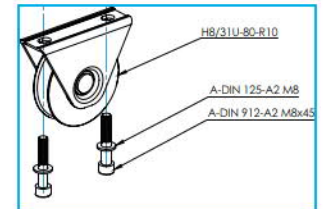
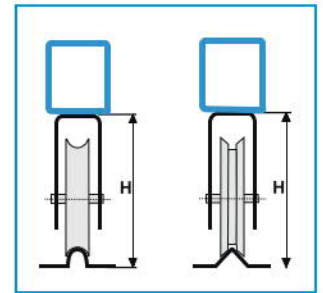
Quality	Finish	Effect	art.
Fe	Zn	-	H/10B-50x120

thermal expansion 0,02mm/1m/1°C



optional 4.1

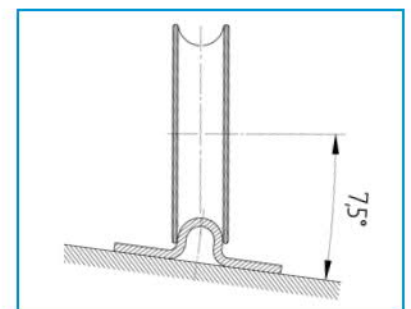
Quality	Finish	Effect	art.	∅	H	h	R	a	b	c	s	Gmax/2pcs (kg)				
Fe	Zn	-	H/31U-60													
		RAL 9005	H/31U-60-R9005	58	75	64		17	85	27	55		200			
		RAL 7016	H/31U-60-R7016													
		-	H/31U-80C					8								
		RAL 9005	H/31U-80C-R9005					20						✓		
		RAL 7016	H/31U-80C-R7016	78	95	85			100	35	70		300			
AISI304	raw		H8/31U-80-R10					10	23							
			H8/31U-80-R10-NYLON						25							
Fe	Zn	-	H/31U-100	98	115	105	8	22	132		102		400			
			H/31V-60							27						
AISI304	raw		H8/31V-60-NYLON							28						
		RAL 9005	H/31V-60-R9005	58	75	64		17	85		55		200			
		RAL 7016	H/31V-60-R7016							27						
		-	H/31V-80C													
		RAL 9005	H/31V-80C-R9005											✓		
		RAL 7016	H/31V-80C-R7016	78	95	85		20	100		35		300			
AISI304	raw	-	H8/31V-80													
			H8/31V-80-NYLON													
Fe	Zn	-	H/31V-100	98	115	106		22	132		102		350			

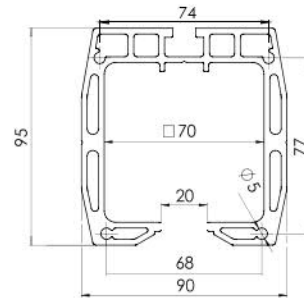
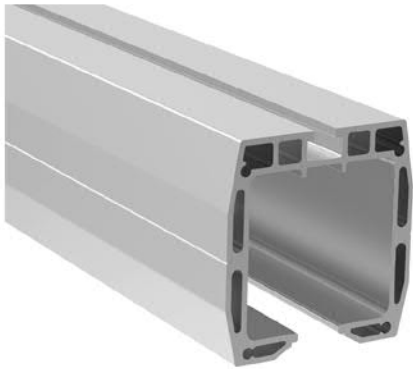


optional 4.4

Quality	Finish	Effect	art.	a	h	R	L		
Fe	Zn		H/39U-3000				3000		
			H/39U-6000	60	46,5	8	6000	✓	
AISI304	raw		H8/39U-3000	55	40	10	3000		
			H8/39U-6000				6000		
Fe	Zn		H/39V-3000				3000		
			H/39V-6000	60	46,5	5	6000		✓
AISI304	raw		H8/39V-3000				3000		
			H8/39V-6000				6000		

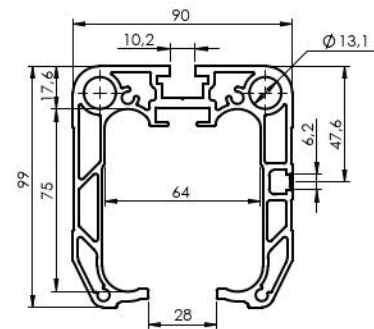
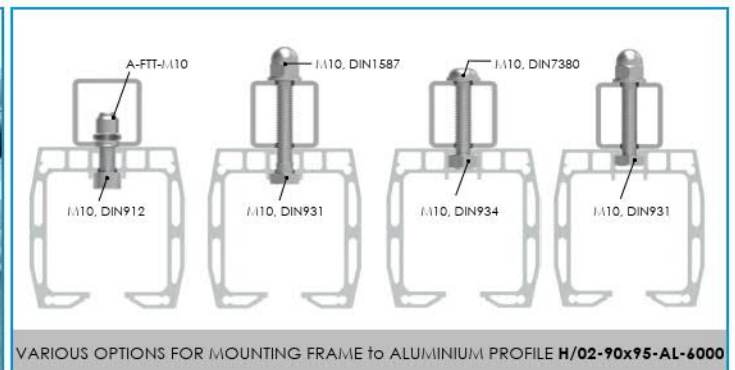
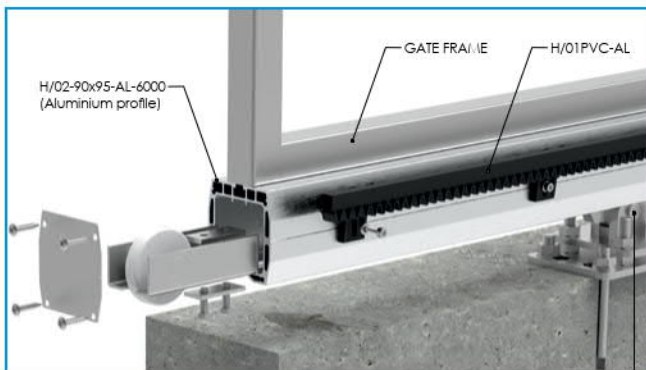
top





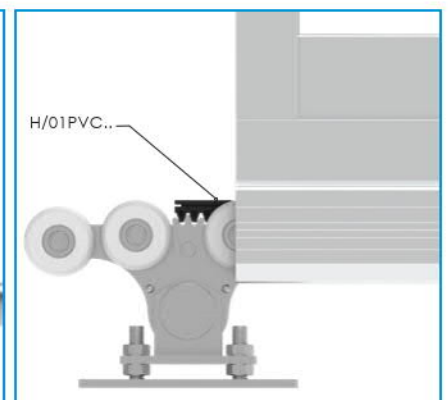
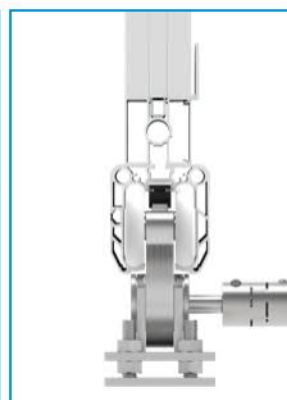
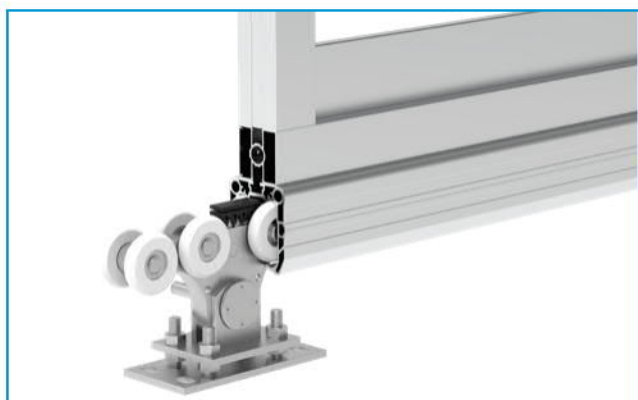
optional 4.1

Quality	Finish	Effect	art.	L
ALUMINIUM	natural	-	H/02-90x95-AL-6000	6000
	matte	RAL 7016	H/02-90x95-AL-6000-R7016	



optional 4.1

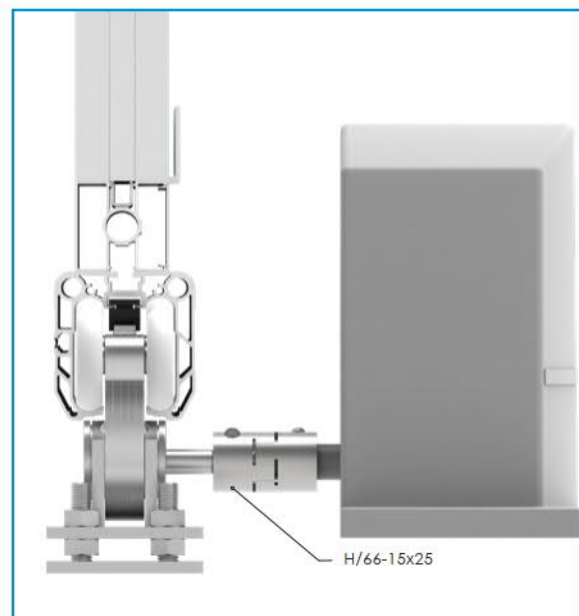
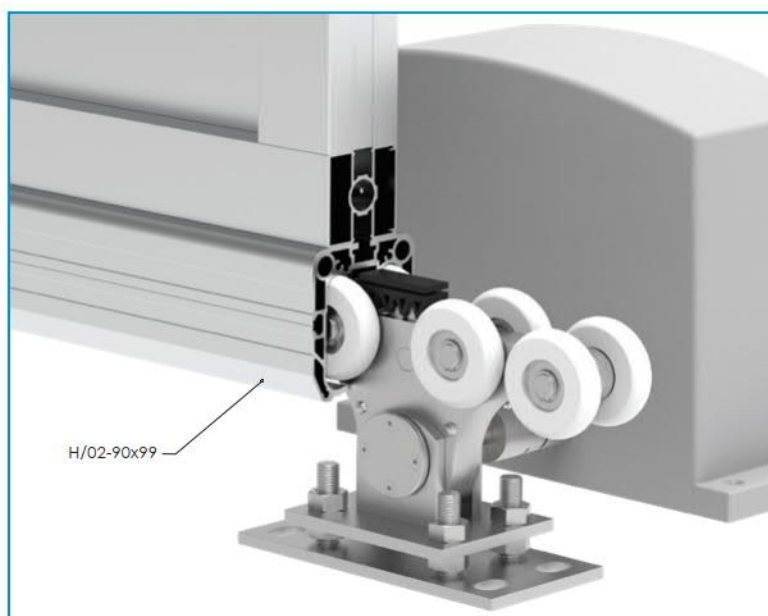
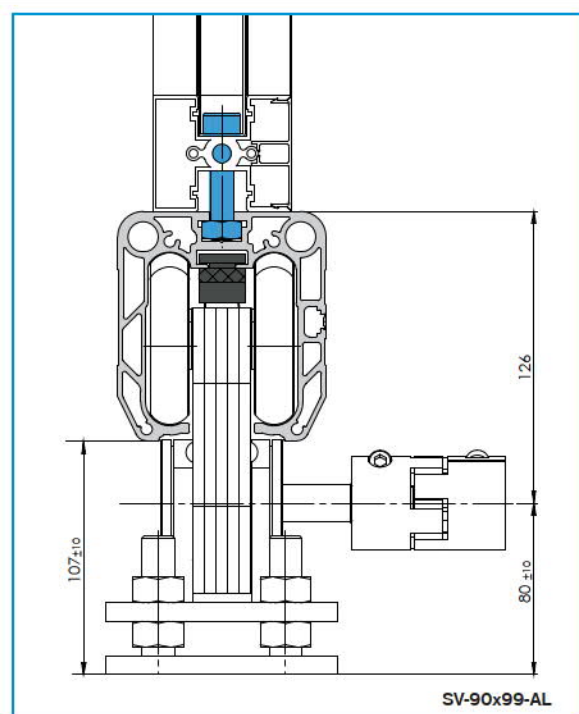
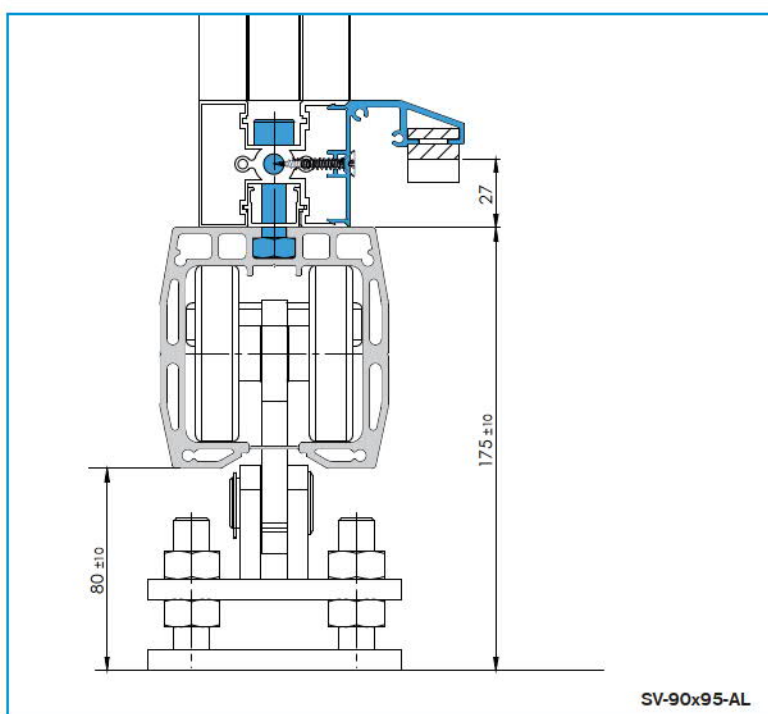
Quality	Finish	Effect	art.	L
ALUMINIUM	natural	-	H/02-90x99-AL-6000	6000
	matte	RAL 7016	H/02-90x99-AL-6000-R7016	
	natural	-	H/02-90x99-AL-7000	7000



thermal expansion 0,02mm/1m/1°C

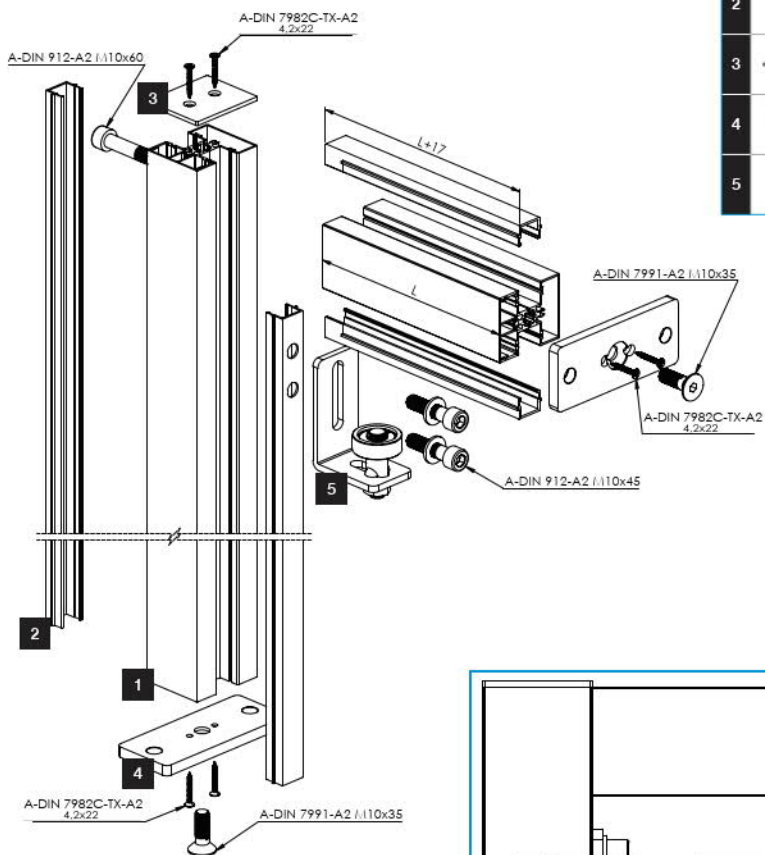
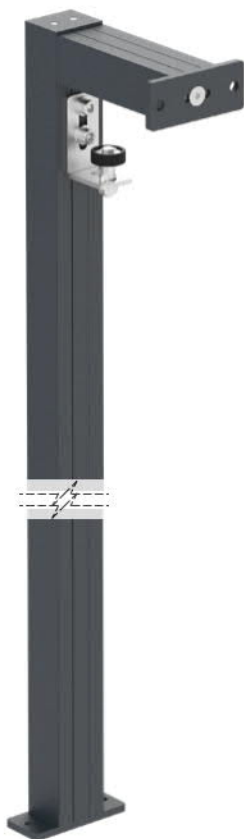
<b>MODEL AI</b> <b>90x95</b> <b>L4m/G<sub>6</sub>200kg</b> 					
	H/34-4-90x95-NYLON	H/14N-90x95-NYLON	H/15P-100	H/40-90x95P	H/02-90x95-AL-6000
SV-90x95-AL-ECO	2x	1x	1x	2x	-
SV-90x95-AL	2x	1x	1x	2x	1x

<b>MODEL AI</b> <b>90x99</b> <b>L4m/G<sub>6</sub>200kg</b> 						
	H/34B-4-90x99-NYLON	H/34B-4G-90x99-NYLON	H8/14N-90x95	H8/15P-100	H8/40-90x99P	H/02-90x99-AL-6000
SV-90x99-AL-ECO	1x	1x	1x	1x	2x	-
SV-90x99-AL	1x	1x	1x	1x	2x	1x

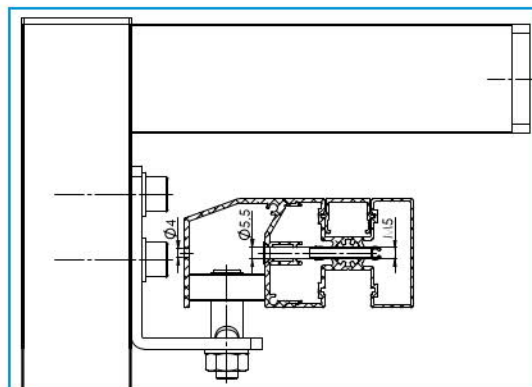


UPPER GUIDE SYSTEM 60x50 POST - STANDARD version

optional

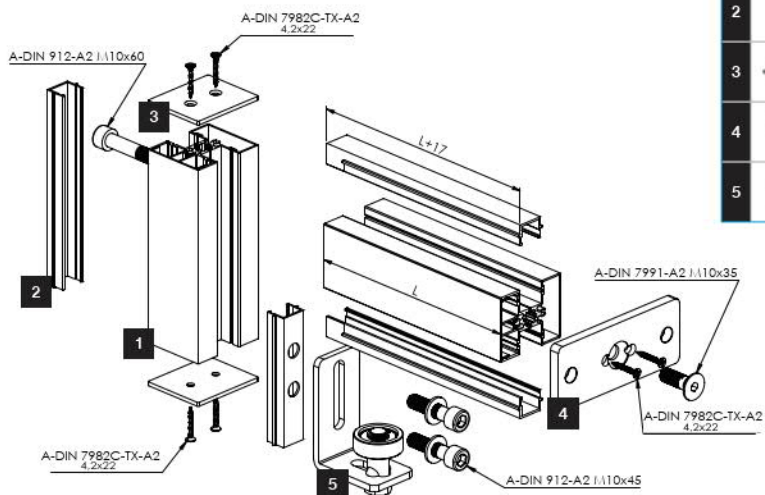


N.	IMAGE	ART.
1		FG/P50x60-...
2		FG/PC20x16-...
3		FG/CP50x60-R7016
4		FG/BP120x50x8-R7016
5		H8/53



UPPER GUIDE SYSTEM 60x50 POST - MINI version

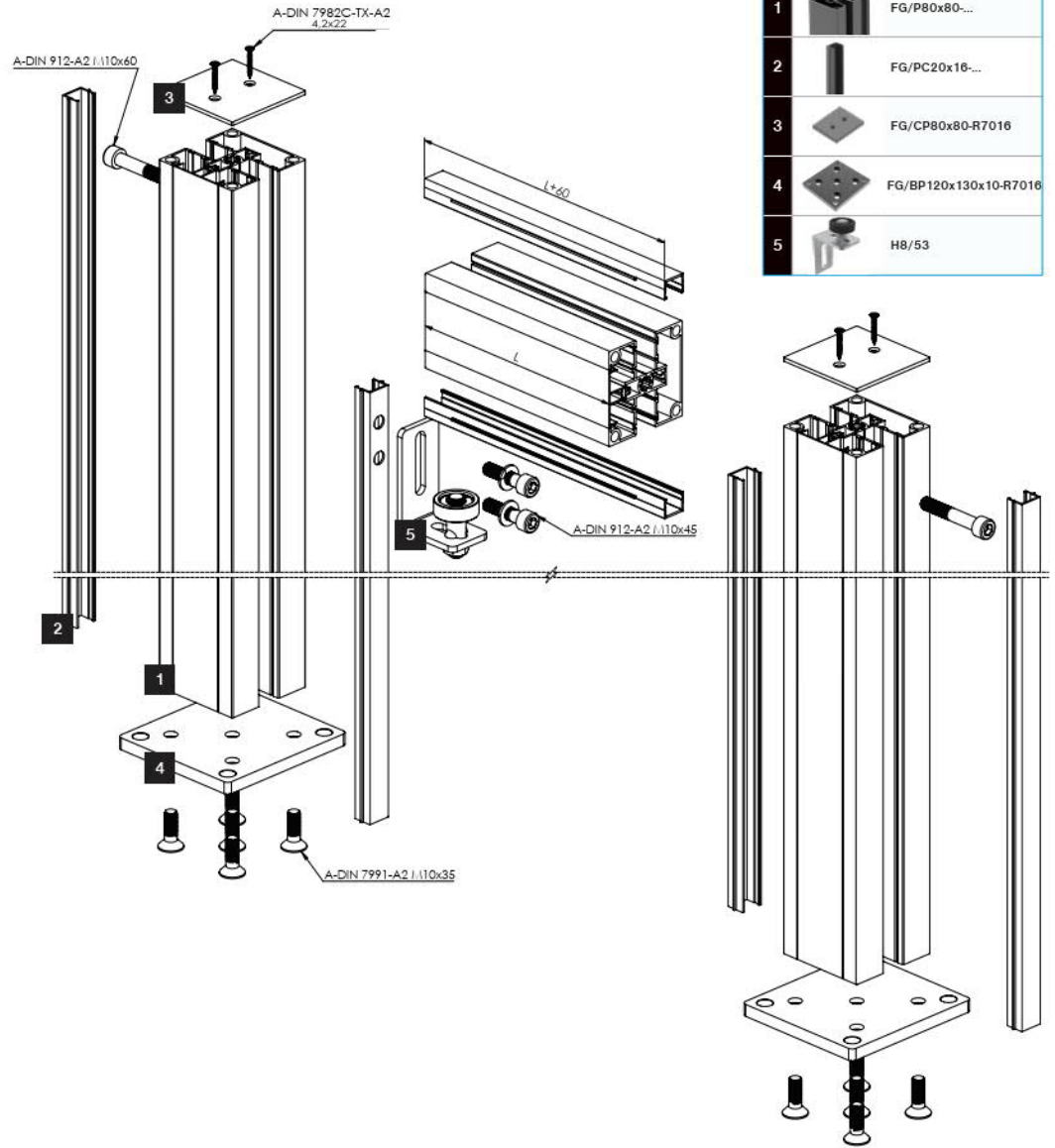
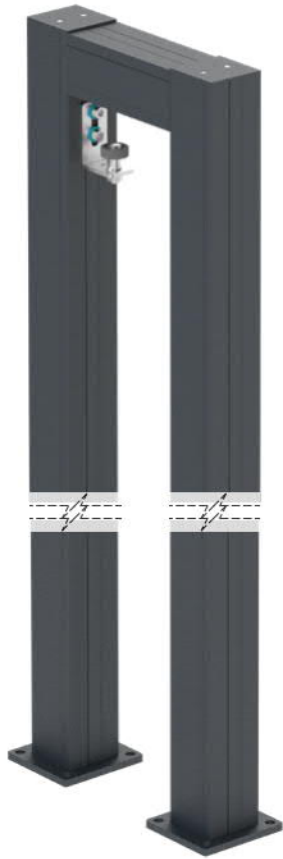
optional



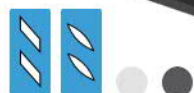
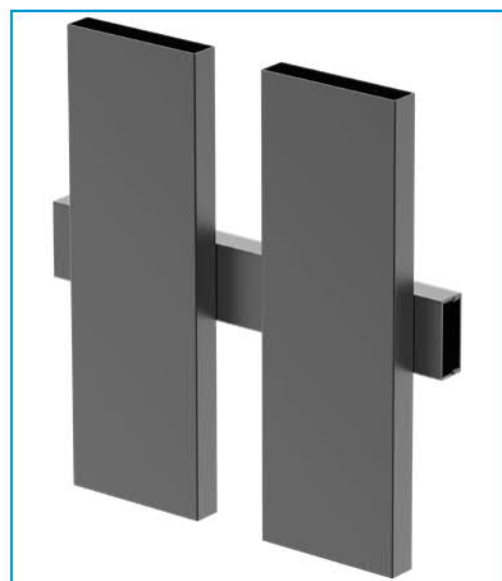
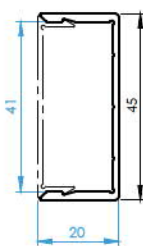
N.	IMAGE	ART.
1		FG/P50x60-...
2		FG/PC20x16-...
3		FG/CP50x60-R7016
4		FG/BP120x50x8-R7016
5		H8/53

UPPER GUIDE SYSTEM 80x80 POST - HEAVY version

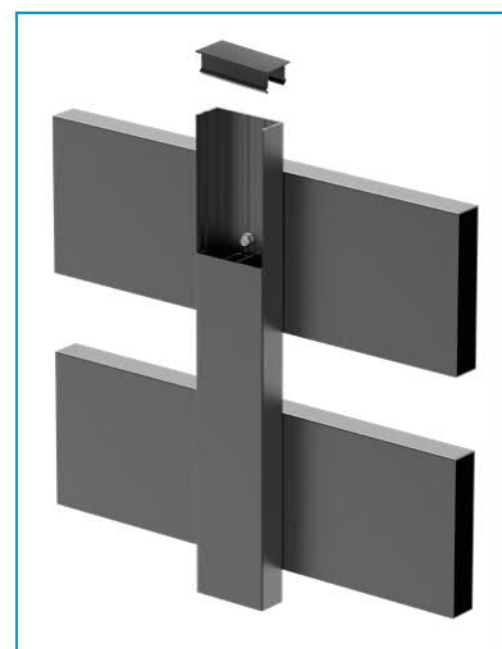
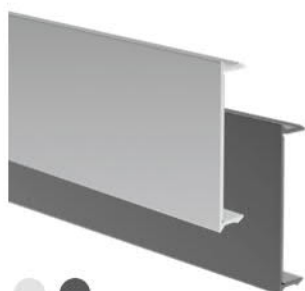
optional



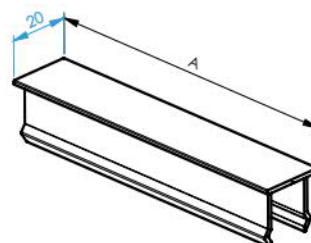
N.	IMAGE	ART.
1		FG/P80x80-...
2		FG/PC20x16-...
3		FG/CP80x80-R7016
4		FG/BP120x130x10-R7016
5		H8/53



Material	Finish	Effect	art.	L
ALUMINIUM	matte	RAL 7016	FG/AL40U-1850-R7016	1850
		-	FG/AL40U-6000-R7016	6000
	natural	-	FG/AL40U-6000-N	6000

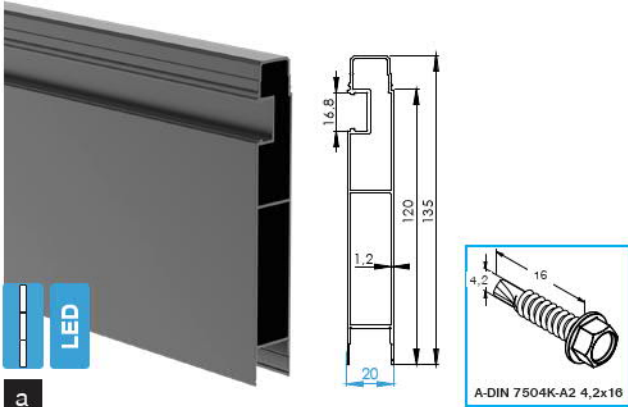


Material	Finish	Effect	art.	L
ALUMINIUM	matte	RAL 7016	FG/AF41x9-1850-R7016	1850
		-	FG/AF41x9-6000-R7016	6000
	natural	-	FG/AF41x9-6000-N	7000



Quality	Finish	Effect	art.	A
ALUMINIUM	matte	RAL 7016	FG/SC20x45-R7016	45

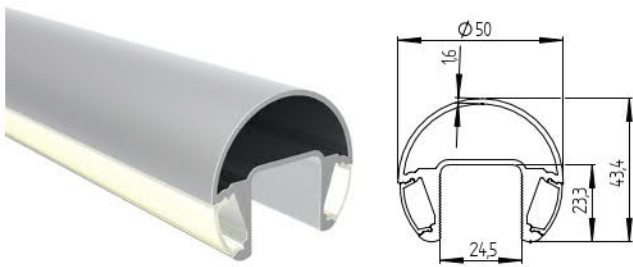




Material	Finish	Effect	art.	L	MOUNT system
ALUMINIUM	matte	RAL 7016	FG/F20-LED-2000-R7016	2000	F4
			FG/F20-LED-6000-R7016	6000	



Material	art.	L	MOUNT system
PVC raw	A19/23x24-LED-PVC	2500	F4



Quality	Finish	Effect	art.	L	LED
ALUMINIUM	satin	-	AL/6920-050-LED-S-E	6000	✓
		elox	AL/6920-050-LED-S-EB		
		black	AL/6920-050-LED-S-EB		



Quality	Finish	art.	Glass t	L
Rubber EPDM	black (exterior)	A19/5042-21-2500		2500
		A19/5042-21-5000	20,76-21,52	5000
		A19/5042-21-6000		6000

# 8

## REALIZATIONS DESIGN GALLERY



02



03



04



05





09



10

8

REALIZATIONS  
DESIGN GALLERY



11



12



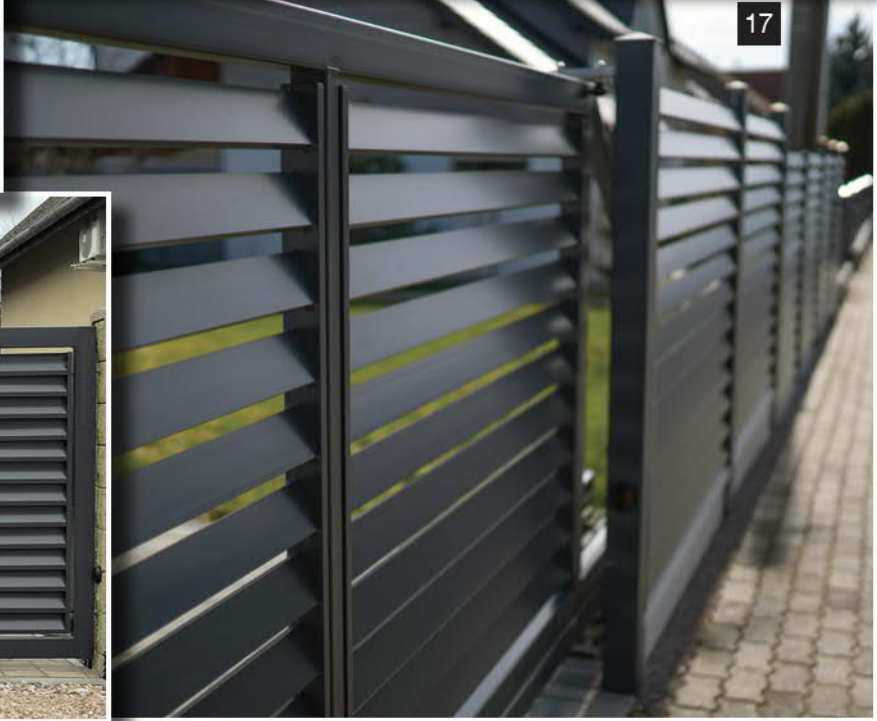
13







15



17



16



8

APPLICATIONS  
DESIGN GALLERY







19



8  
APPLICATIONS  
DESIGN GALLERY







20





21

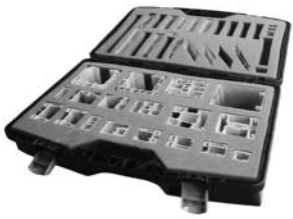




Art. **FG/SAMPLE...** *new*



Art. profile sample  
**PNL/G04-23x15** AL/0004-PRO  
**PNL/G05-23x15** AL/0004-LIGHT  
**PNL/G06-23x15** AL/0006-UNO  
**PNL/G07-23x15** AL/0005-UNO  
**PNL/G08-23x15** AL/0011-ProXL



Art. **REK-CASE-FG** *new*



Art. **REK-CASE-ALU**



Art. **REK-CASE-ALU-FLEX** *new*



Art. **REK-CASE-INOX3**



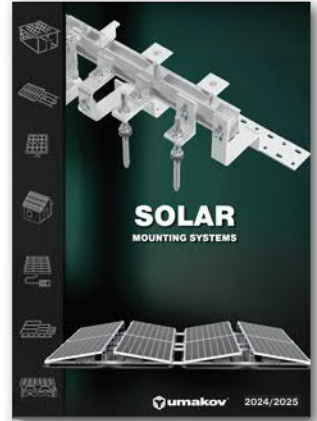
Art. **KAT-ALU-SYSTEMS 25-26**



Art. **KAT-GATES 24-25**



Art. **KAT-AUTIOMATIONS 25-26**



Art. **KAT-SOLAR SYSTEMS 24-25**



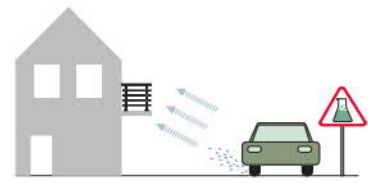
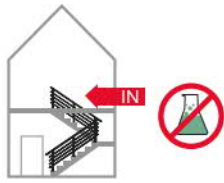
Art. **KAT-GLASS RAILINGS 24-25**



Art. **KAT-POST RAILINGS 24-25**



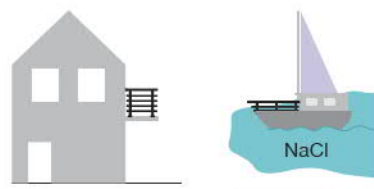
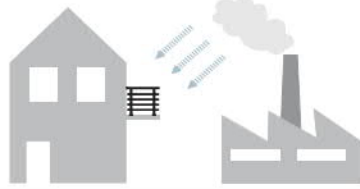
Art. **KAT-GLASS SYSTEMS 25-26**



INOX			ALUMINIUM	ZAMAK
AISI304	AISI316	S.S. 2205		
✓	✓	✓	✓	✓

INOX			ALUMINIUM	ZAMAK
AISI304	AISI316	S.S. 2205		
✓	✓	✓	✓	✗

INOX			ALUMINIUM	ZAMAK
AISI304	AISI316	S.S. 2205		
✗	✓	✓	✓	✗



INOX			ALUMINIUM	ZAMAK
AISI304	AISI316	S.S. 2205		
✗	✓	✓	✓	✗

INOX			ALUMINIUM	ZAMAK
AISI304	AISI316*	S.S. 2205		
✗	✓	✓	✓	✗

INOX			ALUMINIUM	ZAMAK
AISI304	AISI316	S.S. 2205		
✗	✗	✓	✗	✗

\* only mirror finish (polished)

material	<b>AISI304</b>	nerezová ocel	stal nierdzewna	rozsdamentes acél	stainless steel	Edelstahl	INOX
	<b>AISI316</b>						
	<b>S.S. 2205</b>						
	<b>CORTEN</b>	corten ocel	corten stal	corten acél	corten steel	Cortenstahl	corten
	<b>ALUMINIUM</b>	hlinik	aluminium	aluminium	aluminium	Aluminium	aluminium
	<b>ZAMAK</b>	zliatina Zn+Al	stop cynku i aluminium	Zn+Al ötvözet	ZAMAC	Zinkdruckguss	alliage Zn+Al
	<b>Fe</b>	železo	żelazo	vas	iron	Eisen	fer
	<b>Zn</b>	zinok	cynk	cink	zinc	Zink	zinc
	<b>Brass</b>	mosadz	miedź	sárgaréz	brass	Messing	laiton
	<b>PVC</b>	polyvinyl chloride					
<b>PETG</b>	polyethylene terephthalate glycol						
<b>Rubber</b>	guma	guma	gumi	rubber	Gummi	gomme	
<b>Beech</b>	buk	buk	bükk	beech	Buche	hêtre	
<b>Oak</b>	dub	dąb	tölgy	oak	Eiche	chêne	
<b>Spruce</b>	smrek	świerk	lucfenyő	spruce	Fichte	épicéa	
<b>VSG/ESG</b>	sklo	szkło	üveg	glass	Glas	verre	
finish/effect	<b>satin</b>	brus K320	szlif K320	szálcsiszolt K320	brushed K320	geschliffen K320	brossé K320
	<b>silver</b>	strieborný	srebro	ezüst	silver	Silber	argent
	<b>polish</b>	lesk	polerowany	tükör polírozott	polished	poliert	poli
	<b>raw</b>	surový	surowy	nyers	raw	roh	brossé
	<b>natural</b>	nebrúsený	neszlifovany	natúr	rough	ungeschliffen	non-brossé
	<b>INOX</b>	nerez	nierdzewny	rozsdamentes	inox	Edelstahl	inox
	<b>ELOX</b>	eloxovaný	anodowany	eloxált	elox	Eloxiert	anodisé
		mechanizácia	mechanizacja	gépesítés	mechanization	Mechanisierung	modification nécessaire
		nezmontované	niezłożone	nem összeszerelt	not assembled	unmontiert	non assemblé
		približný rozmer	przybliżone wymiary	közelitő méretek	approximate dimension	die Abmessungen sind ungefähr	dimensions approximatives
	bestseller	bestseller	legjobban eladott	best seller	Bestseller	best-seller	
	novinka	nowość	új	new	Neuheit	nouveau	
	RAL color						
	PVD = (physical vapor deposition) coating PVD-L = polished surface finish						
	LED						

- INOX AISI 304**  
- vhodný do prostredia bez chlóru a oxidu siričitého
- INOX AISI 316**  
- vhodný do prostredia s vysokým obsahom chlóru, oxidu siričitého, vysokej vlhkosti, do prímorských regiónov
- INOX S.S. 2205**- vhodný do prostredia s vysokým obsahom chlóru, oxidu siričitého, vysokej vlhkosti s prítomnosťou soli na pobreží a na voľnom mori.
- INOX AISI 304**  
- suitable for the environment without chlorine and sulphur dioxide load
- INOX AISI 316**  
- suitable for the environment with a high content of chlorine, sulphur dioxide load, high humidity, coastal regions
- INOX S.S. 2205**  
- Suitable for environments with a high content of chlorine, sulfur dioxide, high humidity with salt on the coast and on the high seas.
- INOX AISI 304**  
- przeznaczony dla środowiska bez dwutlenku siarki oraz chloru
- INOX AISI 316**  
- przeznaczony dla środowiska o wysokiej zawartości dwutlenku siarki oraz chloru, wysokiej wilgotność oraz w regionach nadmorskie
- INOX S.S. 2205**  
- Nadaje się do środowisk o wysokiej zawartości chloru, dwutlenku siarki, o wysokiej wilgotności, o dużym zasoleniu, w strefach nadmorskich, lub w bezpośrednim kontakcie z wodą morską.
- INOX AISI 304**  
- alkalmazható olyan környezetben, ahol nincs klór és kén-dioxid terhelés
- INOX AISI 316**  
- alkalmazható olyan környezetben, ahol magas a klór-, vagy kén-dioxid terhelés, magas a páratartalom, tengerparti régiókban
- INOX S.S. 2205**  
- „Alkalmazható magas klór-, kén-dioxid-, sós nedvességtartalmú környezetben, valamint tengerparton és a nyílt tengeren”.
- INOX AISI 304**  
- geeignet in Umgebung ohne Chlor und Schwefeldioxid
- INOX AISI 316**  
- geeignet in Umgebung mit einem hohen Gehalt an Chlor, Schwefeldioxid oder in Umgebung mit hoher Luftfeuchtigkeit, in Küstenregionen
- INOX S.S. 2205**  
- geeignet für Umgebungen mit hohem Gehalt an Chlor, Schwefeldioxid und hoher Luftfeuchtigkeit mit Salz an der Küste und auf hoher See
- INOX AISI 304**  
- Convenable pour les environnements sans chlore et/ ou bioxyde de soufre
- INOX AISI 316**  
- Convenable pour les environnements avec un contenu élevé de chlore et/ ou de bioxyde de soufre, une grande humidité, régions maritimes
- INOX S.S. 2205**  
- Convenable au milieu avec un contenu élevé du dioxyde de soufre, ainsi qu'au milieu humide contenant du sel, tel que le bord de mer ou la mer ouverte.

TEST / CERTIFICATE




právo na technické, tvarové a rozmerové zmeny vyhradené/ rights to technical, shape and dimensional changes reserved


pre najnovšie informácie navštívte našu webovú stránku [www.umakov.sk](http://www.umakov.sk) / for latest information please visit our web site [www.umakovshop.com](http://www.umakovshop.com)



umakov.sk



 +421 51 488 19 00  
info@umakov.sk

 umakov.sk  
objednavky@umakov.sk

 +421 908 944 153  
+421 910 262 707  
+421 908 986 081

 **SERVIS**  
+421 910 262 820  
+421 911 383 645  
servis@umakov.sk


 **REKLAMÁCIE**  
+421 911 915 952  
reklamacie@umakov.sk


 **ÚČTOVNÉ ODDELENIE**  
+421 902 928 245  
+421 911 750 326  
fakturacia@umakov.sk


 **MARKETING**  
+421 915 781 139  
marketing@umakov.sk


 **KROMPACHY**  
Hornádska 337  
053 42

 **BRATISLAVA**  
Rožňavská 1  
831 04

 **BANSKÁ BYSTRICA**  
Zvolenská cesta 17  
974 05

 +421 911 455 347  
krompachy@umakov.sk


 +421 917 739 412  
+421 904 644 378  
ba@umakov.sk


 +421 905 304 548  
bb@umakov.sk


umakov.cz



 +420 212 240 751  
info@umakov.cz

 umakov.cz  
objednavky@umakov.cz

 +420 608 743 164  
+420 775 455 079  
+420 608 313 799

 **SERVIS**  
+420 775 061 735  
+421 910 262 820

 **REKLAMACE**  
+421 911 915 952

 **ÚČETNÍ ODDELENÍ**  
+421 902 928 245  
+421 911 750 326

servis@umakov.cz

reklamace@umakov.cz


fakturace@umakov.cz

 **PRAHA - OTICE**  
Otice 40  
251 63 Strančice

 **ŘÍČANY U BRNA**  
Nám. Osvození 63  
664 82

 **HRADEC KRÁLOVÉ**  
Náchodská 607  
503 01

 **MORAVANY U BRNA**  
Průmyslová 981/1  
664 48

 +420 608 313 799  
praha@umakov.cz


 +420 608 743 164  
brno@umakov.cz


 +420 778 001 899  
hk@umakov.cz


 +420 774 533 989  
moravany@umakov.cz

umakov.pl



 +48 32 202 19 29  
info@umakov.pl

 umakov.pl  
zamowienie@umakov.pl

 +48 500 110 199  
+48 668 494 940  
+48 517 534 197

 **GDAŃSK**  
+48 735 419 155  
gdansk@umakov.pl

 **RADOM**  
+48 664 855 695  
radom@umakov.pl

 **NOWY SACZ**  
+48 510 696 236  
nowysacz@umakov.pl


 **POZNAŃ**  
+48 602 335 611  
poznan@umakov.pl

 **Ruda Śląska**  
Al. Rodziny Gurtlerów 81  
41-700


 +48 517 534 197  
umakov@umakov.pl


umakov.hu




 +36 306 446 653  
info@umakov.hu

 umakov.hu  
megrendeles@umakov.hu

 +36 306 446 653  
+36 301 610 011  
+36 307 572 009

 **BUDAPEST**  
Kármán Tódor utca 1. A. ép. 1. ajtó  
2142 Nagytarcsa

 +36 305 662 474  
hungary@umakov.hu





**▶ UMAKOV SK**

[www.umakov.sk](http://www.umakov.sk)  
[info@umakov.sk](mailto:info@umakov.sk)

+421 51 488 19 00

**▶ UMAKOV CZ**

[www.umakov.cz](http://www.umakov.cz)  
[info@umakov.cz](mailto:info@umakov.cz)

+420 212 240 751

**▶ UMAKOV PL**

[www.umakov.pl](http://www.umakov.pl)  
[info@umakov.pl](mailto:info@umakov.pl)

+48 32 202 19 29

**▶ UMAKOV HU**

[www.umakov.hu](http://www.umakov.hu)  
[info@umakov.hu](mailto:info@umakov.hu)

+36 306 446 653

**👤 UMAKOV DE / AT**

[www.umakov.de](http://www.umakov.de)  
[info@umakov.de](mailto:info@umakov.de)

+421 907 684 761

**👤 UMAKOV FR**

[www.umakov.fr](http://www.umakov.fr)  
[info@umakov.fr](mailto:info@umakov.fr)

+33 6.46.33.03.51

**👤 UMAKOV IT**

[www.umakov.it](http://www.umakov.it)  
[info@umakov.it](mailto:info@umakov.it)

+39 348 349 0444

**👤 UMAKOV WORLD**

[www.umakovshop.com](http://www.umakovshop.com)  
[info@umakovshop.com](mailto:info@umakovshop.com)

+421 915 093 533